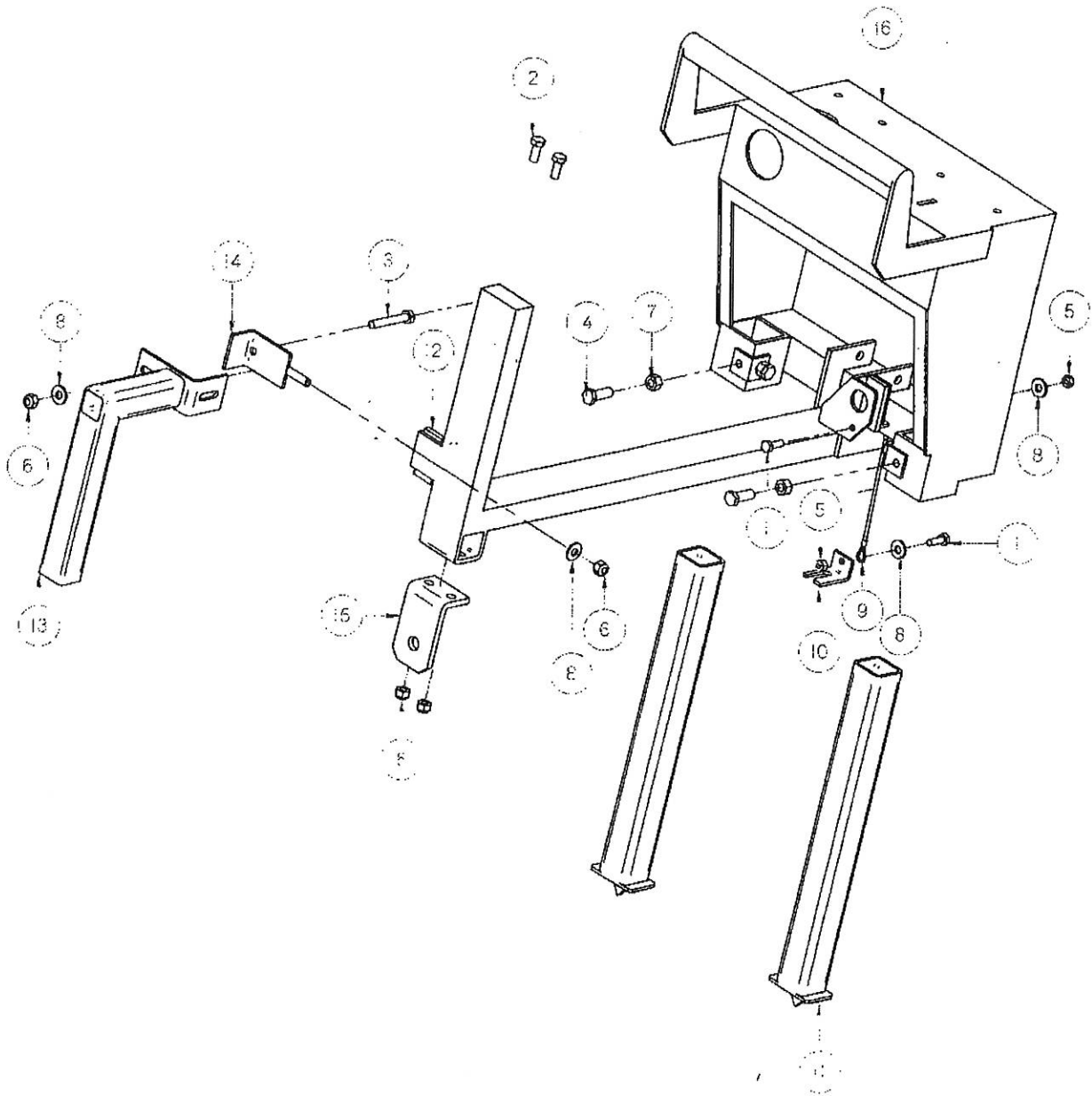


8" DRILL DEPTH FRAME ASSEMBLY



NOTICE: BE SURE TO SPECIFY THE SIZE OF BIT GUIDE 1/2", 5/8", 3/4", 7/8", 1"

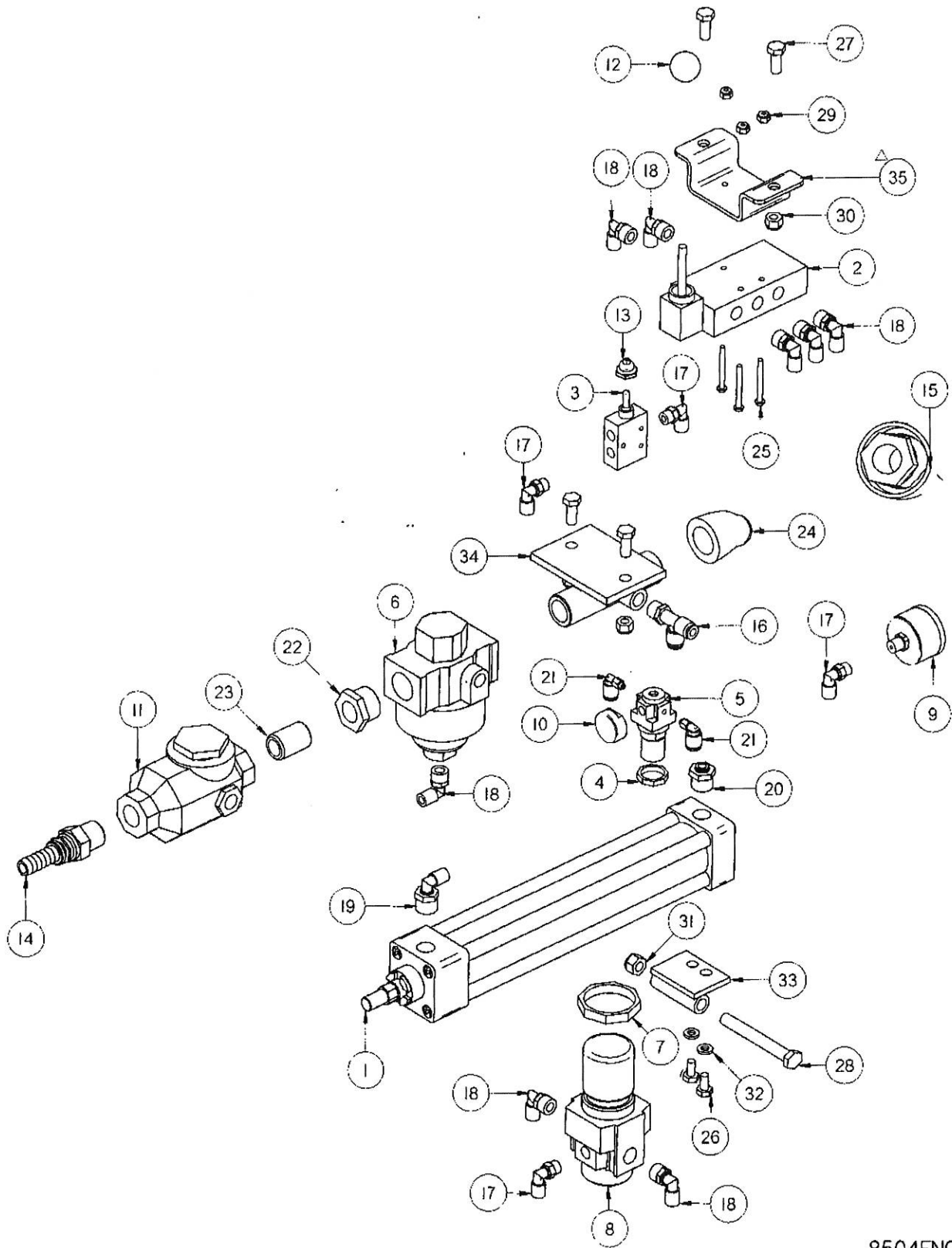
8504FNG-01

8" DRILL DEPTH FRAME ASSEMBLY

Item Number	File Name	Quantity	Description
1	250IBLT.par	2	1/4" X 3/4" BOLT
2	2519BLT.par	2	5/16" X 3/4" BOLT
3	2530BLT.par	1	5/16" X 2" BOLT
4	2538BLT.par	4	3/8" X 1" BOLT
5	2716NUT.par	2	1/4" NYLON LOCK NUT
6	2719NUT.par	4	5/16" NYLON LOCK NUT
7	2725NUT.par	4	3/8" STANDARD NUT
8	280IWAS.par	4	1/4" FLAT WASHER
9	3030PIN.par	1	6" LANYARD WITH LOOPS
10	CRA0229.par	1	MOD 65 CARRIAGE LOCK
11	MFA0603.par	2	REAR LEG
12	MFA0627.par	2	STOP PAD MOD. 65
13	MFA0636.par	1	FRONT STABILIZER BAR
14	MFA0638.par	1	STABILIZER BAR CLAMP
15	MFA0639.par	1	BIT GUIDE FOR MOD. 65 1/2" - 1"
16	MNF0505.par	1	MODEL 65 8" DRILL DEPTH FRAME

8504FNG-02

8" DRILL DEPTH CONTROL PANEL ASSEMBLY



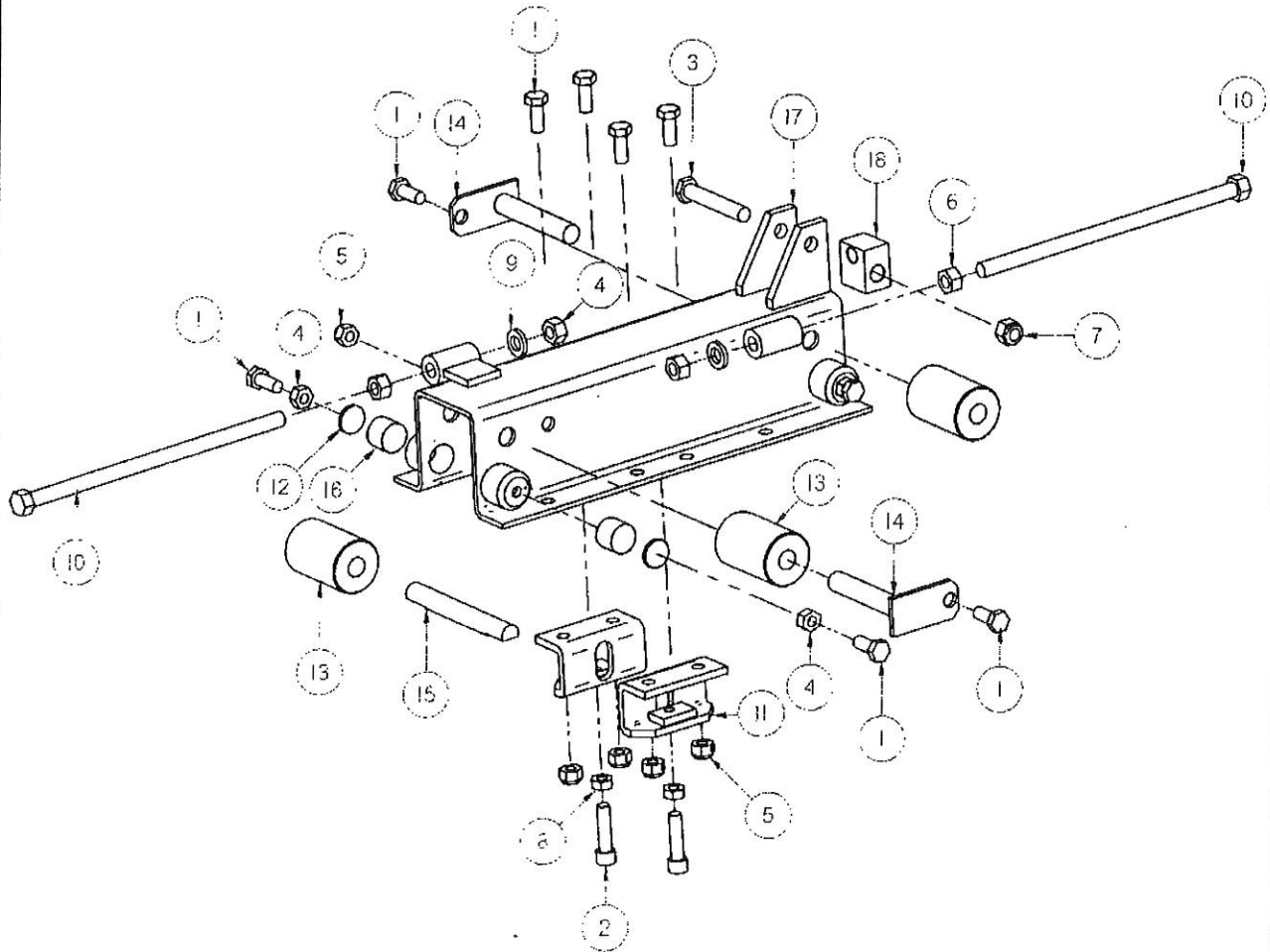
8504FNG-03

8" DRILL DEPTH CONTROL PANEL ASSEMBLY

Item Number	File Name	Quantity	Description
1	050900CYL.asm	1	1 1/2" X 9" CYLINDER
2	060102val.par	1	3 WAY POSITION VALVE WITH KNOB
3	06095val.par	1	TOGGLE SWITCH
4	08108reg.par	1	LOCK RING FOR 08108REG
5	08108reg.par	1	REGULATOR WITH 0-125 MAX PSI
6	08113reg.par	1	3/4" REGULATOR
7	0899reg.par	1	LOCK RING
8	0899reg.par	1	REGULATOR WITH LOCK RING
9	09022gau.par	1	GAUGE 0-60 1/8" MPT
10	09024gau.par	1	GAUGE 0-150 MAX PSI
11	1602oil.par	1	1/2" X 1/2 PINT OILER
12	174201rpt.par	1	KNOB
13	1828gro.par	1	RED BOOT FOR 06095VAL
14	2002fit.par	1	1/2" HOSE SWIVEL
15	20090fit.asm	1	3/4" AUTO LOCKING QUICK COUPLING
16	2035fit.par	1	1/4" X 1/4" MALE RUN T
17	2050fit.par	4	1/4" TO 1/8" 90 DEG. FITTING
18	2051fit.par	8	1/4" TO 1/4" 90 DEG. FITTING
19	2052fit.par	1	1/4" TO 3/8" 90 DEG. FITTING
20	2068fit.par	1	1/4" TO 3/8" MALE CONN. FITTING
21	20754fit.par	2	1/4" TO 10/32" 90 DEG. FITTING
22	20770pft.par	1	3/4" X 1/2" BUSHING
23	2111pft.par	1	1/2" X 1" NIPPLE
24	2148pft.par	1	3/4" 45 DEG. STREET ELL
25	2478blt.par	3	8/32" X 1 1/2" BOLT
26	2502blt.par	2	1/4" X 1/2" BOLT
27	2519blt.par	4	5/16" X 3/4" BOLT
28	2547blt.par	1	3/8" X 3" BOLT
29	2712nut.par	3	8/32" NYLON LOCK NUT
30	2719nut.par	3	5/16" NYLON LOCK NUT
31	2727nut.par	1	3/8" LOCKNUT
32	2802was.par	2	1/4" LOCK WASHER
33	mfa06371.par	1	REAR CYLINDER BRACKET
34	mfa0677.par	1	MANIFOLD
35	srul3460.psm	1	VALVE SPACER

8504FNG-04

CARRIAGE ASSEMBLY



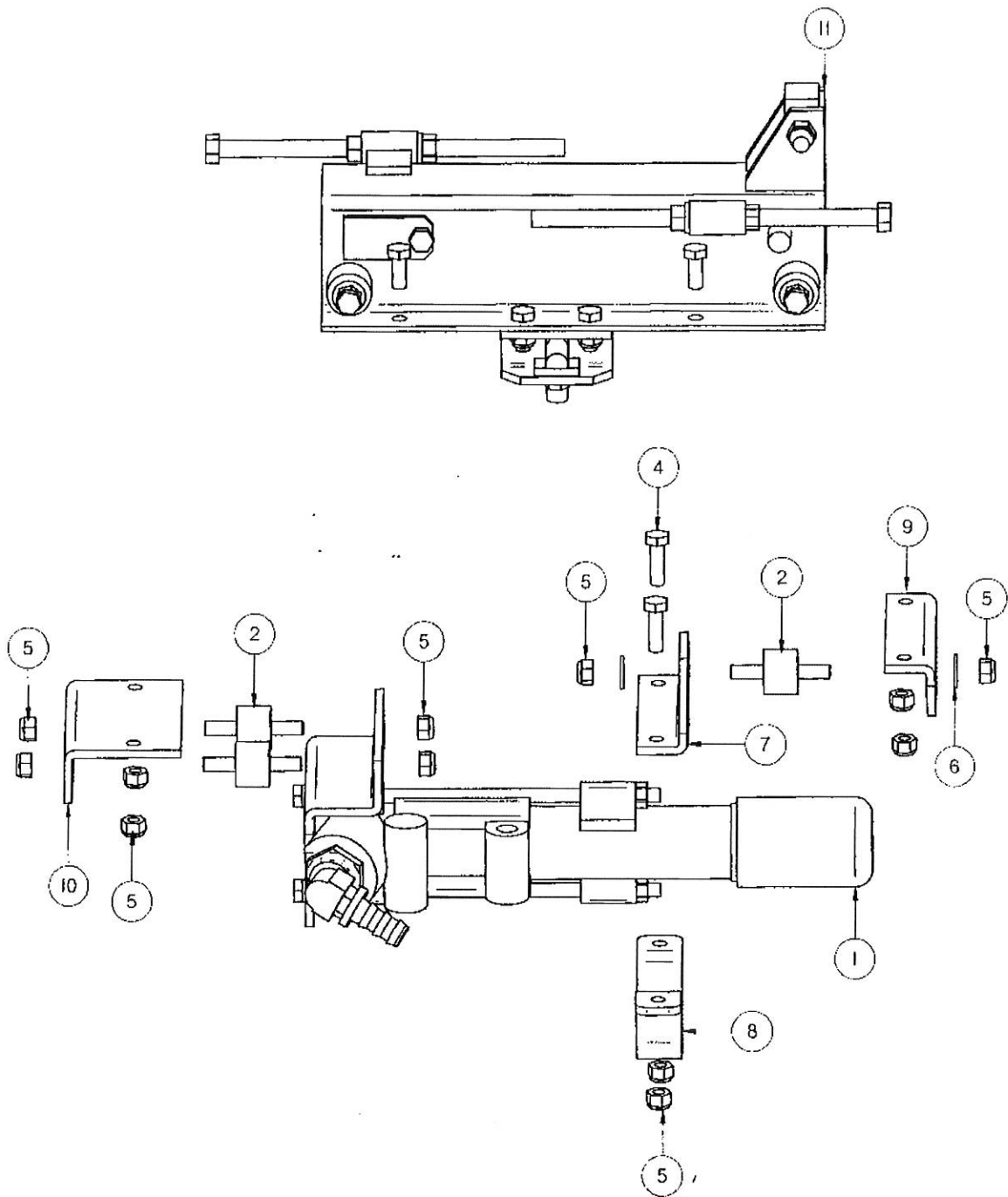
8504FNG-05

CARRIAGE ASSEMBLY

Item Number	File Name	Quantity	Description
1	2519BLT.par	9	5/16" X 3/4" BOLT
2	25420BLT.par	2	3/8" X 1 1/4" SHCS
3	2545BLT.par	1	3/8" X 2 1/4" BOLT
4	2717NUT.par	3	5/16" STANDARD NUT
5	2719NUT.par	5	5/16" NYLON LOCK NUT
6	2725NUT.par	4	3/8" STANDARD NUT
7	2727NUT.par	1	3/8" LOCKNUT
8	276912NUT.par	2	5/16" JAM NUT
9	2821WAS.par	2	3/8" LOCK WASHER
10	CRA0205.par	2	STOP ROD
11	CRA0225.par	2	ADJUSTABLE LOWER BEARING BRACKET
12	CRA0231.par	2	NYLON SLIDE BACKING
13	CRA0232.par	3	ROLLER BEARIN DRUM
14	CRA02340.par	2	AXLE
15	CRA02341.par	1	ROLLER BEARING AXLE
16	CRA02347.par	2	NYLON SLIDE PAD
17	CRG0106.par	1	CARRIAGE MODEL 65
18	MFA0640.par	1	CYLINDER CLEVIS

8504FNG-06

DRILL MOTOR ASSEMBLY



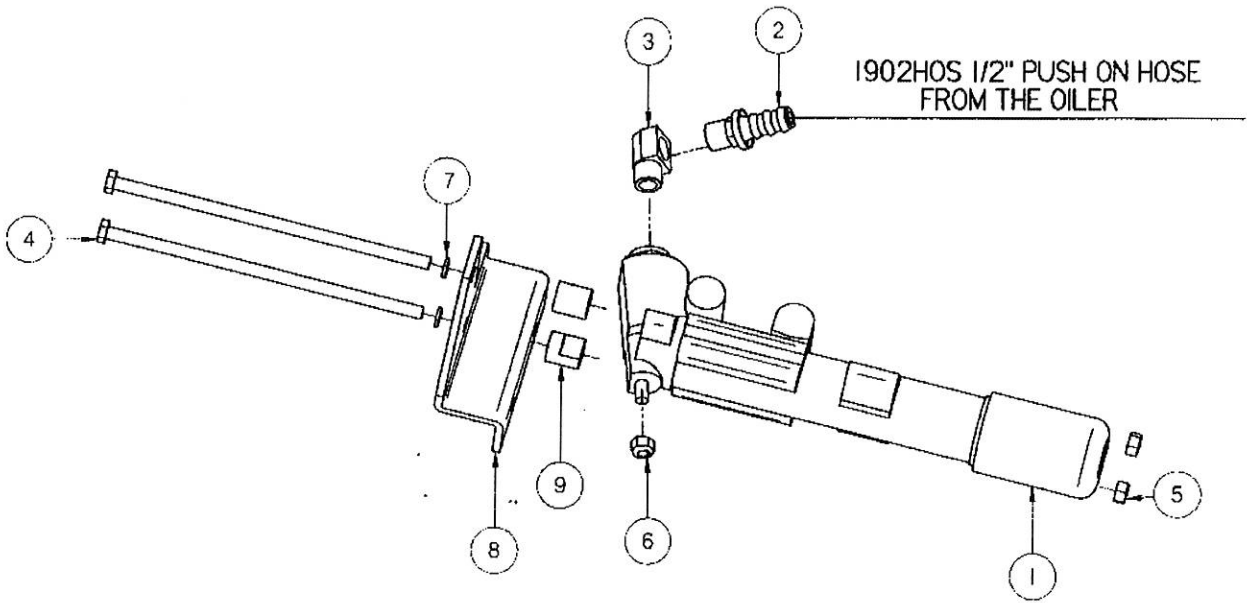
8504FNG-07

DRILL MOTOR ASSEMBLY

Item Number	File Name	Quantity	Description
1	0104DRL.asm	1	MOD. 65 DRILL MOTOR
2*	1821GRO.par	3	RUBBER ISOLATER
3*	2519BLT.par	2	5/16" X 3/4" BOLT
4*	2520BLT.par	2	5/16" X 1" BOLT
5	2719NUT.par	12	5/16" NYLON LOCK NUT
6*	2801WAS.par	2	1/4" FLAT WASHER
7	CRA0220.par	1	UPPER DRILL SADDLE BRACKET
8	CRA0221.par	1	LOWER DRILL SADDLE BRACKET
9*	CRA0222.par	1	FRONT ISOLATER BRACKET
10	CRA0223.par	1	REAR ISOLATER BRACKET
11	CRG0106.asm	1	MOD. 65 CARRIAGE ASSEMBLY

8504FNG-08

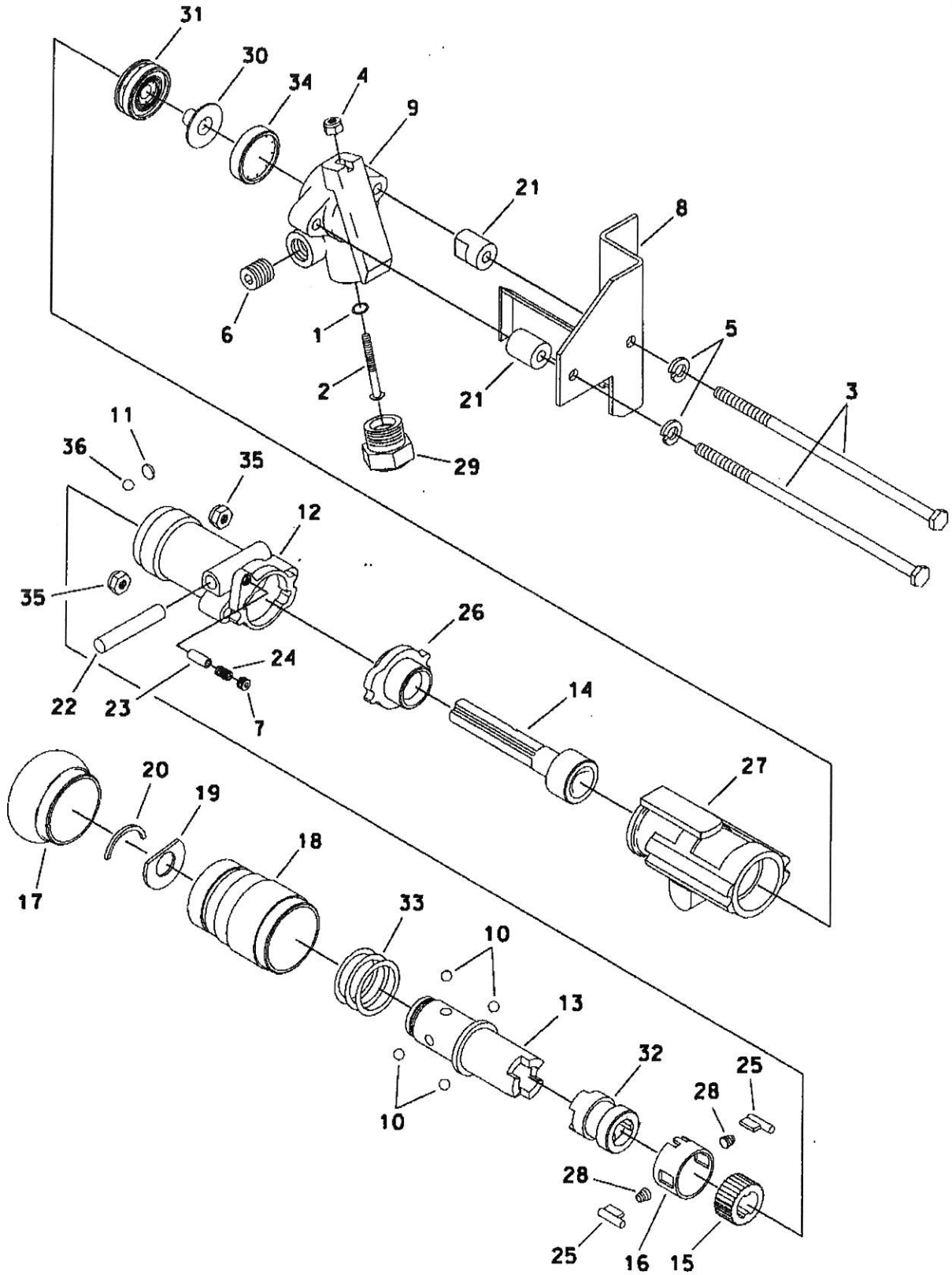
DRILL MOTOR ASSEMBLY



Item Number	File Name	Quantity	Description
1	0104DRL.par	1	CP 9 MOD. 65 DRILL MOTOR
2	20020FIT.par	1	1/2" HOSE TO 3/8" PIPE FITTING
3	2158PFT.par	1	3/8" STRAIGHT BRASS STREET ELBOW
4	2535BLT.par	2	5/16" X 8" FINE THREAD BOLT
5	2718NUT.par	2	5/16" FINE THREAD LOCK NUT
6	2719NUT.par	1	5/16" NYLON LOCK NUT
7	2810WAS.par	2	5/16" LOCK WASHER
8	CRA0224.par	1	MOUNT FOR 0104DRL
9	MFA0645.par	2	THRU BOLT SPACER

8504FNG-09

CP9A HANDRILL

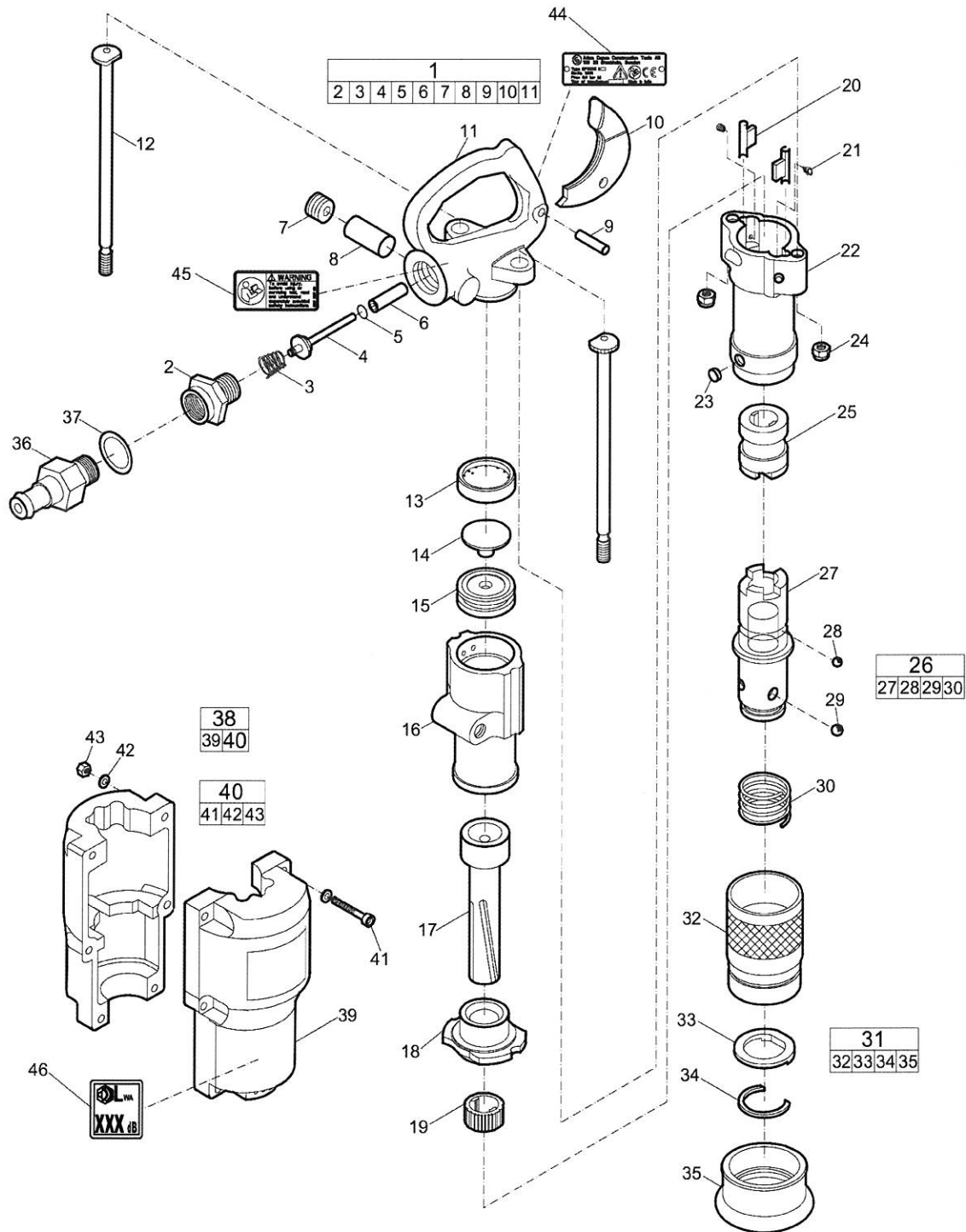


CP9A-10

CP9A HANDRILL

ITEM	PART NO	QTY	DESCRIPTION
1.	18289GRO	1	O-RING (1/4" X 1/16" CROSS-SECT)
2.	2508BLT	1	BOLT (1/4" X 2")
3.	2535BLT	2	BOLT - THRU (5/16" X 8",GD 8)
4.	2716NUT	1	LOCKNUT (1/4")
5.	2810WAS	2	LOCK WASHER (5/16")
6.	C077941	1	PLUG - PIPE (3/8")
7.	C102507	1	PLUG - PIPE (1/16 NPTF)
8.	CRA0224	1	REAR DRILL BRACKET
9.	F034495	1	HANDLE
10.	F035621	4	BALL - STEEL (5/16" DIA.)
11.	F061888	1	PLUG - BALL RETAINER
12.	F816120	1	FRONTHEAD
13.	F8 26892	1	CHUCK
14.	F816122	1	PISTON
15.	F816123	1	RING - RATCHET
16.	F816124	1	SLEEVE - SHIFTER
17.	F815343	1	EXCLUDER - DUST
18.	F815566	1	SLEEVE - RETAINER
19.	F826683	1	PLATE - RETAINER
20.	F826893	1	RING - RETAINER (INCL REF NO. 10)
21.	MFA0645	2	BOLT - THRU SPACER
22.	R051351	1	PLUNGER - SHIFTER
23.	R051352	1	PLUNGER - SHIFTER DETENT
24.	R051353	1	SPRING - PLUNGER
25.	R051355	2	PAWL
26.	R051356	1	BUSHING - CYLINDER
27.	R085886	1	CYLINDER
28.	R085890	2	SPRING - PAWL
29.	R085893	1	BUSHING - AIR INLET (3/8")
30.	R085897	1	VALVE
31.	R085898	1	SEAT - FRONT VALVE
32.	R085900	1	SLEEVE - CHUCK
33.	R086605	1	SPRING - SLEEVE RETAINER
34.	R095896	1	SEAT - REAR VALVE
35.	S013073	2	NUT - THRU BOLT
36.	S013112	17	BALL - CHUCK RETAINER

Spare parts list CP 0009 CS



Refer to the Parts Online web page for most up-to-date information. The printed information might be outdated.

Item	Part No.	Name	Qty	L
1	F034496	Handle, complete	1	
2	F064697	Bushing - air inlet, 3/8 in. BSP (collared head)	1	
3	R085596	Spring - throttle valve	1	
4	R086329	Valve - throttle	1	
5	R086098	Seat - throttle valve	1	A
6	R085599	Bushing - throttle valve	1	
7	C077941	Plug - pipe, Ø 3/8 in., Ø 9.5 mm	1	
8	R085895	Felt - oil chamber	1	
9	A043627	Pin - Trigger	1	
10	F027853	Lever - throttle	1	
11	--	Handle	1	
12	F034249	Bolt - thru	2	
13	R085896	Rear valve seat	1	
14	R085897	Valve	1	
15	R085898	Front valve seat	1	
16	R085886	Cylinder	1	
17	F816122	Piston	1	
18	R085887	Cylinder bushing	1	
19	F816123	Ratchet ring	1	
20	F034066	Pawl	2	
21	R085890	Spring - pawl	2	
22	R136592	Fronthead	1	
23	F061888	Plug - ball retainer	1	
24	S013073	Nut - thru bolt	2	
25	R085900	Chuck sleeve	1	
26	Z8366412	Round chuck, complete	1	
27	--	Chuck	1	
28	Z8767412	Chuck retainer ball, complete	17	B
29	Z8768412	Ball - steel, complete, Ø5/16 in. (7.9 mm). Only available as kit with 4 balls	4	
30	R086605	Spring - sleeve retainer	1	
31	Z8375412	Retainer sleeve, complete	1	
32	--	Retainer	1	
33	F826683	Retainer plate	1	
34	F826893	Retainer ring	1	
35	F815343	Dust excluder	1	
36	F064695	Hose tail	1	
37	F064696	Gasket	1	
38	F826972	Muffler, complete	1	

Refer to the Parts Online web page for most up-to-date information. The printed information might be outdated.

Item	Part No.	Name	Qty	L
39	--	Muffler	2	
40	Z3631412	Screw, complete	1	
41	---	Capscrew	6	
42	---	Washer	12	
43	---	Nut	6	
44	-	Data plate (Not available separately)	1	
45	3310160200	Safety Label	1	
46	-	Noise level label	1	

Comments for Page: CP 0009 CS

(L)OCAL REMARKS

A | special

B | Only available as kit with 17 balls