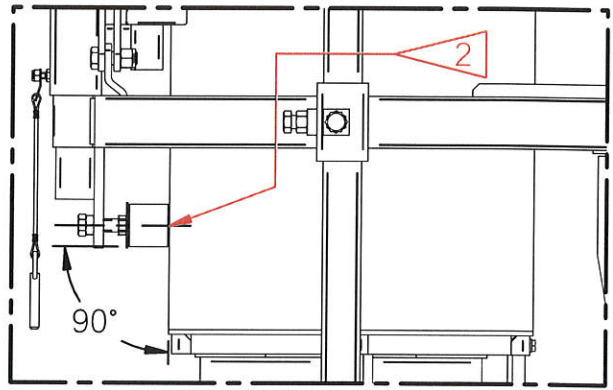


# 210B-2SRA VACUUM SYSTEM ASSEMBLY - PAGE 01

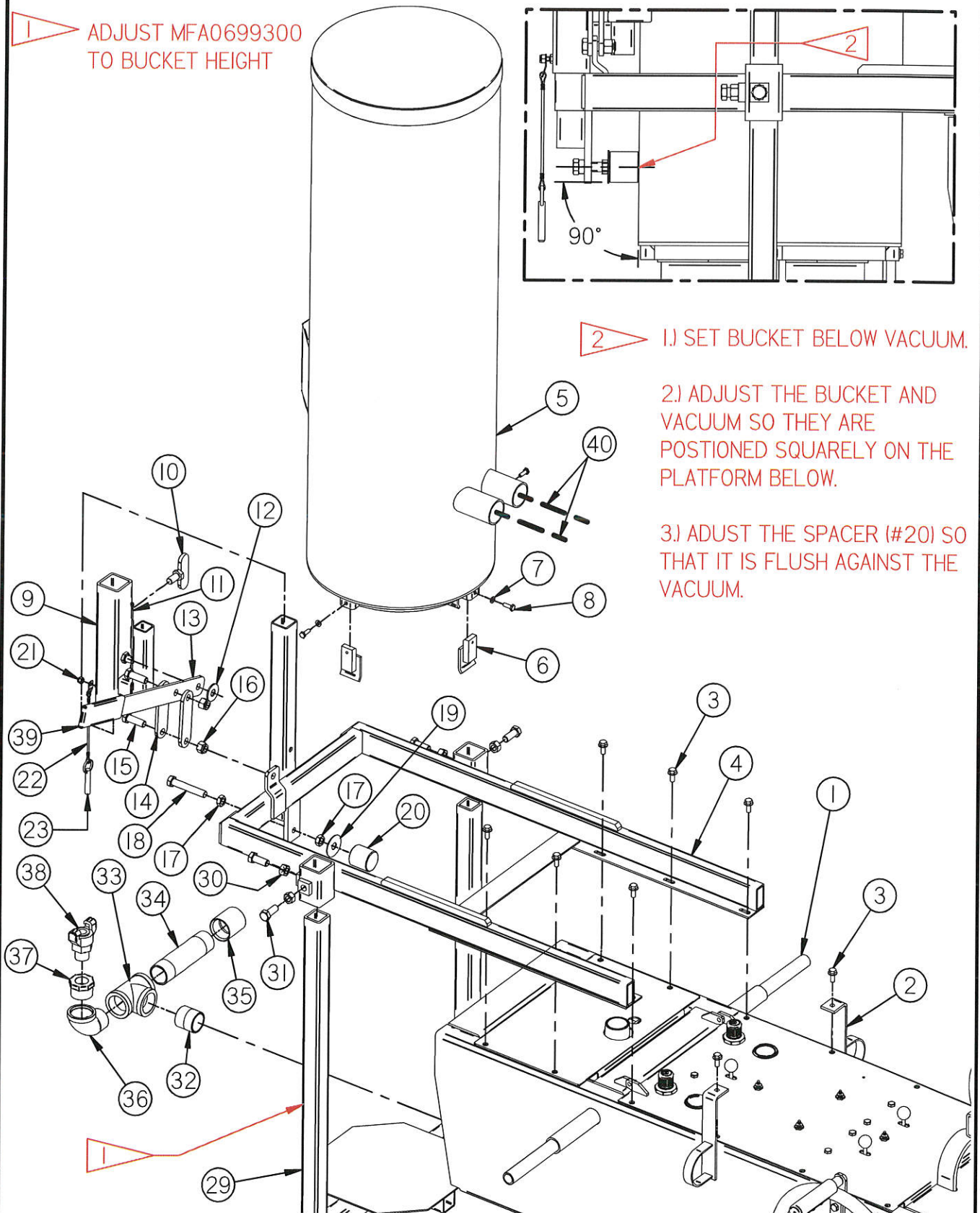
1 ▷ ADJUST MFA0699300 TO BUCKET HEIGHT



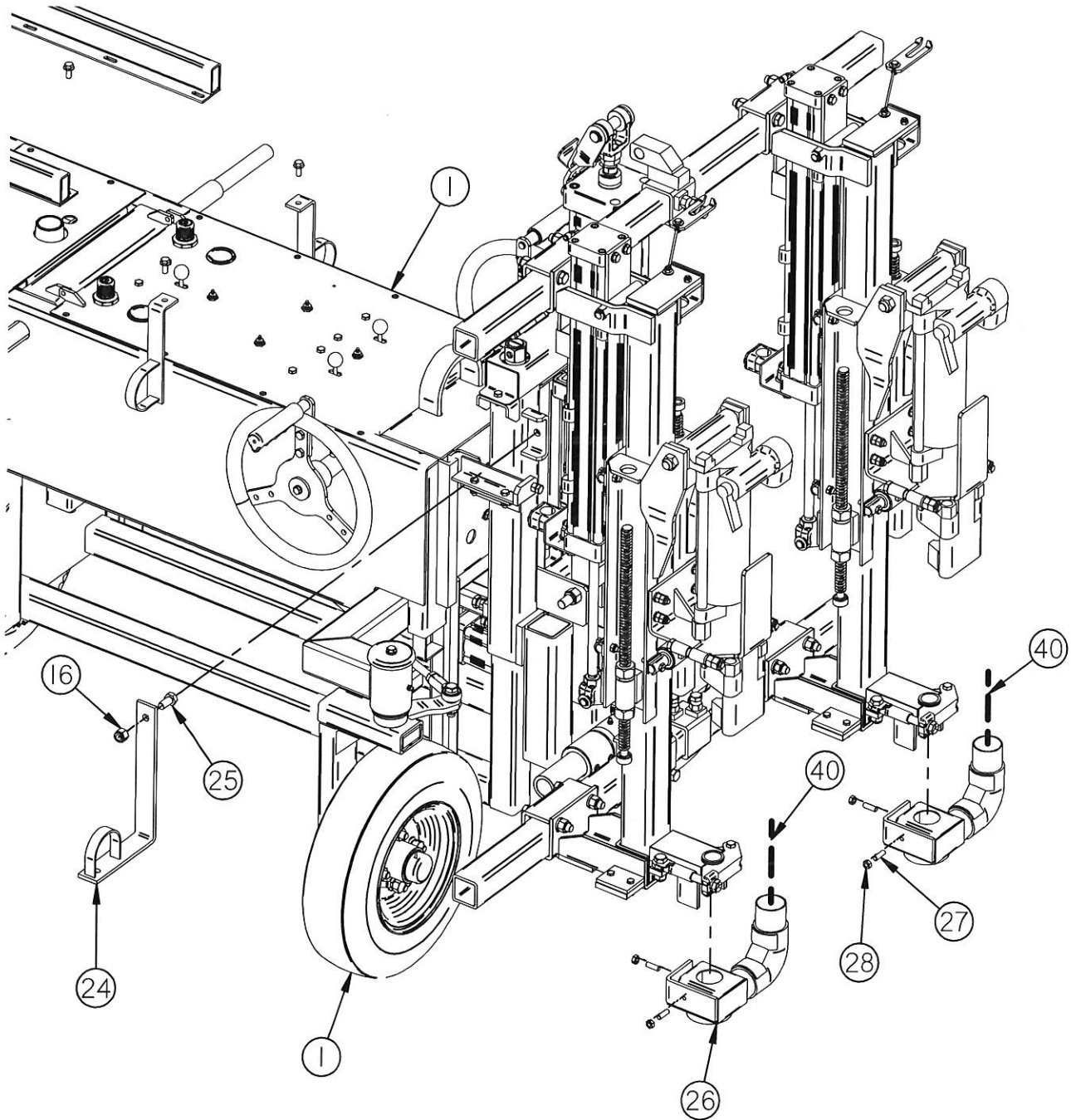
2 ▷ 1.) SET BUCKET BELOW VACUUM.

2.) ADJUST THE BUCKET AND VACUUM SO THEY ARE POSITIONED SQUARELY ON THE PLATFORM BELOW.

3.) ADJUST THE SPACER (#20) SO THAT IT IS FLUSH AGAINST THE VACUUM.



# 210B-2SRA VACUUM SYSTEM ASSEMBLY - PAGE 02



# 210B-2SRA VACUUM SYSTEM ASSEMBLY - PAGE 03

Item No.	Part No.	Quantity	Description
1	FNG814300	1	210B-2 SRA I 2-GANG DRILL I
2	MFA06994	2	SMALL HOSE HOLDER (210B-2 SRA)
3	25175 BLT	8	5/16 NC X .75" LG. HEX FLG HEAD BOLT
4	MFA069930	1	DUST COLLECTION FRAME (MOD 210B-2 SRA)
5	9695IMIS	1	MACRO VACUUM
6	9695IMIS_SUB01	3	BASE WLDMNT ASSY.
7	2802 WAS	3	1/4" LOCK WASHER
8	2501BLT	3	1/4" NC X .75" HX HD BOLT
9	MFA069933	1	ADAPTER - DUST COLLECTION (MOD 210B-2 SRA)
10	MFA069903	1	SET SCREW - DUST COLLECTION
11	30221 PIN	1	1/8" X 1-1/4" COTTER PIN
12	2830 WAS	1	1/2" STD. FLAT WASHER
13	MFA0699040	1	RAISE/LOWER LEVER - MACRO DUST COLLECTION
14	MFA069906	2	FRAME CLAMP LONG
15	2562 BLT	2	1/2" NC X 1.50" HX HD TAP BOLT
16	2734NUT	4	1/2" NC NYLON INSERT LOCKNUT
17	27695 NUT	2	1/2" UNC HEX JAM NUT ( RT. HND. )
18	256705 BLT	1	1/2" NC X 3.00" TAP BOLT
19	28300 WAS	1	1/2" X 1-3/4" WASHER
20	MFA06997	1	NYLON SPACER
21	2716NUT	1	1/4" NC NYLON LOCK NUT
22	3031PIN	1	LANYARD W/TAB ONE END
23	3029PIN	1	LOCK PIN
24	MFA06995	2	LARGE HOSE HOLDER ( 210B-2 SRA )
25	2559BLT	2	1/2" X 1" BOLT
26	MFA069913	2	DUST COLLECTOR HEAD
27	2521 BLT	4	5/16-18 X 1" SET SCREW
28	2717 NUT	4	5/16 UNC HEX NUT ( ZP, GR. 5 )
29	MFA0699300	1	BOTTOM MOUNT FRAME (MOD 210B-2 SRA)
30	2732 NUT	4	1/2" NC STANDARD NUT
31	2560BLT	4	1/2" NC X 1.25" HX HD BOLT
32	212701 PFT	1	1-1/4" CLOSE NIPPLE
33	2104 PFT	1	1-1/4" PIPE TEE
34	21276 PFT	1	1-1/4" X 6" NIPPLE
35	21475 PFT	1	FULL COUPLING, 1-1/4NPT (STEEL)
36	21600 PFT	1	1-1/4" STREET ELL
37	20780 PFT	1	1-1/4" TO 3/4" BUSHING
38	2006FIT	1	3/4" MALE PIPE TO QUICK COUPLER
39	18206GRO	1	LEVER GRIP
40	19255 HOS	2	2" VACUUM HOSE