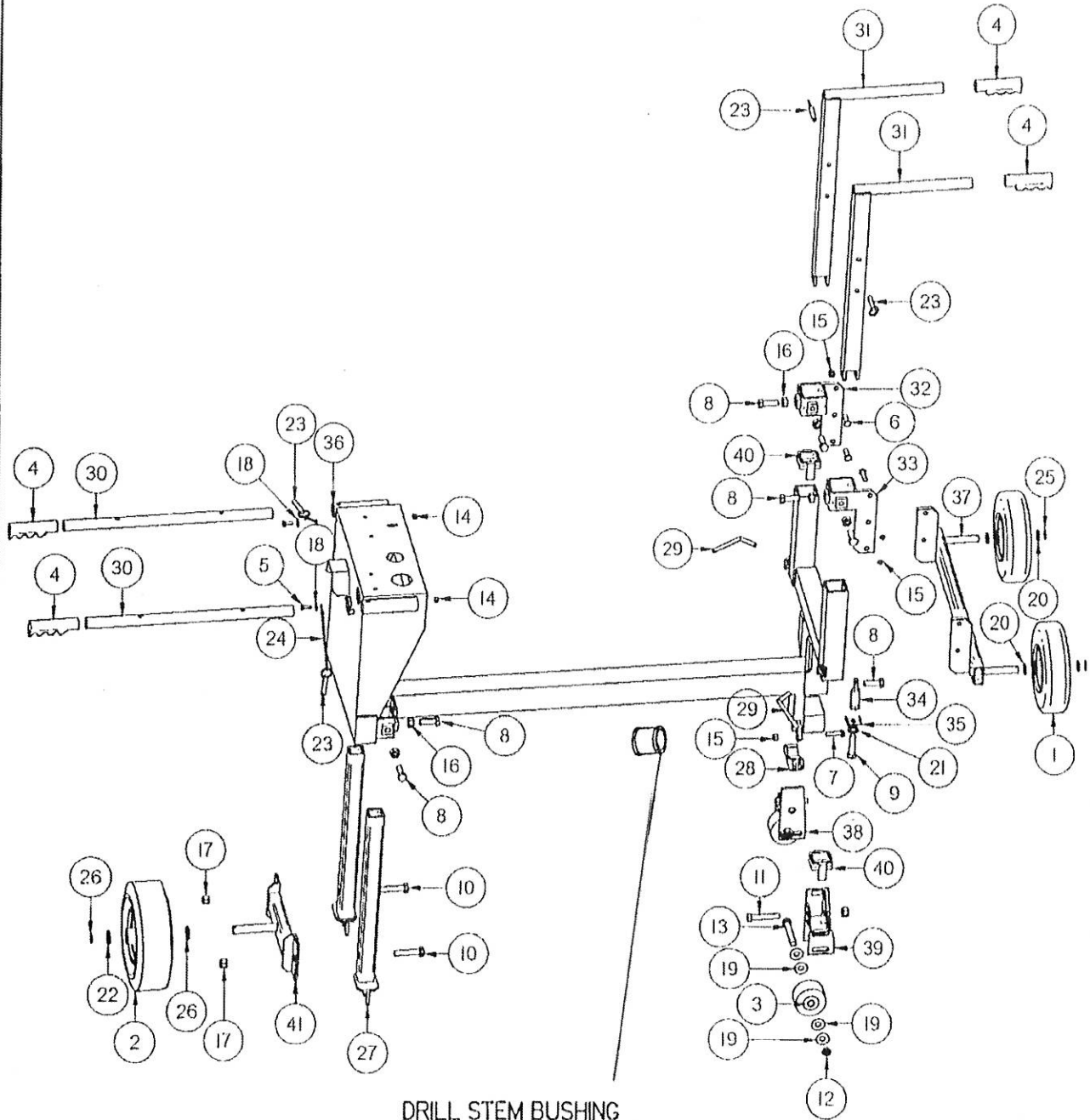


FRAME ASSEMBLY



DRILL STEM BUSHING

- 1108MCP 5/8" BUSHING
- 1109MCP 3/4" BUSHING
- 1110MCP 7/8" BUSHING
- 1111MCP 1" BUSHING
- 1112MCP 1 1/8" BUSHING

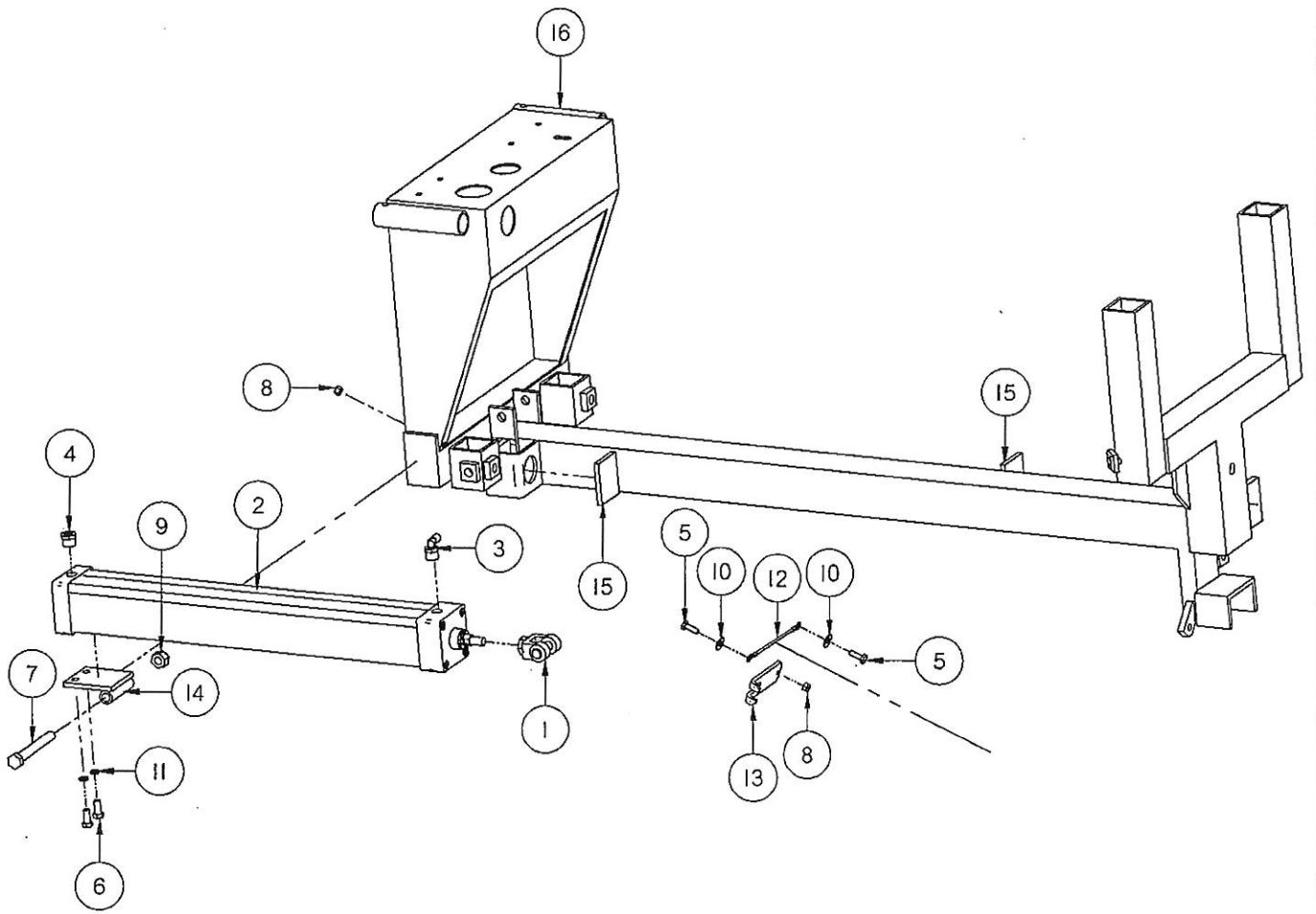
FNG80990-01

FRAME ASSEMBLY

Item Number	File Name	Quantity	Description
1	0201WHL.par	2	8" WHEEL WITH 5/8" BORE
2	0202WHL.asm	1	REAR WHEEL
3	0207WHL.asm	2	GUIDE WHEEL
4	1820GRO.par	4	HANDLE GRIP
5	2501BLT.par	2	1/4" X 3/4" BOLT
6	2540BLT.par	4	3/8" X 1 1/4" BOLT
7	2541BLT.par	1	3/8" X 1 1/2" BOLT
8	2562BLT.par	7	1/2" X 1 1/2" BOLT
9	2563BLT.par	1	1/2" X 2" BOLT
10	2564BLT.par	2	1/2" X 2 1/2" BOLT
11	2566BLT.par	2	1/2" X 2 3/4" BOLT
12	25675BLT.par	1	GREASE BOLT NUT
13	25675BLT.par	2	GREASE BOLT
14	2716NUT.par	2	1/4" NYLON LOCK NUT
15	2727NUT.par	4	3/8" LOCKNUT
16	2732NUT.par	6	1/2" STANDARD NUT
17	2734NUT.par	4	1/2" LOCKNUT
18	2801WAS.par	2	1/4" FLAT WASHER
19	2830WAS.par	5	1/2" WASHER
20	2831WAS.par	4	7/8"OD X 1/2"ID WASHER 10GA
21	2832WAS.par	1	1/2" LOCK WASHER
22	2851WAS.par	2	3/4" X 10 GA. WASHER
23	3029PIN.par	4	LOCK PIN
24	3030PIN.par	2	6" LANYARD WITH LOOPS
25	3036PIN.par	2	SNAP RING
26	3038PIN.par	1	SNAP RING 3/4"
27	MFA0602.par	2	REAR LEG 210
28	MFA0609.par	1	BIT GUIDE
29	MFA0611.par	2	HANDLE SET SCREW
30	MFA0617.par	2	REAR LIFTING HANDLE
31	MFA0619.par	2	FRONT LIFTING HANDLE 210
32	MFA0621.par	1	UPPER STABILIZER BRACKET RIGHT
33	MFA0622.par	1	UPPER STABILIZER BRACKET LEFT
34	MFA0674.par	1	SWIVEL BOLT
35	MFA0690.par	1	BIT GUIDE KEEPER
36	MNF05019.par	1	MAIN FRAME
37	MOB0908.par	1	FRONT MOBILE STABILIZER
38	MOB0915.par	1	GUIDE WHEEL SWIVEL ASSEMBLY RIGHT 210
39	MOB0916.par	1	GUIDE WHEEL SWIVEL ASSEMBLY LEFT 210
40	MOB0926.par	2	SLIDE LOCK
41	MOB0927.par	1	REAR AXLE ASSEMBLY 210

FNG80990-02

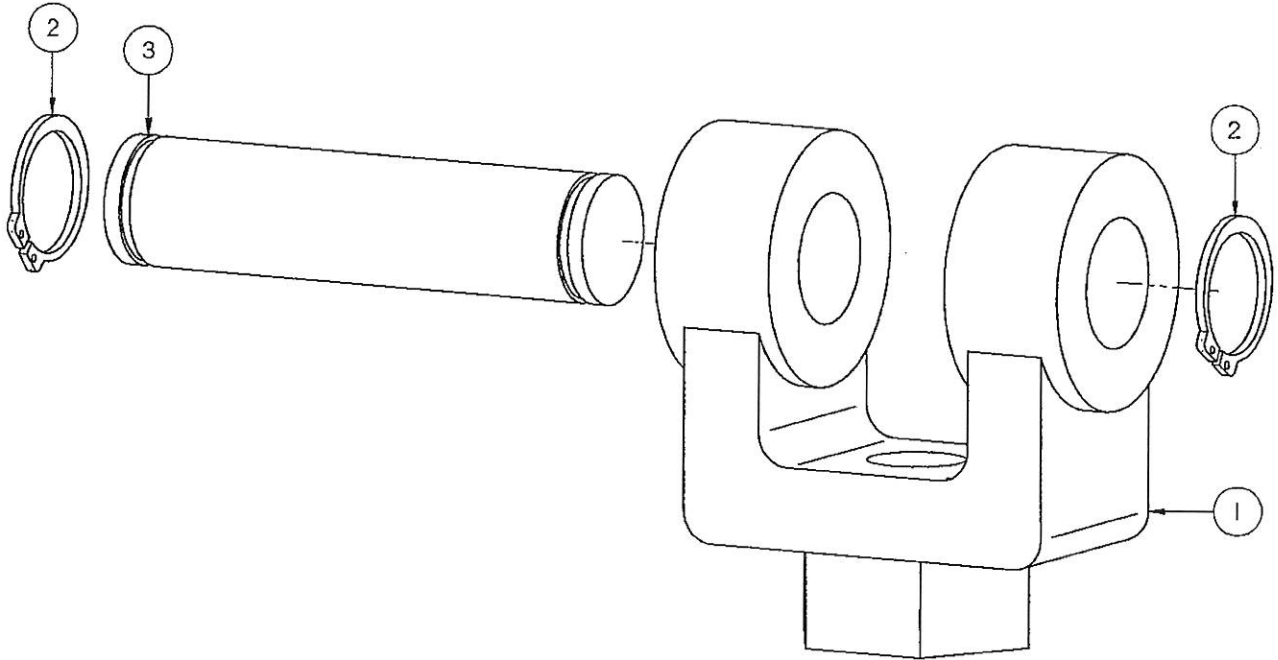
FEED CYLINDER ASSEMBLY



FEED CYLINDER ASSEMBLY

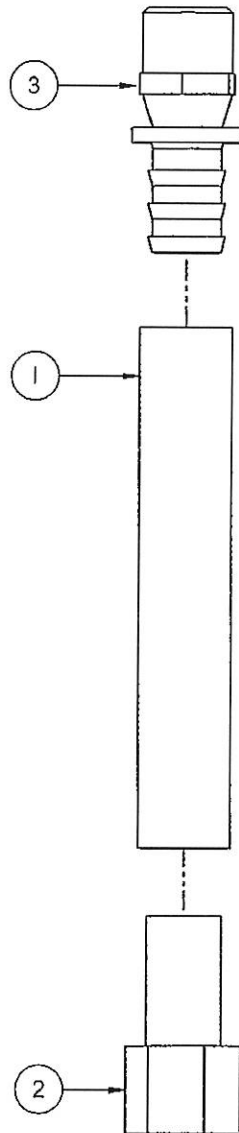
Item Number	File Name	Quantity	Description
1	0501cyl.asm	1	CYLINDER CLEVIS
2*	0514ICYL.asm	1	2.5" X 20" FEED CYLINDER
3*	2052fit.par	1	1/4" TO 3/8" 90 DEG. FITTING
4*	2068fit.par	1	1/4" TO 3/8" MALE CONN. FITTING
5	2501blt.par	2	1/4" X 3/4" BOLT
6	2516blt.par	2	5/16" X 3/4" FINE THREAD BOLT
7*	2570blt.par	1	1/2" X 4" BOLT
8	2716nut.par	2	1/4" NYLON LOCK NUT
9*	2734nut.par	1	1/2" LOCKNUT
10*	2801was.par	2	1/4" FLAT WASHER
11*	2810was.par	2	5/16" LOCK WASHER
12*	3030pin.par	1	6" LANYARD WITH LOOPS
13	cra0218.par	1	CARRIAGE LOCK
14*	mfa0624.par	1	FEED CYLINDER BRACKET (210)
15	mfa0626.par	2	STOP PAD
16	mnf05019.par	1	MAIN FRAME

CYLINDER CLEVIS ASSEMBLY



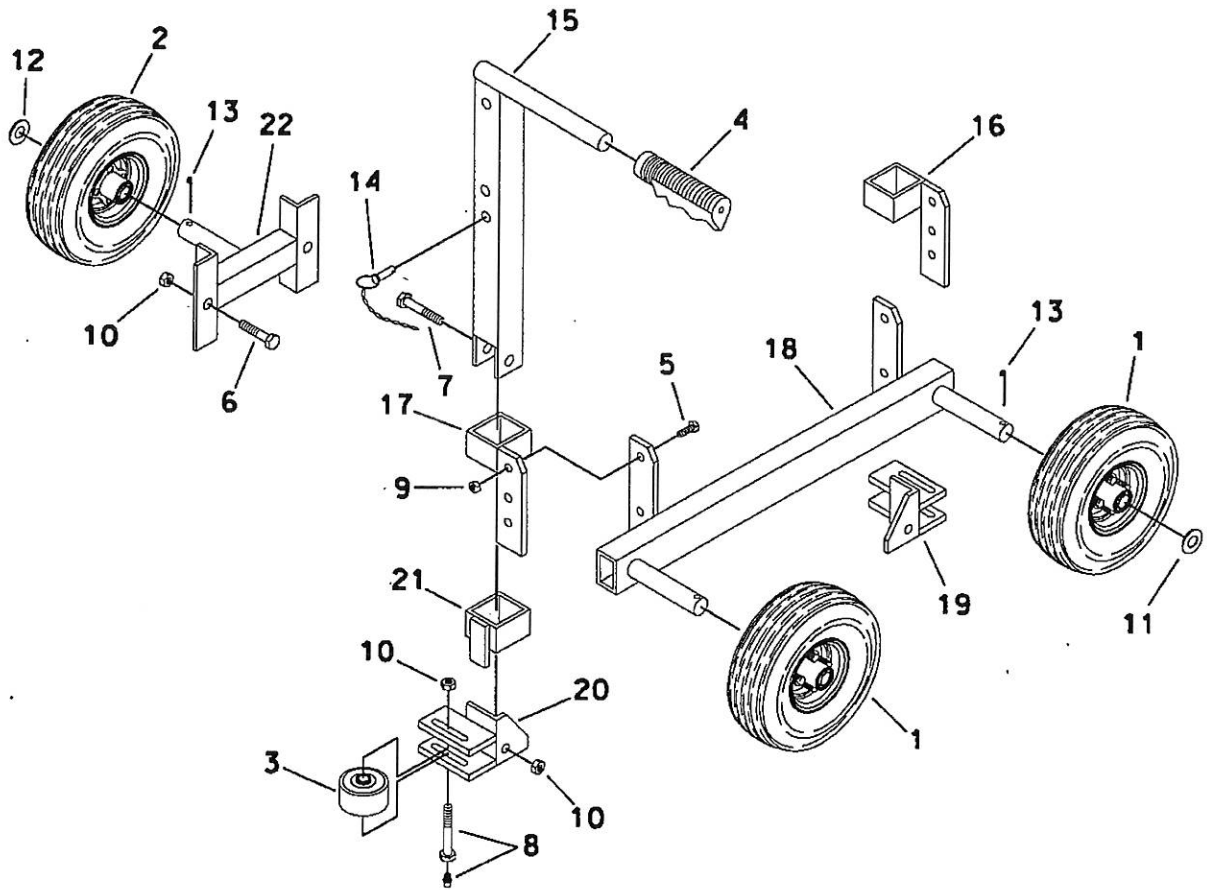
Item Number	File Name	Quantity	Description
1	0501CYL.par	1	CYLINDER CLEVIS
2	3002PIN.par	2	SNAP RING
3	3002PIN.par	1	CYLINDER CLEVIS PIN

DRILL MOTOR HOSE ASSEMBLY



Item Number	File Name	Quantity	Description
1	I904HOS.par	1	3/4" PUSH ON HOSE
2	I9989FIT.par	1	3/4" HOSE X 3/4" FEMALE PIPE
3*	I999FIT.par	1	3/4" X 3/4" HOSE SWIVEL

MOBILE SYSTEM



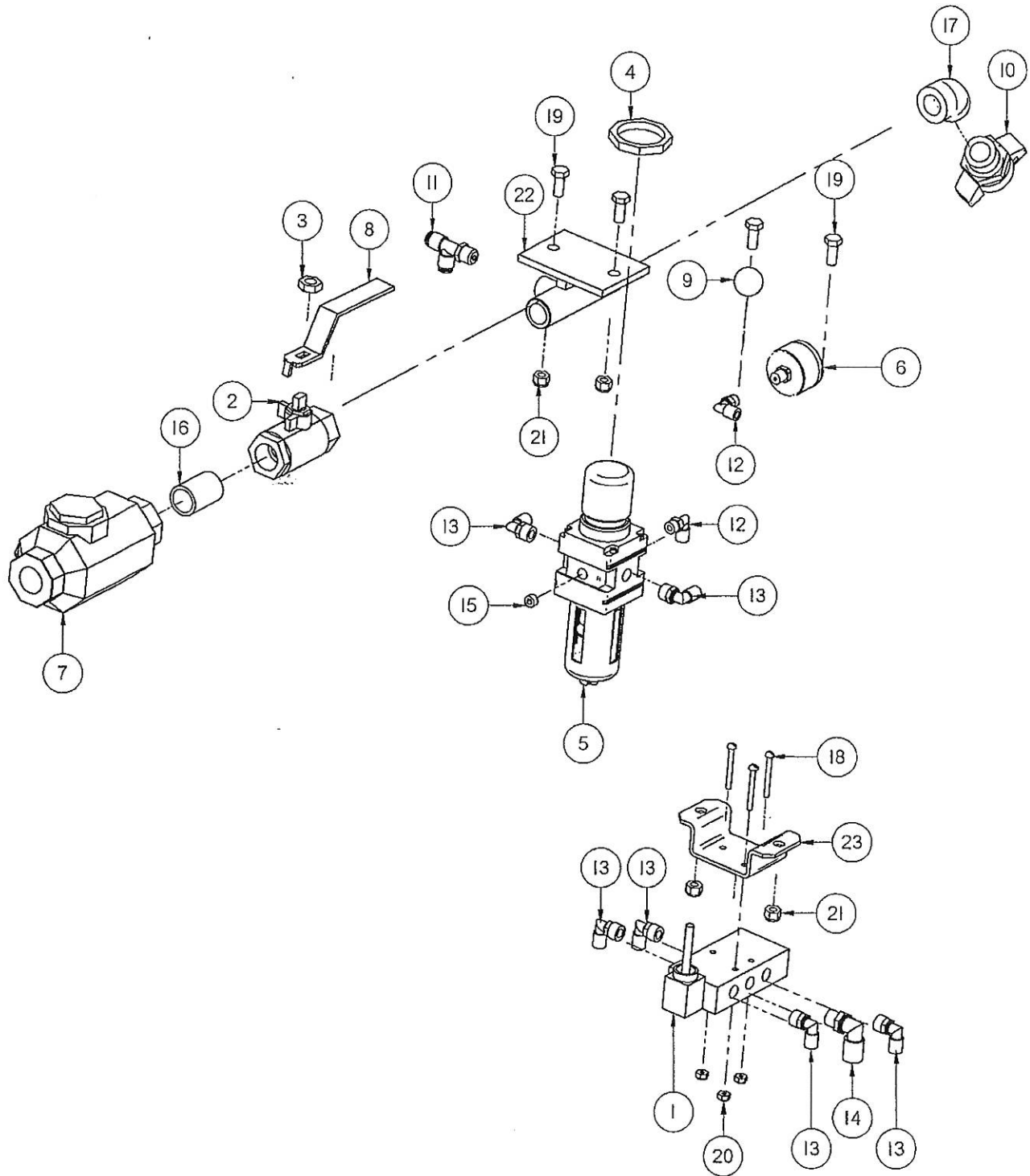
FNG80990-50

MOBILE SYSTEM

ITEM	PART NO	QTY	DESCRIPTION
1.	0201WHL	2	FRONT WHEEL
2.	0202WHL	1	REAR WHEEL
3.	0207WHL	2	GUIDE WHEEL
4.	1820GRO	2	HANDLE GRIP
5.	2540BLT	4	BOLT (3/8" X 1-1/4")
6.	2562BLT	2	BOLT (1/2" X 2-1/2")
7.	2566BLT	2	BOLT (1/2" X 2-3/4")
8.	25675BLT	2	BOLT (1/2" X 3-1/2" W/GREASE FIT)
9.	2727NUT	4	LOCKNUT (3/8")
10.	2734NUT	6	LOCKNUT (1/2")
11.	2841WAS	4	WASHER (5/8")
12.	2851WAS	1	FLAT WASHER (3/4")
13.	3022PIN	3	COTTER PIN
14.	3029PIN	2	LOCK PIN W/CHAIN
15.	MFA0619	2	FRONT LIFTING HANDLE
16.	MFA0621	1	UPPER STABILIZER BRACKET-RT
17.	MFA0622	1	UPPER STABILIZER BRACKET-LT
18.	MOB0908	1	FRONT MOBILE STABILIZER
19.	MOB0915	1	GUIDE WHEEL SWIVEL ASSY-RT
20.	MOB0916	1	GUIDE WHEEL SWIVEL ASSY-LT
21.	MOB0926	2	SLIDE LOCK
22.	MOB0927	1	REAR AXLE ASSEMBLY

FNG80990-50

CONTROL PANEL ASSEMBLY



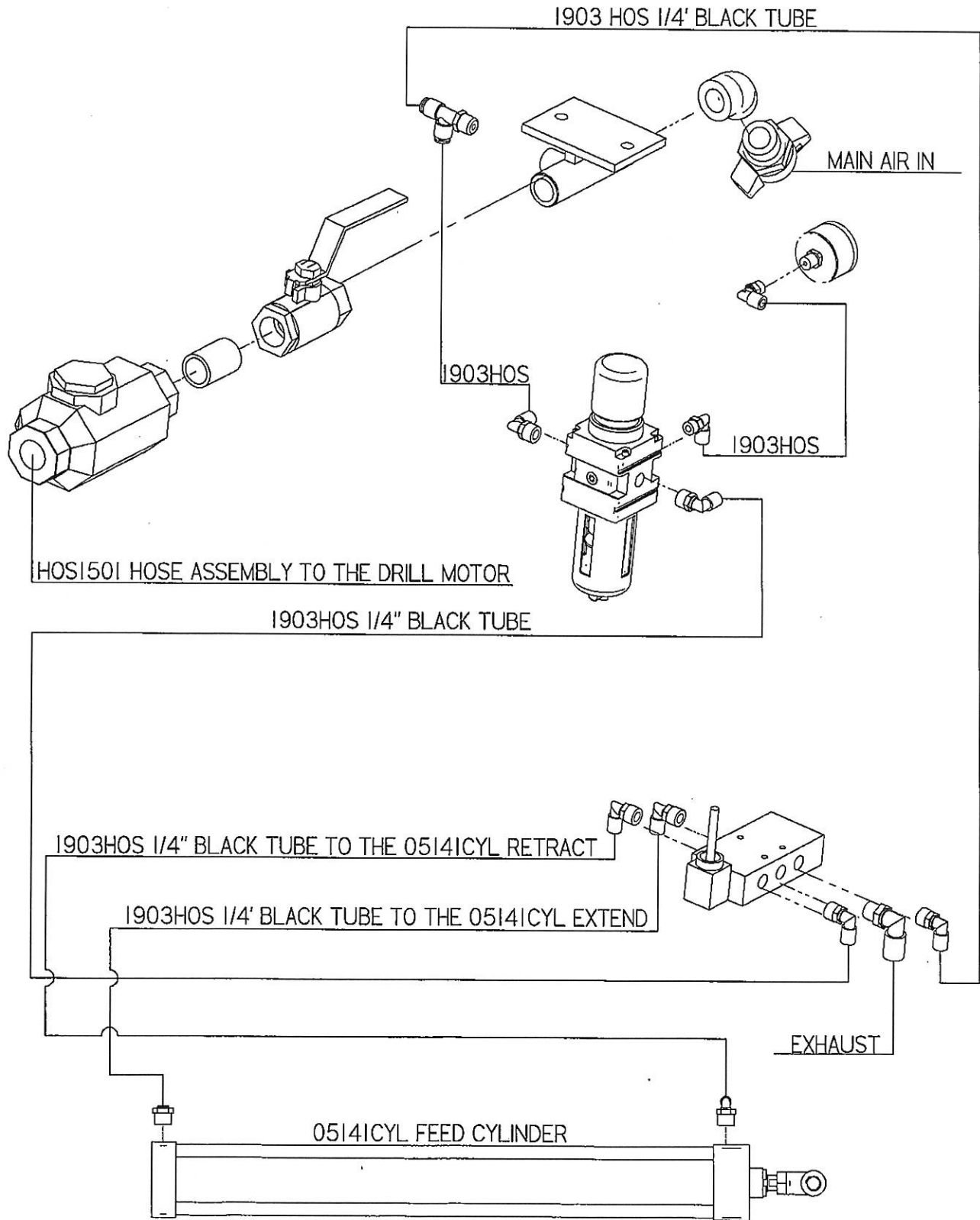
FNG80990-07

CONTROL PANEL ASSEMBLY

Item Number	File Name	Quantity	Description
1	060102VAL.par	1	3 WAY POSITION VALVE WITH KNOB
2	0615VAL.par	1	3/4" BRASS BALL VALVE
3	0615VALNUT.par	1	NUT
4	08058REG.par	1	LOCK RING FOR 08092REG
5	08092REG.par	1	AIR PRESSURE REGULATOR
6	09022GAU.par	1	GAUGE 0-60 1/8" MPT
7	16010IL.par	1	3/4" PINT OILER
8	17415RPT.par	1	BALL VALVE HANDLE
9	17420IRPT.par	1	KNOB
10	2006FIT.par	1	3/4" MALE PIPE TO QUICK COUPLER
11	2035FIT.par	1	1/4" X 1/4" MALE RUN T
12	2050FIT.par	2	1/4" TO 1/8" 90 DEG. FITTING
13	2051FIT.par	6	1/4" TO 1/4" 90 DEG. FITTING
14	2053FIT.par	1	3/8" TO 1/4" MALE 90
15	21010PFT.par	1	1/8" PIPE PLUG
16	2114PFT.par	1	3/4" X 1 1/2" NIPPLE
17	214795PFT.par	1	1/2" 45 DEG. ELBOW
18	2478BLT.par	3	8/32" X 1 1/2" BOLT
19	2519BLT.par	4	5/16" X 3/4" BOLT
20	2712NUT.par	3	8/32" NYLON LOCK NUT
21	2719NUT.par	4	5/16" NYLON LOCK NUT
22	MFA0677.par	1	MANIFOLD
23	SRUI3460.psm	1	VALVE SPACER

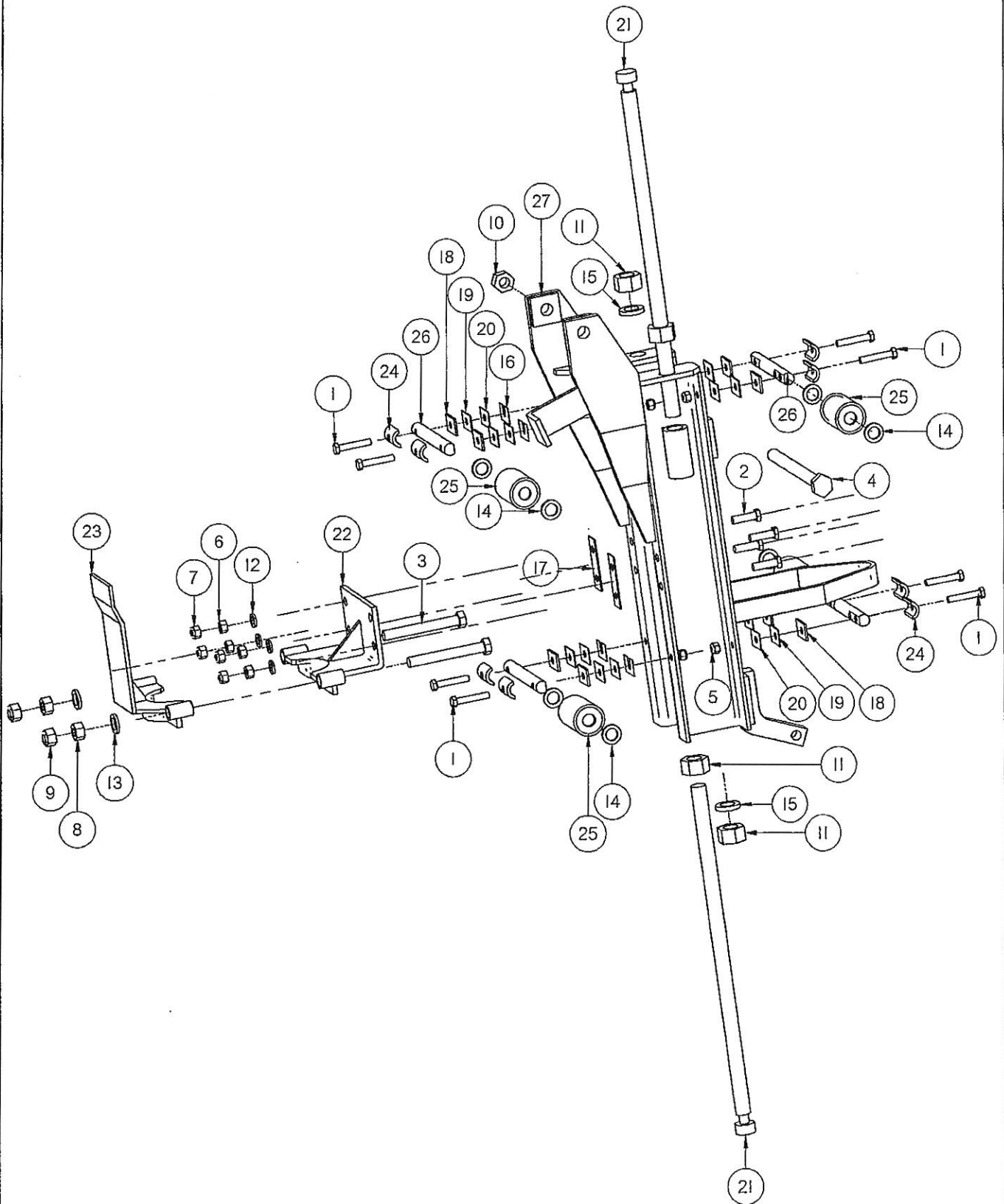
FNG80990-08

CONTROL PANEL SCHEMATIC



FNG80990-09

CARRIAGE ASSEMBLY

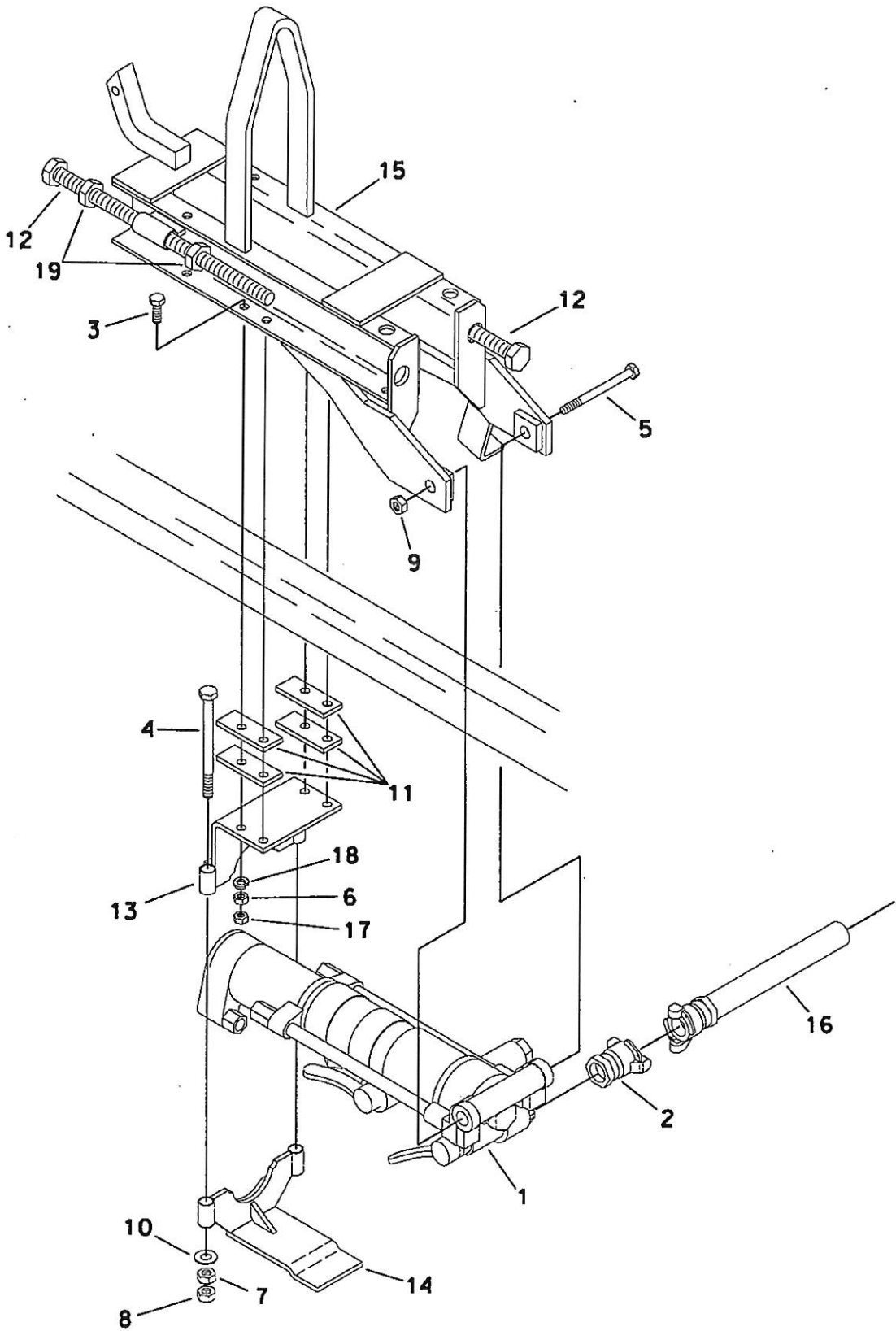


FNG80990-03

CARRIAGE ASSEMBLY

Item Number	File Name	Quantity	Description
1	2526blt	8	5/16" X 1 1/2" BOLT
2	2540blt.par	4	3/8" X 1 1/4" BOLT
3	2570blt.par	2	1/2" X 4" BOLT
4	2590blt.par	1	5/8" X 8" BOLT
5	2719nut.par	4	5/16" NYLON LOCK NUT
6	2725nut.par	4	3/8" STANDARD NUT
7	2727nut.par	4	3/8" LOCKNUT
8	2732nut.par	2	1/2" STANDARD NUT
9	2734nut.par	2	1/2" LOCKNUT
10	2742nut.par	1	5/8" LOCKNUT
11	27490nut.par	4	3/4" COIL ROD NUT
12	2821was.par	4	3/8" LOCK WASHER
13	2832was.par	2	1/2" LOCK WASHER
14	2841was.par	7	5/16" WASHER
15	2852was.par	2	3/4" LOCK WASHER
16	7009tab.par	4	STAINLESS STEEL SHIM (AS NEEDED)
17	7010tab.par	2	16 GA. TWO HOLE SHIM
18	7011tab.par	8	12 GA. SHIM (AS NEEDED)
19	7012tab.par	8	18 GA. SHIM (AS NEEDED)
20	7013tab.par	8	22 GA. SHIM (AS NEEDED)
21	CRA02030.asm	2	3/4 X 18" STOP ROD
22	cra0214.par	1	UPPER DRILL BRACKET
23	cra0216.par	1	LOWER DRILL BRACKET
24	cra0230.par	8	BEARING KEEPER
25	cra0233.par	4	ROLLER BEARING DRUM
26	cra0234.par	4	ROLLER BEARING AXLE
27	CRG01021.par	1	CARRIAGE, MODEL 210B

CARRIAGE / AIR DRILL



FNG80990-90

CARRIAGE / AIR DRILL

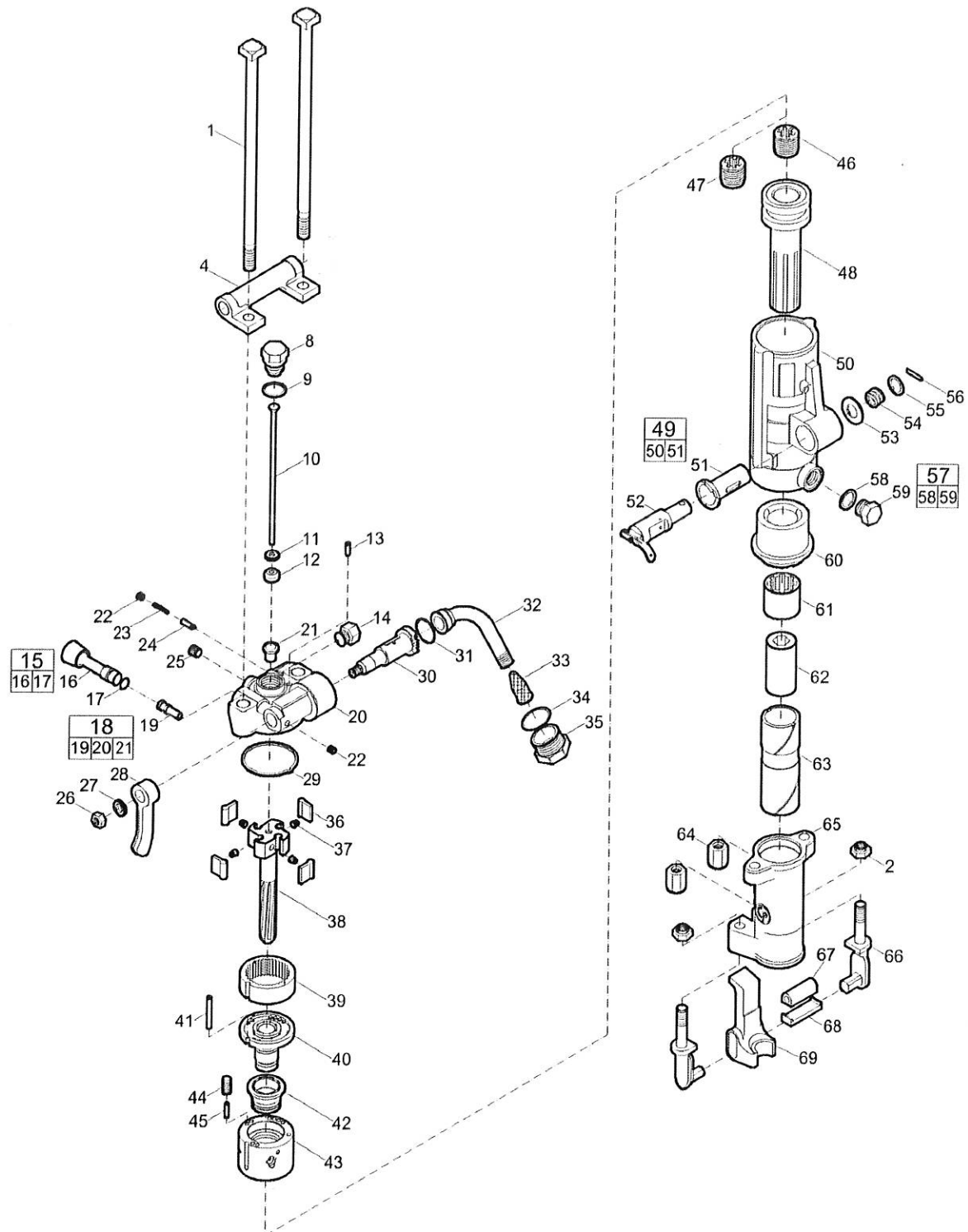
ITEM	PART NO	QTY	DESCRIPTION
1.	0101DRL	1	CP 32 A ROCK DRILL
2.	2009FIT	1	HOSE FITTING
3.	2540BLT	4	BOLT (3/8" X 1-1/4")
4.	2570BLT	2	BOLT (1/2" X 4")
5.	2590BLT	1	BOLT (5/8" X 8")
6.	2727NUT	4	LOCKNUT (3/8")
7.	2732NUT	2	STD NUT (1/2")
8.	2734NUT	2	LOCKNUT (1/2")
9.	2742NUT	1	LOCKNUT (5/8")
10.	2832WAS	2	WASHER (1/2")
11.	7010TAB	4	SHIM (16 GA - 2 HOLE)
**12.	CRA0202	2	STOP ROD
13.	CRA0214	1	BRACKET
14.	CRA0216	1	BRACKET
15.	CRG0102	1	CARRIAGE
16.	HOS1501	1	FEED BAR TO DRILL
17.	2725NUT	4	STD NUT (3/8")
18.	2821WAS	4	LOCKWASHER (3/8")
**19.	2731NUT	4	COIL NUT (1/2")

** REFER TO SERIAL NUMBER

CRA02030	2	STOP ROD 3/4" x 18" - 210 (AFTER S/N: M-1857)
27490 NUT	4	3/4" COIL ROD NUT (AFTER S/N: M-1857)

FNG80990-90

Spare parts list CP 0032 A 7/8" x 3/4"



Refer to the Parts Online web page for most up-to-date information. The printed information might be outdated.

Item	Part No.	Name	Qty	L
1	R086623	Bolt - Thru	2	
2	R005742	Nut - Elastic stop	2	A
4	R086608	Bracket - Handle	1	
8	R076793	Plug - Air tube	1	
9	R000537	Gasket - Tube plug	2	
10	R077184	Tube - Air	1	
11	R075449	Washer - Air tube	1	
12	R075099	Rubber - Air tube	1	
13	R075802	Pin - Valve plunger	1	
14	R076372	Plug - Water valve	1	
15	R079130	Water valve port plug, complete	1	
16	-	Water valve port plug	1	
17	C079489	O-ring	1	
18	R087948	Backhead, complete	1	
19	R098054	Bushing - Water valve	1	
20	-	Backhead	1	
21	R137738	Bushing - Blow tube	1	
22	C068064	Plug - Pipe	2	
23	R085671	Spring - Valve plunger	1	
24	R086627	Plunger - Throttle valve	1	
25	C068799	Plug - pipe, Ø 1/4 in., Ø 6.5 mm	1	C
26	P002149	Nut - Hexagon	1	D
27	C036717	Lockwasher - Head latch	1	E
28	R079124	Handle - Throttle valve	1	
29	H0979432	Gasket	1	
30	R086628	Valve - Throttle	1	
31	P103521	O-ring	1	
32	R075265	Swivel - Air inlet	1	
33	R005584	Screen - Air inlet	1	
34	R110317	O-ring	1	
35	R000530	Air swivel nut	1	
36	R075267	Pawl	4	
37	R086654	Spring - Pawl	4	
38	R086622	Bar - Rifle	1	

Refer to the Parts Online web page for most up-to-date information. The printed information might be outdated.

Item	Part No.	Name	Qty	L
39	R076194	Ring - Ratchet	1	
40	R098085	Bushing - Valve guide	1	
41	R075772	Pin - Valve case dowel	1	
42	R076263	Valve	1	
43	R076264	Case - Valve	1	
44	R098084	Plug - Oil regulating	1	
45	R085625	Stem - Oil regulating	1	
46	R075839	Nut - Rifle bar	1	F
47	R075826	Nut - Rifle bar	1	G
48	R000088	Piston	1	
49	R087990	Cylinder, complete	1	
50	--	Cylinder	1	
51	R086611	Bushing - Blower valve	1	
52	R086612	Valve - Blower	1	
53	R075777	Washer - Blower valve	1	
54	R075778	Spring - Blower valve	1	
55	R075780	Washer - Valve spring	1	
56	R076266	Pin - Spring	1	
57	R085611	Oil plug, complete	1	
58	R091176	Gasket - Oil plug	1	
59	--	Oil plug	1	
60	R042161	Bushing - Cylinder	1	
61	R086733	Nut - Chuck rotation	1	
62	R099374	Chuck, 7/8" x 31/4" (22 x 82.5 mm)	1	
63	R041321	Sleeve - Chuck, 7/8" x 31/4" (22 x 82.5 mm)	1	
64	R085756	Nut - Thru bolt	2	
65	R041320	Fronthead, 7/8" x 31/4" (22 x 82.5 mm)	1	
66	R093896	Tunnion - Retainer	2	
67	R093897	Buffer - Retainer	1	
68	R093898	Retainer - Latch shoe	1	
69	R093913	Retainer, 7/8" (22 mm)	1	

Comments for Page: CP 0032 A 7/8" x 3/4"

(L)OCAL REMARKS

A | 5/8" - 11

B | 1/8"

C | 1/4"

Refer to the Parts Online web page for most up-to-date information. The printed information might be outdated.