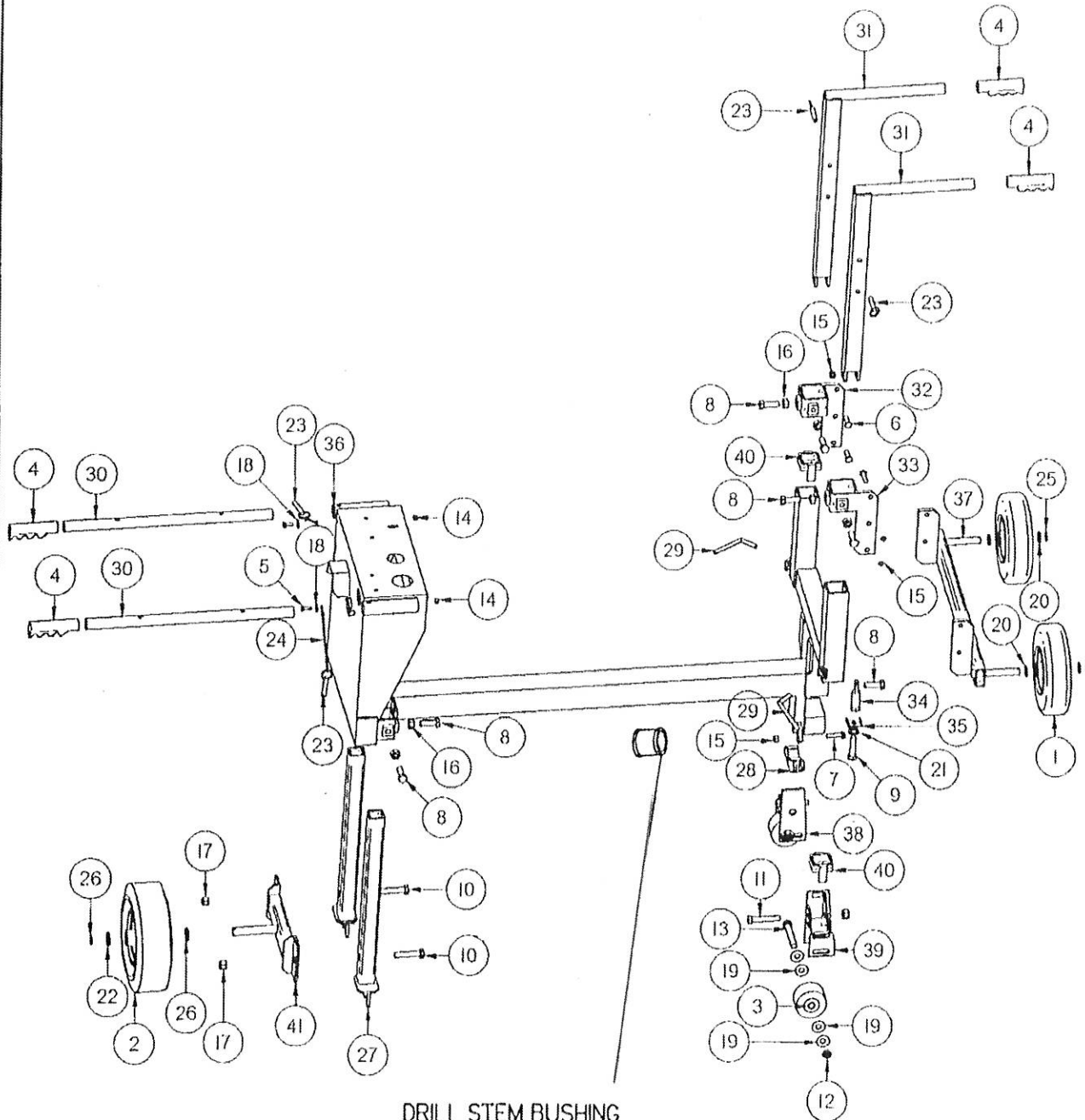


FRAME ASSEMBLY



DRILL. STEM BUSHING

- .1108MCP 5/8" BUSHING
- .1109MCP 3/4" BUSHING
- .1110MCP 7/8" BUSHING
- .1111MCP 1" BUSHING
- .1112MCP 1 1/8" BUSHING

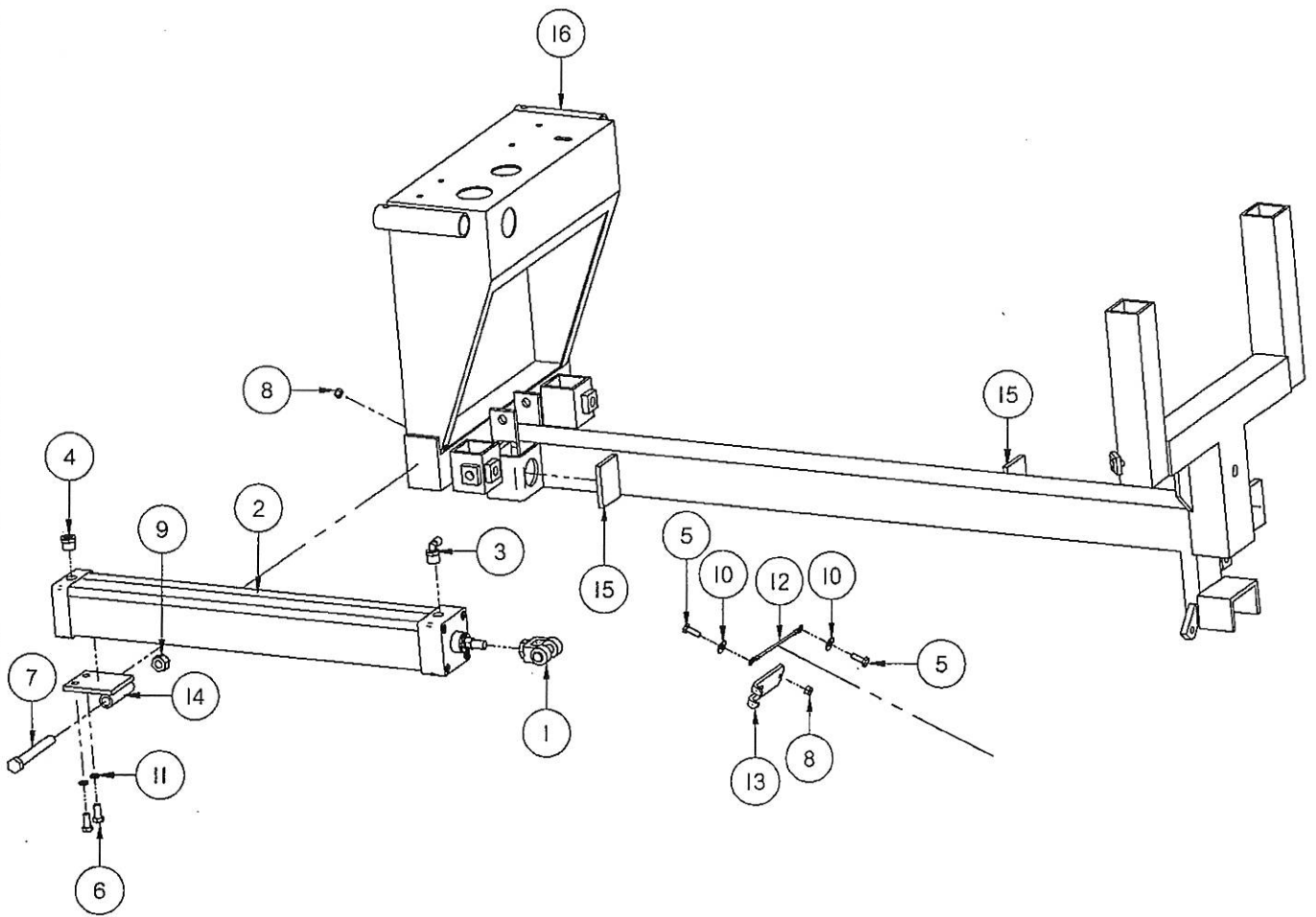
FNG80990-01

FRAME ASSEMBLY

| Item Number | File Name | Quantity | Description |
|-------------|--------------|----------|---------------------------------------|
| 1 | 0201WHL.par | 2 | 8" WHEEL WITH 5/8" BORE |
| 2 | 0202WHL.asm | 1 | REAR WHEEL |
| 3 | 0207WHL.asm | 2 | GUIDE WHEEL |
| 4 | 1820GRO.par | 4 | HANDLE GRIP |
| 5 | 2501BLT.par | 2 | 1/4" X 3/4" BOLT |
| 6 | 2540BLT.par | 4 | 3/8" X 1 1/4" BOLT |
| 7 | 2541BLT.par | 1 | 3/8" X 1 1/2" BOLT |
| 8 | 2562BLT.par | 7 | 1/2" X 1 1/2" BOLT |
| 9 | 2563BLT.par | 1 | 1/2" X 2" BOLT |
| 10 | 2564BLT.par | 2 | 1/2" X 2 1/2" BOLT |
| 11 | 2566BLT.par | 2 | 1/2" X 2 3/4" BOLT |
| 12 | 25675BLT.par | 1 | GREASE BOLT NUT |
| 13 | 25675BLT.par | 2 | GREASE BOLT |
| 14 | 2716NUT.par | 2 | 1/4" NYLON LOCK NUT |
| 15 | 2727NUT.par | 4 | 3/8" LOCKNUT |
| 16 | 2732NUT.par | 6 | 1/2" STANDARD NUT |
| 17 | 2734NUT.par | 4 | 1/2" LOCKNUT |
| 18 | 2801WAS.par | 2 | 1/4" FLAT WASHER |
| 19 | 2830WAS.par | 5 | 1/2" WASHER |
| 20 | 2831WAS.par | 4 | 7/8"OD X 1/2"ID WASHER 10GA |
| 21 | 2832WAS.par | 1 | 1/2" LOCK WASHER |
| 22 | 2851WAS.par | 2 | 3/4" X 10 GA. WASHER |
| 23 | 3029PIN.par | 4 | LOCK PIN |
| 24 | 3030PIN.par | 2 | 6" LANYARD WITH LOOPS |
| 25 | 3036PIN.par | 2 | SNAP RING |
| 26 | 3038PIN.par | 1 | SNAP RING 3/4" |
| 27 | MFA0602.par | 2 | REAR LEG 210 |
| 28 | MFA0609.par | 1 | BIT GUIDE |
| 29 | MFA0611.par | 2 | HANDLE SET SCREW |
| 30 | MFA0617.par | 2 | REAR LIFTING HANDLE |
| 31 | MFA0619.par | 2 | FRONT LIFTING HANDLE 210 |
| 32 | MFA0621.par | 1 | UPPER STABILIZER BRACKET RIGHT |
| 33 | MFA0622.par | 1 | UPPER STABILIZER BRACKET LEFT |
| 34 | MFA0674.par | 1 | SWIVEL BOLT |
| 35 | MFA0690.par | 1 | BIT GUIDE KEEPER |
| 36 | MNF05019.par | 1 | MAIN FRAME |
| 37 | MOB0908.par | 1 | FRONT MOBILE STABILIZER |
| 38 | MOB0915.par | 1 | GUIDE WHEEL SWIVEL ASSEMBLY RIGHT 210 |
| 39 | MOB0916.par | 1 | GUIDE WHEEL SWIVEL ASSEMBLY LEFT 210 |
| 40 | MOB0926.par | 2 | SLIDE LOCK |
| 41 | MOB0927.par | 1 | REAR AXLE ASSEMBLY 210 |

FNG80990-02

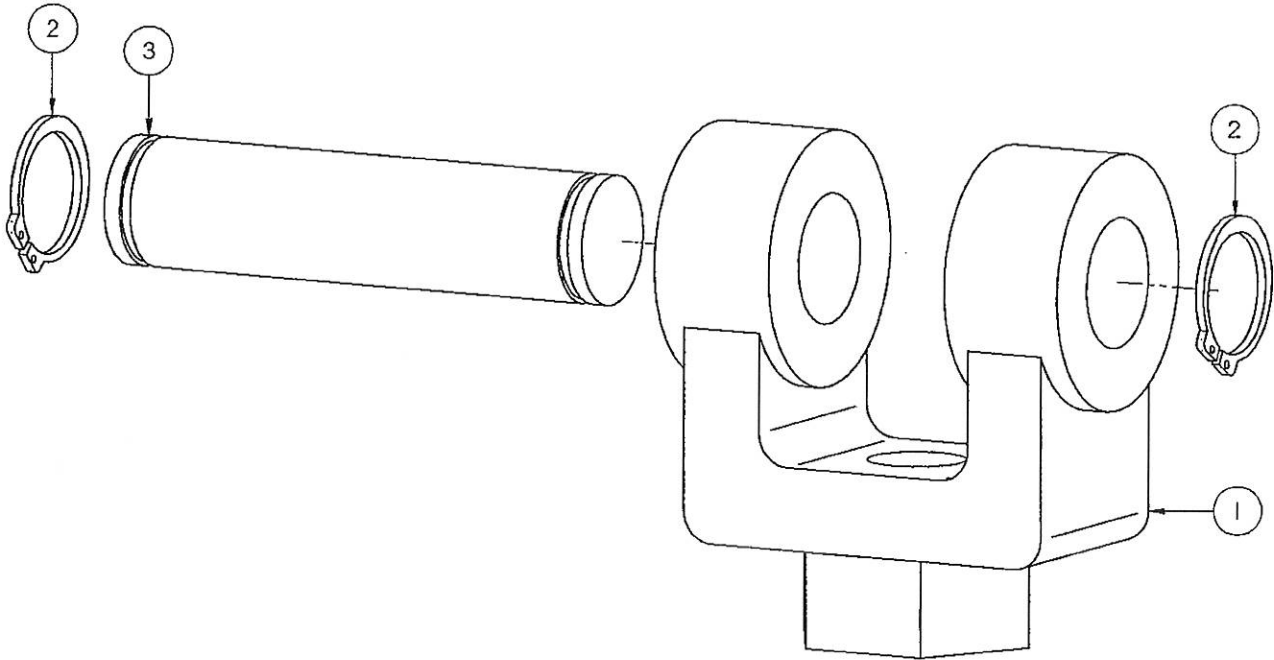
FEED CYLINDER ASSEMBLY



FEED CYLINDER ASSEMBLY

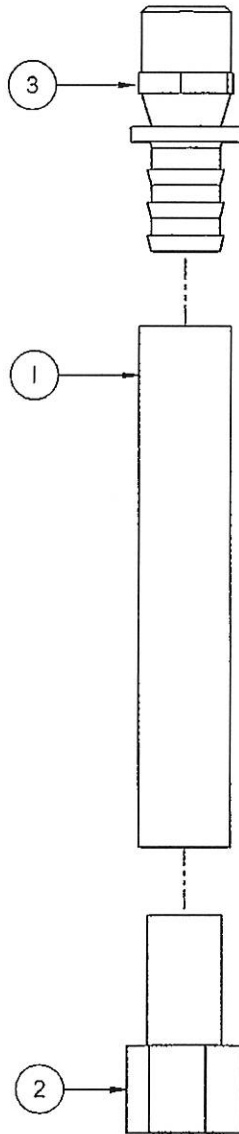
| Item Number | File Name | Quantity | Description |
|-------------|--------------|----------|---------------------------------|
| 1 | 0501cyl.asm | 1 | CYLINDER CLEVIS |
| 2* | 05141CYL.asm | 1 | 2.5" X 20" FEED CYLINDER |
| 3* | 2052fit.par | 1 | 1/4" TO 3/8" 90 DEG. FITTING |
| 4* | 2068fit.par | 1 | 1/4" TO 3/8" MALE CONN. FITTING |
| 5 | 2501blt.par | 2 | 1/4" X 3/4" BOLT |
| 6 | 2516blt.par | 2 | 5/16" X 3/4" FINE THREAD BOLT |
| 7* | 2570blt.par | 1 | 1/2" X 4" BOLT |
| 8 | 2716nut.par | 2 | 1/4" NYLON LOCK NUT |
| 9* | 2734nut.par | 1 | 1/2" LOCKNUT |
| 10* | 2801was.par | 2 | 1/4" FLAT WASHER |
| 11* | 2810was.par | 2 | 5/16" LOCK WASHER |
| 12* | 3030pin.par | 1 | 6" LANYARD WITH LOOPS |
| 13 | cra0218.par | 1 | CARRIAGE LOCK |
| 14* | mfa0624.par | 1 | FEED CYLINDER BRACKET (210) |
| 15 | mfa0626.par | 2 | STOP PAD |
| 16 | mnf05019.par | 1 | MAIN FRAME |

CYLINDER CLEVIS ASSEMBLY



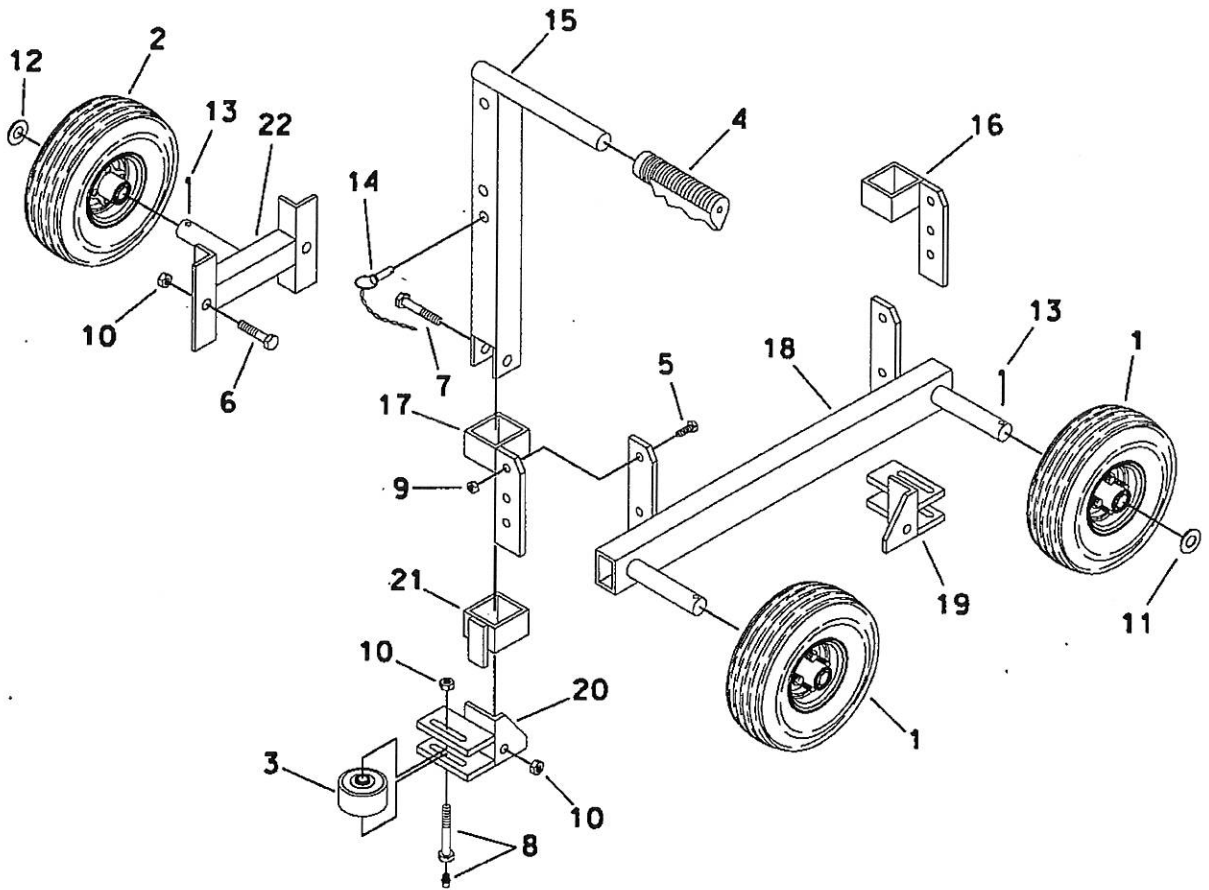
| Item Number | File Name | Quantity | Description |
|-------------|-------------|----------|---------------------|
| 1 | 0501CYL.par | 1 | CYLINDER CLEVIS |
| 2 | 3002PIN.par | 2 | SNAP RING |
| 3 | 3002PIN.par | 1 | CYLINDER CLEVIS PIN |

DRILL MOTOR HOSE ASSEMBLY



| Item Number | File Name | Quantity | Description |
|-------------|--------------|----------|------------------------------|
| 1 | I904HOS.par | 1 | 3/4" PUSH ON HOSE |
| 2 | I9989FIT.par | 1 | 3/4" HOSE X 3/4" FEMALE PIPE |
| 3* | I999FIT.par | 1 | 3/4" X 3/4" HOSE SWIVEL |

MOBILE SYSTEM



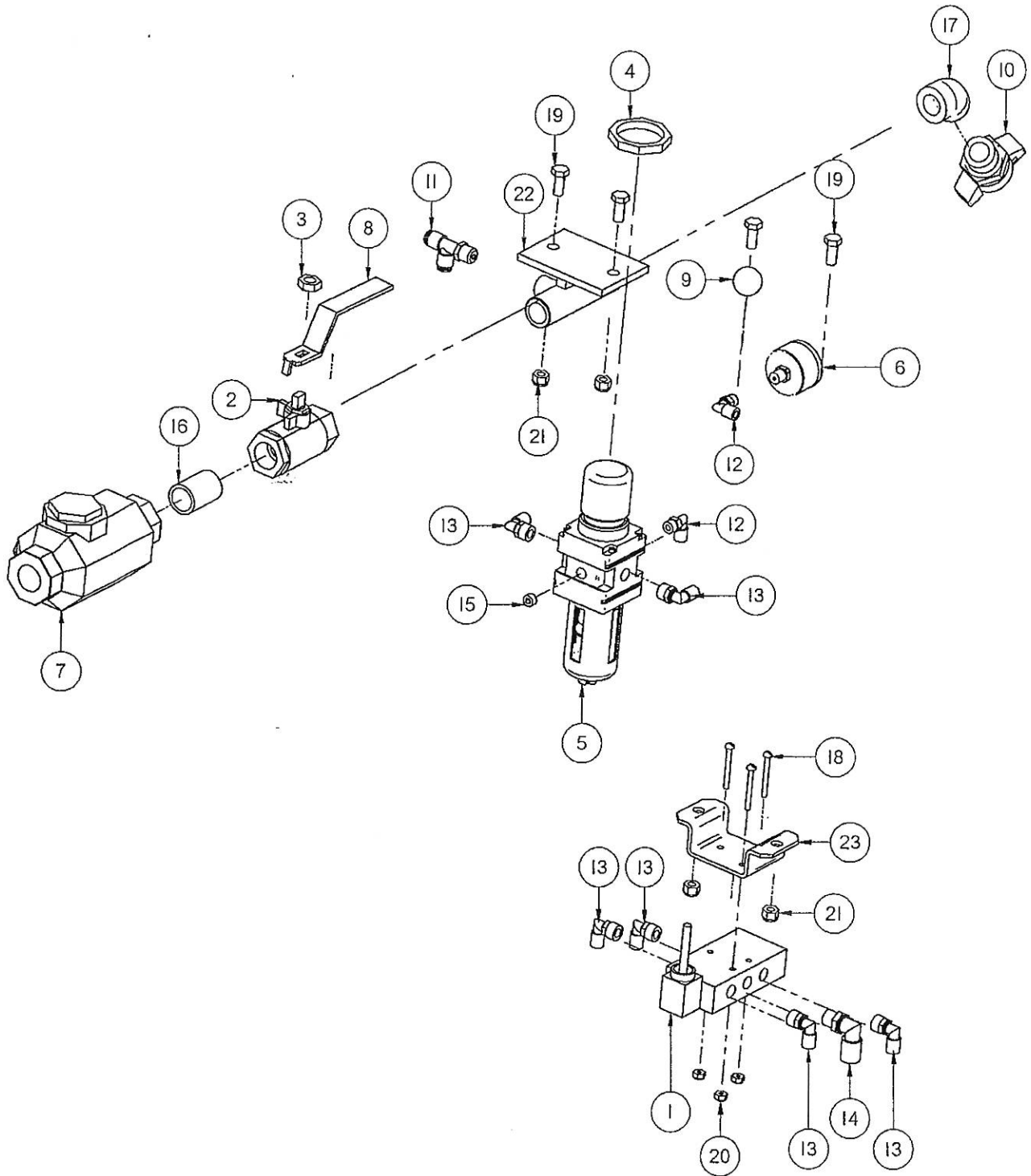
FNG80990-50

MOBILE SYSTEM

| ITEM | PART NO | QTY | DESCRIPTION |
|------|----------|-----|-----------------------------------|
| 1. | 0201WHL | 2 | FRONT WHEEL |
| 2. | 0202WHL | 1 | REAR WHEEL |
| 3. | 0207WHL | 2 | GUIDE WHEEL |
| 4. | 1820GRO | 2 | HANDLE GRIP |
| 5. | 2540BLT | 4 | BOLT (3/8" X 1-1/4") |
| 6. | 2562BLT | 2 | BOLT (1/2" X 2-1/2") |
| 7. | 2566BLT | 2 | BOLT (1/2" X 2-3/4") |
| 8. | 25675BLT | 2 | BOLT (1/2" X 3-1/2" W/GREASE FIT) |
| 9. | 2727NUT | 4 | LOCKNUT (3/8") |
| 10. | 2734NUT | 6 | LOCKNUT (1/2") |
| 11. | 2841WAS | 4 | WASHER (5/8") |
| 12. | 2851WAS | 1 | FLAT WASHER (3/4") |
| 13. | 3022PIN | 3 | COTTER PIN |
| 14. | 3029PIN | 2 | LOCK PIN W/CHAIN |
| 15. | MFA0619 | 2 | FRONT LIFTING HANDLE |
| 16. | MFA0621 | 1 | UPPER STABILIZER BRACKET-RT |
| 17. | MFA0622 | 1 | UPPER STABILIZER BRACKET-LT |
| 18. | MOB0908 | 1 | FRONT MOBILE STABILIZER |
| 19. | MOB0915 | 1 | GUIDE WHEEL SWIVEL ASSY-RT |
| 20. | MOB0916 | 1 | GUIDE WHEEL SWIVEL ASSY-LT |
| 21. | MOB0926 | 2 | SLIDE LOCK |
| 22. | MOB0927 | 1 | REAR AXLE ASSEMBLY |

FNG80990-50

CONTROL PANEL ASSEMBLY



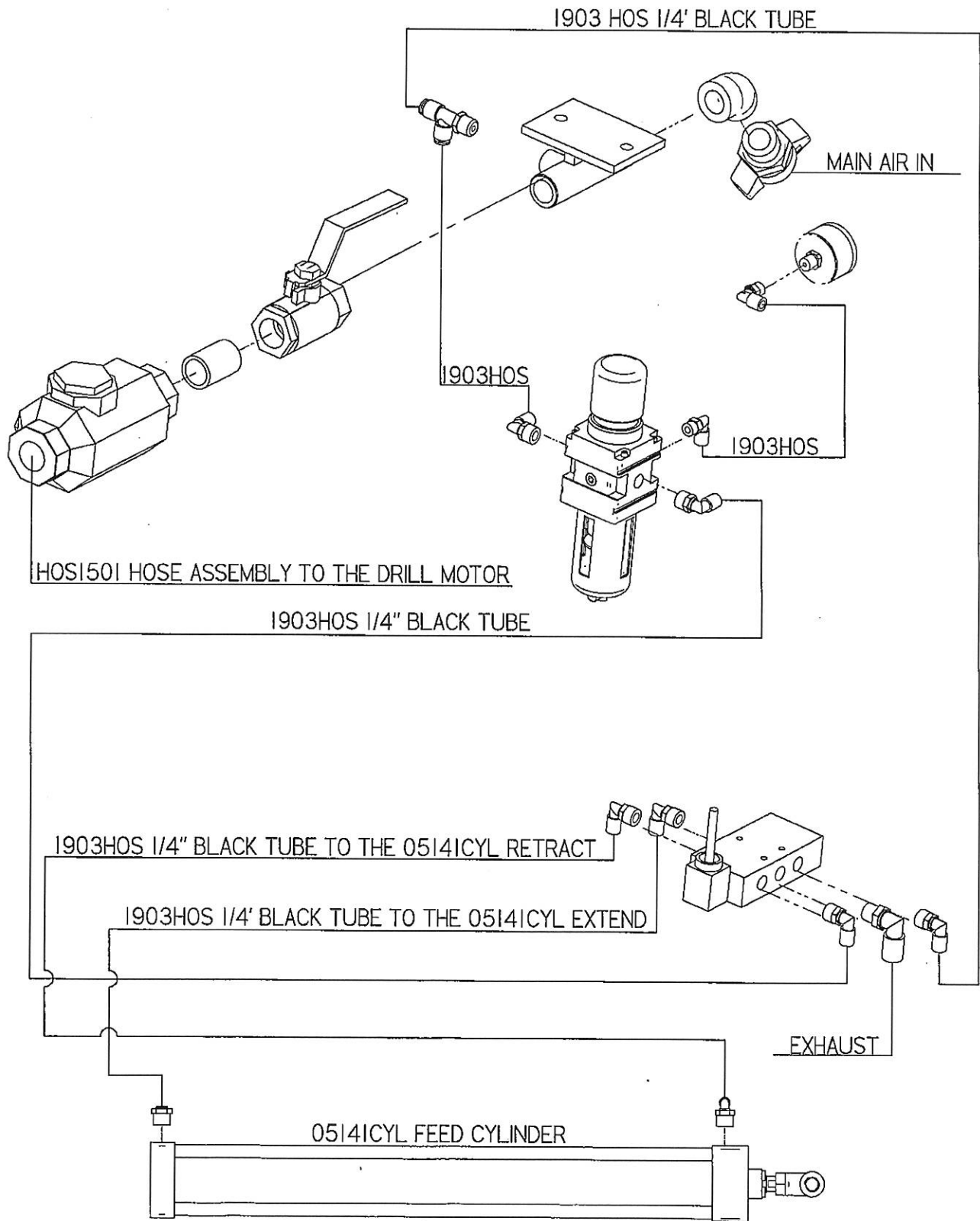
FNG80990-07

CONTROL PANEL ASSEMBLY

| Item Number | File Name | Quantity | Description |
|-------------|----------------|----------|---------------------------------|
| 1 | 060102VAL.par | 1 | 3 WAY POSITION VALVE WITH KNOB |
| 2 | 0615VAL.par | 1 | 3/4" BRASS BALL VALVE |
| 3 | 0615VALNUT.par | 1 | NUT |
| 4 | 08058REG.par | 1 | LOCK RING FOR 08092REG |
| 5 | 08092REG.par | 1 | AIR PRESSURE REGULATOR |
| 6 | 09022GAU.par | 1 | GAUGE 0-60 1/8" MPT |
| 7 | 16010IL.par | 1 | 3/4" PINT OILER |
| 8 | 17415RPT.par | 1 | BALL VALVE HANDLE |
| 9 | 17420IRPT.par | 1 | KNOB |
| 10 | 2006FIT.par | 1 | 3/4" MALE PIPE TO QUICK COUPLER |
| 11 | 2035FIT.par | 1 | 1/4" X 1/4" MALE RUN T |
| 12 | 2050FIT.par | 2 | 1/4" TO 1/8" 90 DEG. FITTING |
| 13 | 2051FIT.par | 6 | 1/4" TO 1/4" 90 DEG. FITTING |
| 14 | 2053FIT.par | 1 | 3/8" TO 1/4" MALE 90 |
| 15 | 21010PFT.par | 1 | 1/8" PIPE PLUG |
| 16 | 2114PFT.par | 1 | 3/4" X 1 1/2" NIPPLE |
| 17 | 214795PFT.par | 1 | 1/2" 45 DEG. ELBOW |
| 18 | 2478BLT.par | 3 | 8/32" X 1 1/2" BOLT |
| 19 | 2519BLT.par | 4 | 5/16" X 3/4" BOLT |
| 20 | 2712NUT.par | 3 | 8/32" NYLON LOCK NUT |
| 21 | 2719NUT.par | 4 | 5/16" NYLON LOCK NUT |
| 22 | MFA0677.par | 1 | MANIFOLD |
| 23 | SRUI3460.psm | 1 | VALVE SPACER |

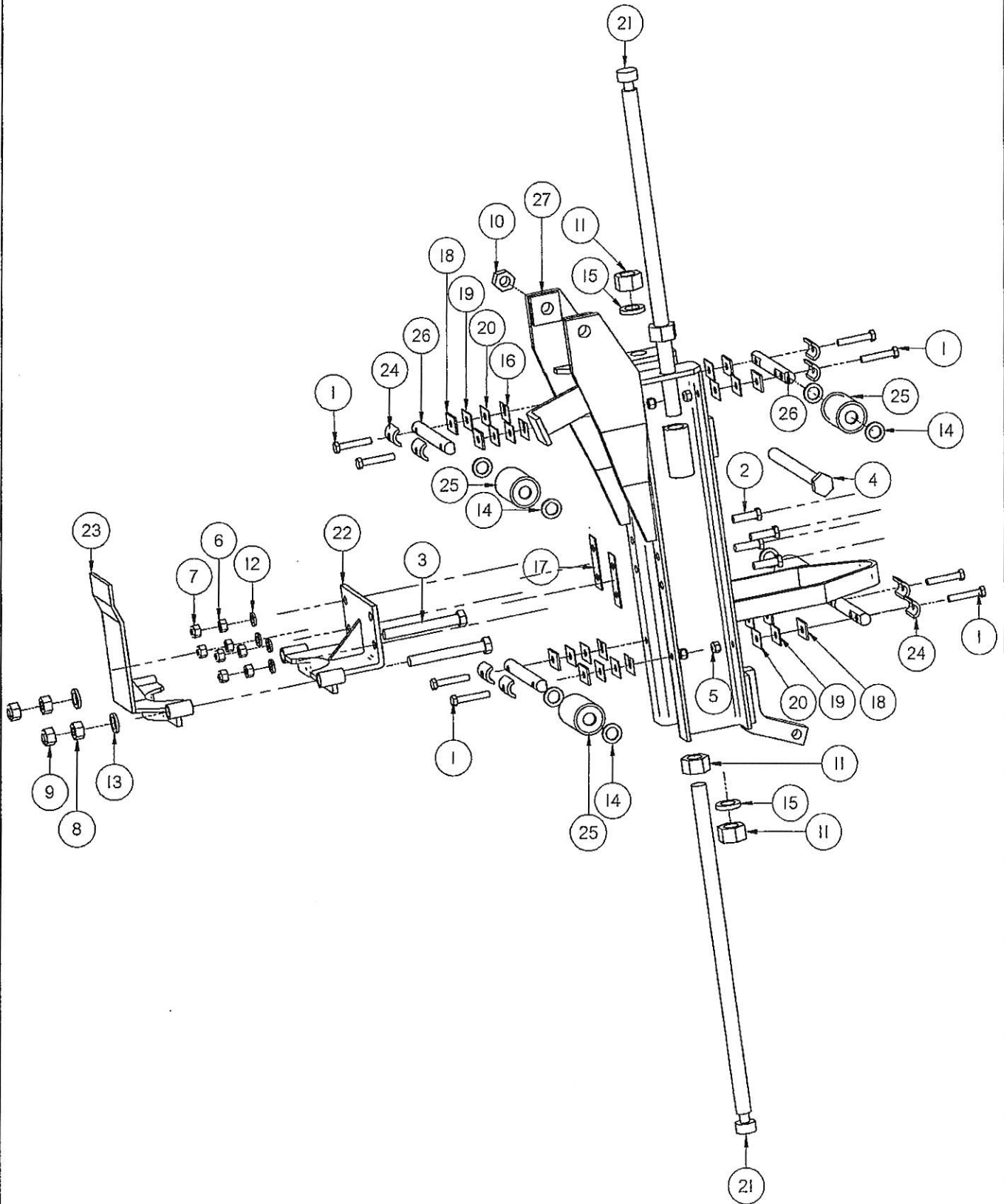
FNG80990-08

CONTROL PANEL SCHEMATIC



FNG80990-09

CARRIAGE ASSEMBLY

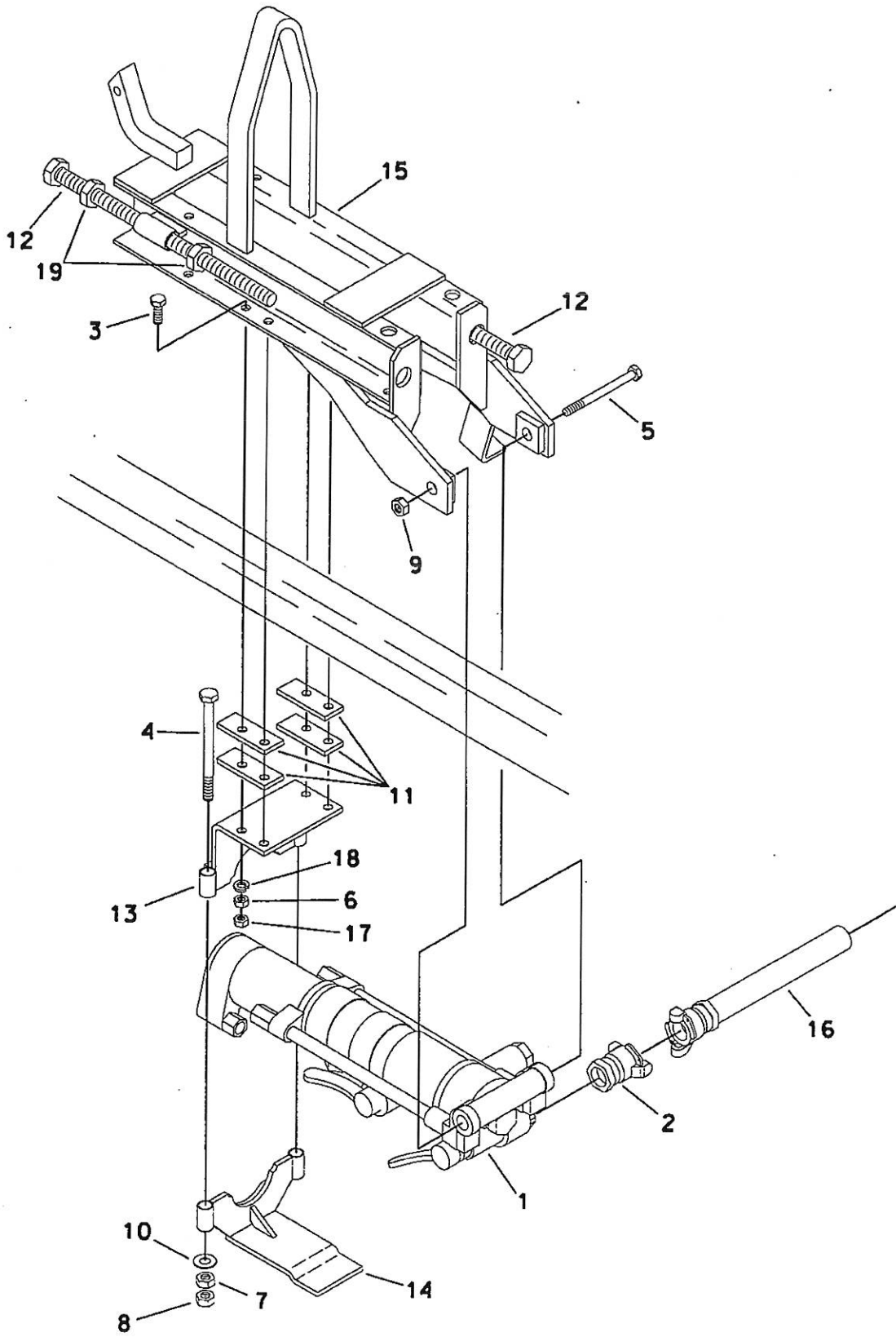


FNG80990-03

CARRIAGE ASSEMBLY

| Item Number | File Name | Quantity | Description |
|-------------|--------------|----------|----------------------------------|
| 1 | 2526blt | 8 | 5/16" X 1 1/2" BOLT |
| 2 | 2540blt.par | 4 | 3/8" X 1 1/4" BOLT |
| 3 | 2570blt.par | 2 | 1/2" X 4" BOLT |
| 4 | 2590blt.par | 1 | 5/8" X 8" BOLT |
| 5 | 2719nut.par | 4 | 5/16" NYLON LOCK NUT |
| 6 | 2725nut.par | 4 | 3/8" STANDARD NUT |
| 7 | 2727nut.par | 4 | 3/8" LOCKNUT |
| 8 | 2732nut.par | 2 | 1/2" STANDARD NUT |
| 9 | 2734nut.par | 2 | 1/2" LOCKNUT |
| 10 | 2742nut.par | 1 | 5/8" LOCKNUT |
| 11 | 27490nut.par | 4 | 3/4" COIL ROD NUT |
| 12 | 2821was.par | 4 | 3/8" LOCK WASHER |
| 13 | 2832was.par | 2 | 1/2" LOCK WASHER |
| 14 | 2841was.par | 7 | 5/16" WASHER |
| 15 | 2852was.par | 2 | 3/4" LOCK WASHER |
| 16 | 7009tab.par | 4 | STAINLESS STEEL SHIM (AS NEEDED) |
| 17 | 7010tab.par | 2 | 16 GA. TWO HOLE SHIM |
| 18 | 7011tab.par | 8 | 12 GA. SHIM (AS NEEDED) |
| 19 | 7012tab.par | 8 | 18 GA. SHIM (AS NEEDED) |
| 20 | 7013tab.par | 8 | 22 GA. SHIM (AS NEEDED) |
| 21 | CRA02030.asm | 2 | 3/4 X 18" STOP ROD |
| 22 | cra0214.par | 1 | UPPER DRILL BRACKET |
| 23 | cra0216.par | 1 | LOWER DRILL BRACKET |
| 24 | cra0230.par | 8 | BEARING KEEPER |
| 25 | cra0233.par | 4 | ROLLER BEARING DRUM |
| 26 | cra0234.par | 4 | ROLLER BEARING AXLE |
| 27 | CRG01021.par | 1 | CARRIAGE, MODEL 210B |

CARRIAGE / AIR DRILL



FNG80990-90

CARRIAGE / AIR DRILL

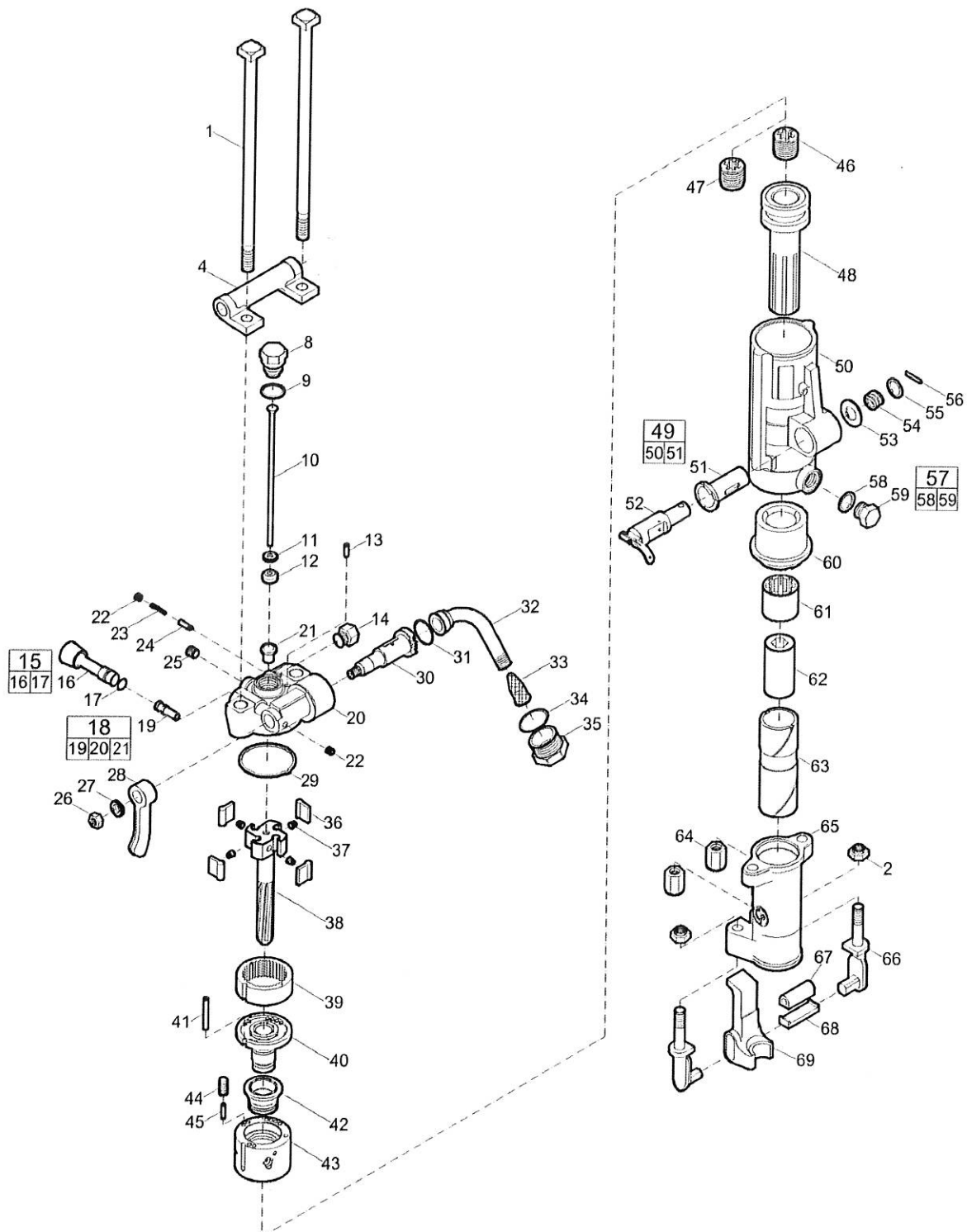
| ITEM | PART NO | QTY | DESCRIPTION |
|-------|---------|-----|-----------------------|
| 1. | 0101DRL | 1 | CP 32 A ROCK DRILL |
| 2. | 2009FIT | 1 | HOSE FITTING |
| 3. | 2540BLT | 4 | BOLT (3/8" X 1-1/4") |
| 4. | 2570BLT | 2 | BOLT (1/2" X 4") |
| 5. | 2590BLT | 1 | BOLT (5/8" X 8") |
| 6. | 2727NUT | 4 | LOCKNUT (3/8") |
| 7. | 2732NUT | 2 | STD NUT (1/2") |
| 8. | 2734NUT | 2 | LOCKNUT (1/2") |
| 9. | 2742NUT | 1 | LOCKNUT (5/8") |
| 10. | 2832WAS | 2 | WASHER (1/2") |
| 11. | 7010TAB | 4 | SHIM (16 GA - 2 HOLE) |
| **12. | CRA0202 | 2 | STOP ROD |
| 13. | CRA0214 | 1 | BRACKET |
| 14. | CRA0216 | 1 | BRACKET |
| 15. | CRG0102 | 1 | CARRIAGE |
| 16. | HOS1501 | 1 | FEED BAR TO DRILL |
| 17. | 2725NUT | 4 | STD NUT (3/8") |
| 18. | 2821WAS | 4 | LOCKWASHER (3/8") |
| **19. | 2731NUT | 4 | COIL NUT (1/2") |

** REFER TO SERIAL NUMBER

| | | |
|-----------|---|--|
| CRA02030 | 2 | STOP ROD 3/4" x 18" - 210 (AFTER S/N: M-1857) |
| 27490 NUT | 4 | 3/4" COIL ROD NUT (AFTER S/N: M-1857) |

FNG80990-90

Spare parts list CP 0032 A 7/8" x 3 1/4"



Refer to the Parts Online web page for most up-to-date information. The printed information might be outdated.

| Item | Part No. | Name | Qty | L |
|------|----------|----------------------------------|-----|---|
| 1 | R086623 | Bolt - Thru | 2 | |
| 2 | R005742 | Nut - Elastic stop | 2 | A |
| 4 | R086608 | Bracket - Handle | 1 | |
| 8 | R076793 | Plug - Air tube | 1 | |
| 9 | R000537 | Gasket - Tube plug | 2 | |
| 10 | R077184 | Tube - Air | 1 | |
| 11 | R075449 | Washer - Air tube | 1 | |
| 12 | R075099 | Rubber - Air tube | 1 | |
| 13 | R075802 | Pin - Valve plunger | 1 | |
| 14 | R076372 | Plug - Water valve | 1 | |
| 15 | R079130 | Water valve port plug, complete | 1 | |
| 16 | - | Water valve port plug | 1 | |
| 17 | C079489 | O-ring | 1 | |
| 18 | R087948 | Backhead, complete | 1 | |
| 19 | R098054 | Bushing - Water valve | 1 | |
| 20 | - | Backhead | 1 | |
| 21 | R137738 | Bushing - Blow tube | 1 | |
| 22 | C068064 | Plug - Pipe | 2 | |
| 23 | R085671 | Spring - Valve plunger | 1 | |
| 24 | R086627 | Plunger - Throttle valve | 1 | |
| 25 | C068799 | Plug - pipe, Ø 1/4 in., Ø 6.5 mm | 1 | C |
| 26 | P002149 | Nut - Hexagon | 1 | D |
| 27 | C036717 | Lockwasher - Head latch | 1 | E |
| 28 | R079124 | Handle - Throttle valve | 1 | |
| 29 | H0979432 | Gasket | 1 | |
| 30 | R086628 | Valve - Throttle | 1 | |
| 31 | P103521 | O-ring | 1 | |
| 32 | R075265 | Swivel - Air inlet | 1 | |
| 33 | R005584 | Screen - Air inlet | 1 | |
| 34 | R110317 | O-ring | 1 | |
| 35 | R000530 | Air swivel nut | 1 | |
| 36 | R075267 | Pawl | 4 | |
| 37 | R086654 | Spring - Pawl | 4 | |
| 38 | R086622 | Bar - Rifle | 1 | |

Refer to the Parts Online web page for most up-to-date information. The printed information might be outdated.

| Item | Part No. | Name | Qty | L |
|------|----------|---|-----|---|
| 39 | R076194 | Ring - Ratchet | 1 | |
| 40 | R098085 | Bushing - Valve guide | 1 | |
| 41 | R075772 | Pin - Valve case dowel | 1 | |
| 42 | R076263 | Valve | 1 | |
| 43 | R076264 | Case - Valve | 1 | |
| 44 | R098084 | Plug - Oil regulating | 1 | |
| 45 | R085625 | Stem - Oil regulating | 1 | |
| 46 | R075839 | Nut - Rifle bar | 1 | F |
| 47 | R075826 | Nut - Rifle bar | 1 | G |
| 48 | R000088 | Piston | 1 | |
| 49 | R087990 | Cylinder, complete | 1 | |
| 50 | -- | Cylinder | 1 | |
| 51 | R086611 | Bushing - Blower valve | 1 | |
| 52 | R086612 | Valve - Blower | 1 | |
| 53 | R075777 | Washer - Blower valve | 1 | |
| 54 | R075778 | Spring - Blower valve | 1 | |
| 55 | R075780 | Washer - Valve spring | 1 | |
| 56 | R076266 | Pin - Spring | 1 | |
| 57 | R085611 | Oil plug, complete | 1 | |
| 58 | R091176 | Gasket - Oil plug | 1 | |
| 59 | -- | Oil plug | 1 | |
| 60 | R042161 | Bushing - Cylinder | 1 | |
| 61 | R086733 | Nut - Chuck rotation | 1 | |
| 62 | R099374 | Chuck, 7/8" x 31/4" (22 x 82.5 mm) | 1 | |
| 63 | R041321 | Sleeve - Chuck, 7/8" x 31/4" (22 x 82.5 mm) | 1 | |
| 64 | R085756 | Nut - Thru bolt | 2 | |
| 65 | R041320 | Fronthead, 7/8" x 31/4" (22 x 82.5 mm) | 1 | |
| 66 | R093896 | Tunnion - Retainer | 2 | |
| 67 | R093897 | Buffer - Retainer | 1 | |
| 68 | R093898 | Retainer - Latch shoe | 1 | |
| 69 | R093913 | Retainer, 7/8" (22 mm) | 1 | |

Comments for Page: CP 0032 A 7/8" x 31/4"

(L)OCAL REMARKS

A | 5/8" - 11

B | 1/8"

C | 1/4"

Refer to the Parts Online web page for most up-to-date information. The printed information might be outdated.