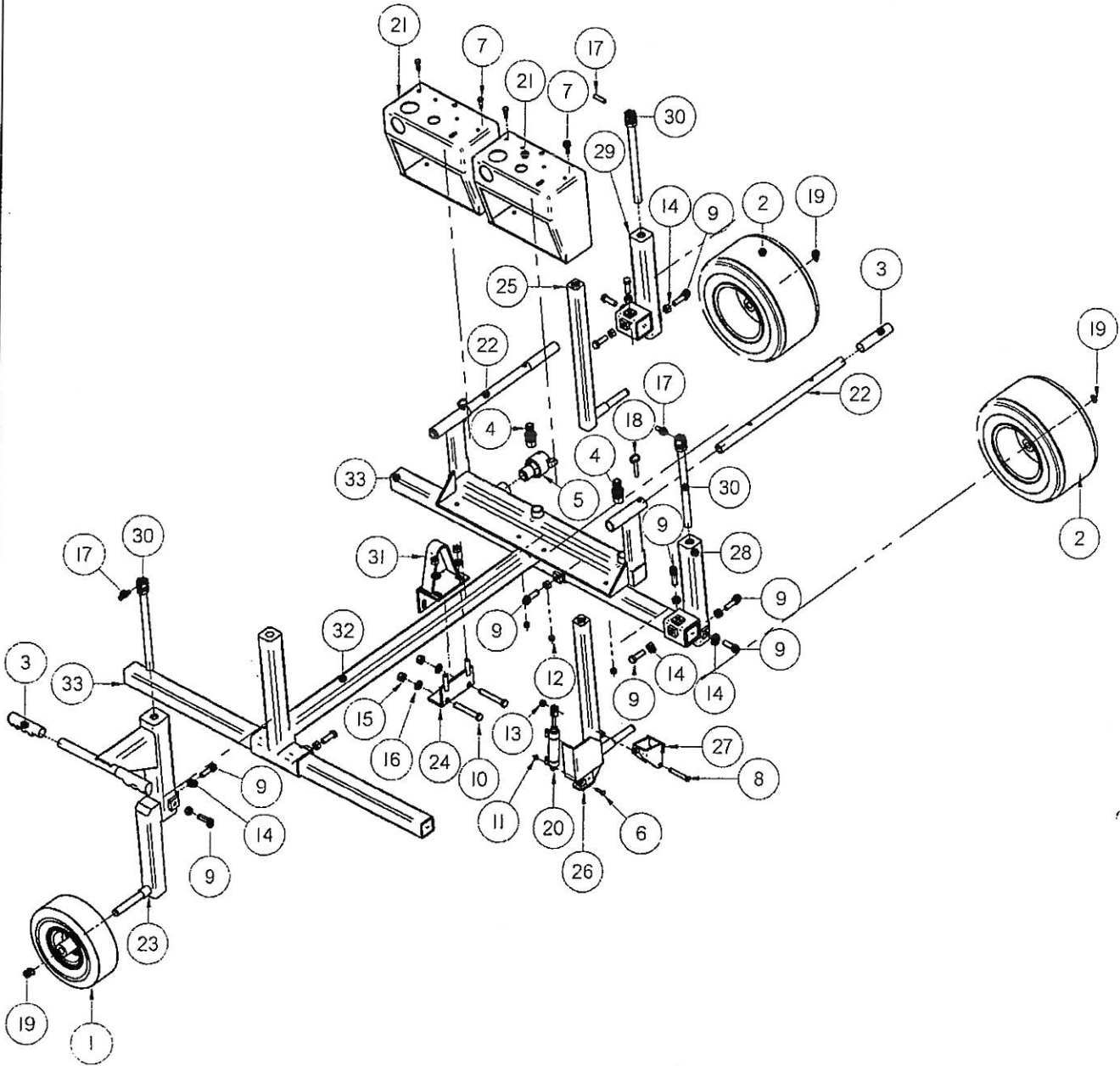


PARTS ASSEMBLY



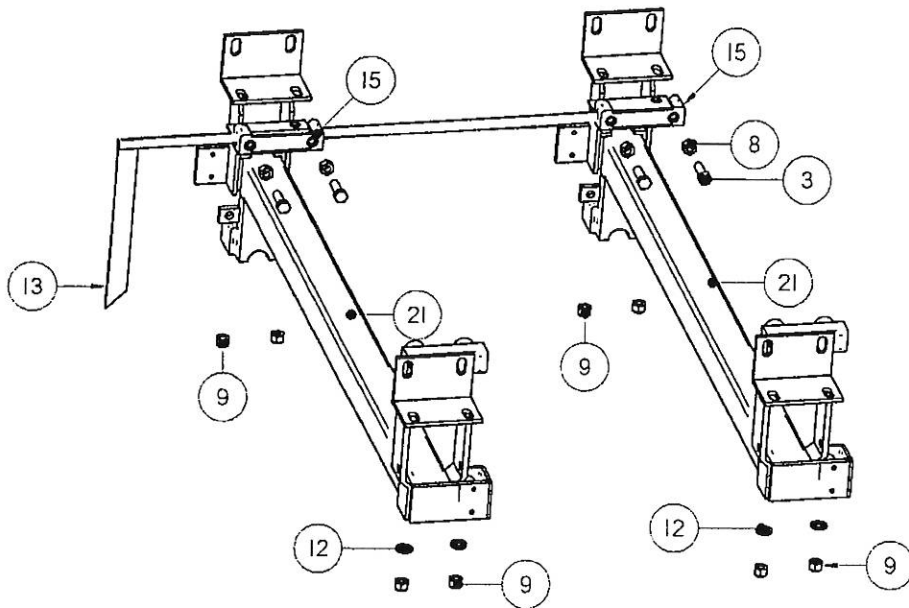
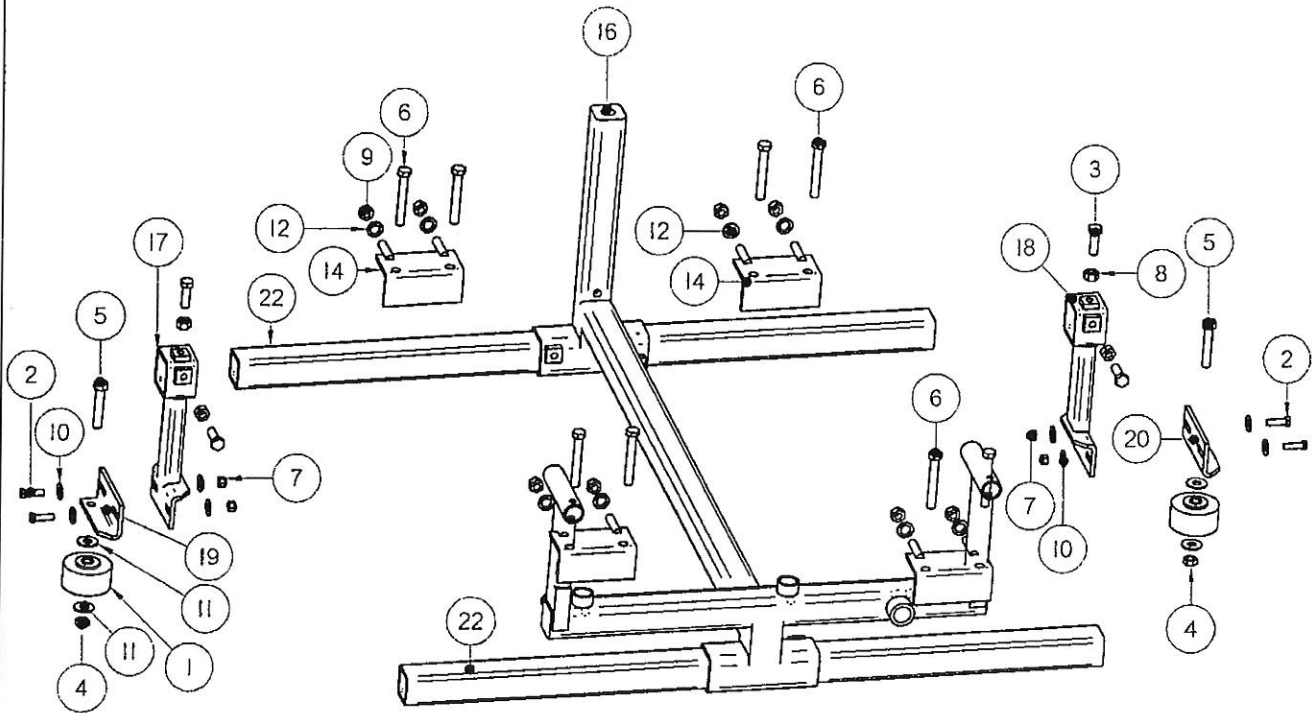
FNG8112-10

PARTS ASSEMBLY

Item Number	File Name	Quantity	Description
1	0202WHL.asm	1	REAR WHEEL
2	0213WHL.par	2	REAR WHEEL 210-2
3'	1820GRO.par	4	HANDLE GRIP
4	1999FIT.par	2	3/4" X 3/4" HOSE SWIVEL
5	2009IFIT.asm	1	QUICK COUPLING 1" MALE PIPE
6	2503BLT.par	1	1/4" X 1" BOLT
7	2520BLT.par	4	5/16" X 1" BOLT
8	2546BLT.par	1	3/8" X 2 1/2" BOLT
9	2562BLT.par	12	1/2" X 1 1/2" BOLT
10	2568BLT.par	2	1/2" X 3 1/2" BOLT
11	2716NUT.par	1	1/4" NYLON LOCK NUT
12	2719NUT.par	3	5/16" NYLON LOCK NUT
13	2727NUT.par	1	3/8" LOCKNUT
14	2732NUT.par	12	1/2" STANDARD NUT
15	2734NUT.par	4	1/2" LOCKNUT
16	2831WAS.par	4	7/8"OD X 1/2"ID WASHER 10GA.
17	3006PIN.par	3	3/8" X 1 1/2" ROLL PIN
18	3029PIN.par	2	LOCK PIN
19	3036PIN.par	3	SNAP RING
20	BRAKECYLASM.asm	1	BRAKE CYLINDER ASSEMBLY
21	MFA06150.par	2	CONTROL PANEL
22	MFA0617.par	2	REAR LIFTING HANDLE
23	MFA0641.par	1	FRONT HANDLE ASSEMBLY
24	MFA06420.par	1	2" FEED BAR CLAMP
25	MFA0656.par	1	REAR WHEEL ASSEMBLY
26	MFA0657.par	1	REAR WHEEL ASSEMBLY WITH BRAKE
27	MFA0658.par	1	BRAKE PAD
28'	MFA0659.par	1	LEFT REAR LEG SCREW JACK
29	MFA06590.par	1	RIGHT REAR LEG SCREW JACK
30'	MFA06591.par	3	SCREW JACK
31	MFA0660.par	1	LIFTING BALE
32'	MNF0514.par	1	STANDARD 2 GANG FRAME
33	SRU1318.par	2	OUTSIDE TOOL BAR

FNG8112-10

POINTER AND GUIDE WHEEL ASSEMBLIES



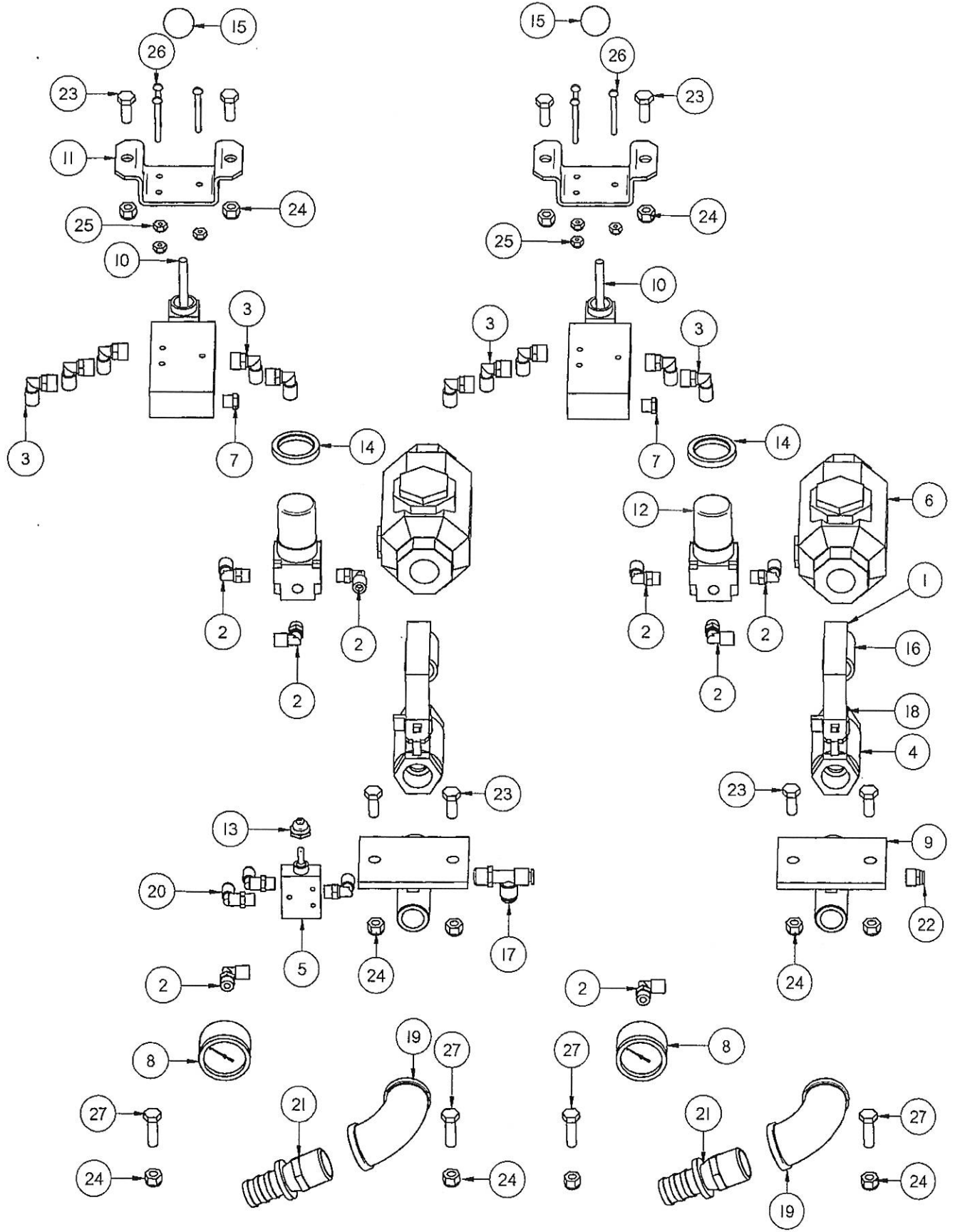
FNG8112-20

POINTER AND GUIDE WHEEL ASSEMBLIES

Item Number	File Name	Quantity	Description
1	0207WHL.asm	2	GUIDE WHEEL
2	2540BLT.par	4	3/8" X 1 1/4" BOLT
3	2562BLT.par	8	1/2" X 1 1/2" BOLT
4	25674BLT.par	2	GREASE BOLT KIT (NUT)
5	25674BLT.par	2	GREASE BOLT KIT (BOLT)
6	2568BLT.par	8	1/2" X 3 1/2" BOLT
7	2727NUT.par	4	3/8" LOCKNUT
8	2732NUT.par	8	1/2" STANDARD NUT
9	2734NUT.par	16	1/2" LOCKNUT
10	2820WAS.par	8	3/8" HARDENED FLAT WASHER
11	2830WAS.par	4	1/2" WASHER
12	2831WAS.par	12	7/8"OD X 1/2"ID WASHER 10GA.
13	MFA0635.par	1	POINTER
14	MFA06420.par	4	2" FEED BAR CLAMP
15	MFA0654.par	2	HOLE SPACING BRACKET SR GANG
16	MNF0514.par	1	STANDARD 2 GANG FRAME
17	MOB0910.par	1	GUIDE WHEEL BRACKET LEFT
18	MOB0911.par	1	GUIDE WHEEL BRACKET RIGHT
19	MOB0913.par	1	RIGHT GUIDE WHEEL PLATE (MODEL 200)
20	MOB0914.par	1	LEFT GUIDE WHEEL PLATE (MODEL 200)
21	SRSI6334.par	2	FEED BAR
22	SRUI318.par	2	OUTSIDE TOOL BAR

FNG8112-20

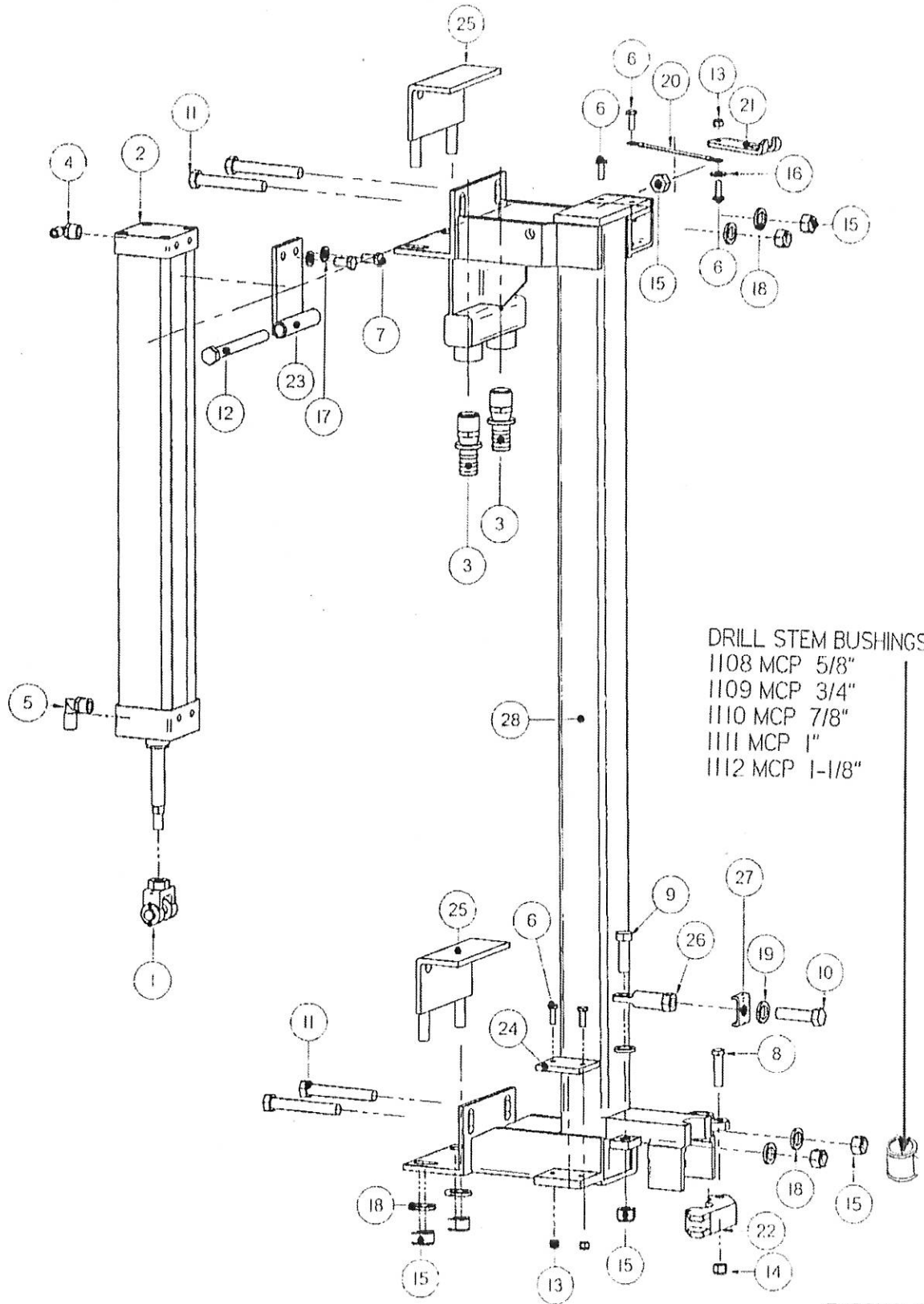
CONTROL PANEL ASSEMBLY



CONTROL PANEL ASSEMBLY

Item Number	File Name	Quantity	Description
1	17415rpt.par	2	BALL VALVE HANDLE
2	2050fit.par	9	1/4" TO 1/8" 90 DEG. FITTING
3	2051fit.par	10	1/4" TO 1/4" 90 DEG. FITTING
4	0615val.par	2	3/4" BRASS BALL VALVE
5	06095val.par	1	TOGGLE SWITCH
6	1601oil.par	2	3/4" PINT OILER
7	1001brv.par	2	1/8" BREATHER VENT
8	09022gau.par	2	GAUGE 0-60 1/8" MPT
9	mfa0677.par	2	MANIFOLD
10	060102val.par	2	3 WAY POSITION VALVE WITH KNOB
11	srul3460.psm	2	VALVE SPACER
12	081010REG.par	2	REGULATOR WITH LOCK RING
13	1828gro.par	1	RED BOOT FOR 06095VAL
14	17060RPT.par	2	REGULATOR LOCK RING
15	174201rpt.par	2	KNOB
16	2114pft.par	2	3/4" X 1 1/2" NIPPLE
17	2035fit.par	1	1/4" X 1/4" MALE RUN T
18	27694nut.par	2	7/16" JAM NUT
19	2150pft.par	2	3/4" 90 PIPE FITTING
20	20751fit.par	2	1/8" X 1/8" 90 DEG. SWIVEL
21	1999fit.par	2	3/4" X 3/4" HOSE SWIVEL
22	2067fit.par	1	1/4" TO 1/4" MALE CONNECTOR
23	2519blt.par	8	5/16" X 3/4" BOLT
24	2719nut.par	12	5/16" NYLON LOCK NUT
25	2712nut.par	6	8/32" NYLON LOCK NUT
26	2478blt.par	6	8/32" X 1 1/2" BOLT
27	2520blt.par	4	5/16" X 1" BOLT

FEED BAR ASSEMBLY



FNC8112-40

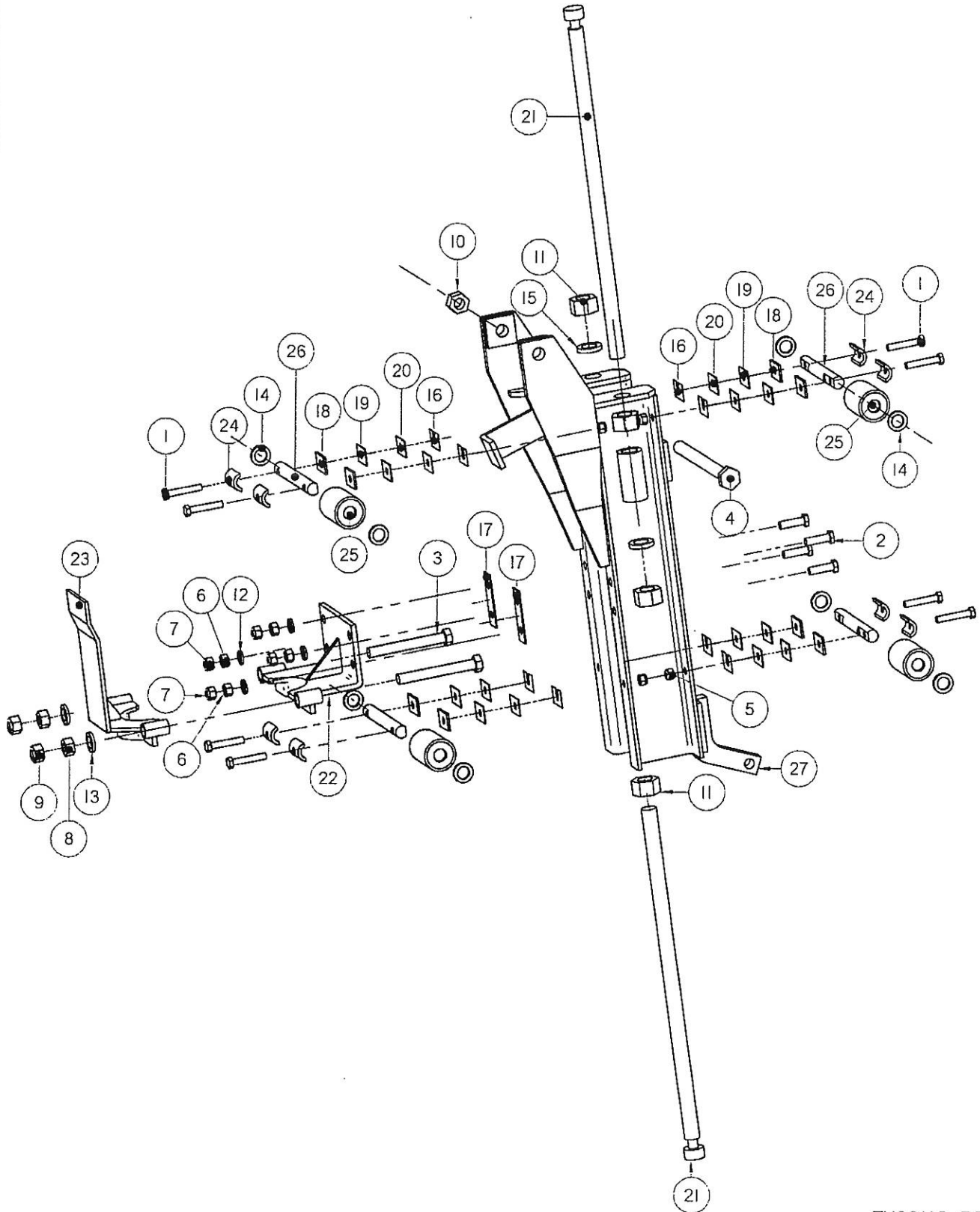
FEED BAR ASSEMBLY

Item Number	File Name	Quantity	Description
1	0501CYL.asm	1	CLEVIS WITH PIN FOR 5/8" ROD
2 *	05140CYL.asm *	1	2.5" X 20" FEED CYLINDER *
3*	1999FIT.par	2	3/4" X 3/4" HOSE SWIVEL
4	2052FIT.par	1	1/4" TO 3/8" 90 DEG. FITTING
5	2054FIT.par	1	3/8" X 3/8" 90 DEG. FITTING
6	2501BLT.par	5	1/4" X 3/4" BOLT
7*	2537BLT.par	2	3/8" X 3/4" BOLT
8	2541BLT.par	1	3/8" X 1 1/2" BOLT
9	2562BLT.par	1	1/2" X 1 1/2" BOLT
10	2563BLT.par	1	1/2" X 2" BOLT
11	2568BLT.par	4	1/2" X 3 1/2" BOLT
12*	2575BLT.par	1	1/2" X 5" BOLT
13	2716NUT.par	4	1/4" NYLON LOCK NUT
14	2727NUT.par	1	3/8" LOCKNUT
15	2734NUT.par	10	1/2" LOCKNUT
16	2801WAS.par	1	1/4" FLAT WASHER
17	2821WAS.par	2	3/8" LOCK WASHER
18	2831WAS.par	9	7/8"OD X 1/2"ID WASHER 10GA.
19	2832WAS.par	1	1/2" WASHER
20	3030PIN.par	1	6" LANYARD WITH LOOPS
21*	CRA0218.par	1	CARRIAGE LOCK
22	MFA0609.par	1	BIT GUIDE
23*	MFA0625.par	1	FEED CYLINDER MOUNT BRACKET
24*	MFA0626.par	2	STOP PAD
25	MFA06420.par	2	2" FEED BAR CLAMP
26	MFA0674.par	1	SWIVEL BOLT
27*	MFA0690.par	1	BIT GUIDE KEEPER
28*	SRSI6334.par	1	FEED BAR

* After s/n U-3412, use 05141 CYL

FNG8112-40

CARRIAGE ASSEMBLY



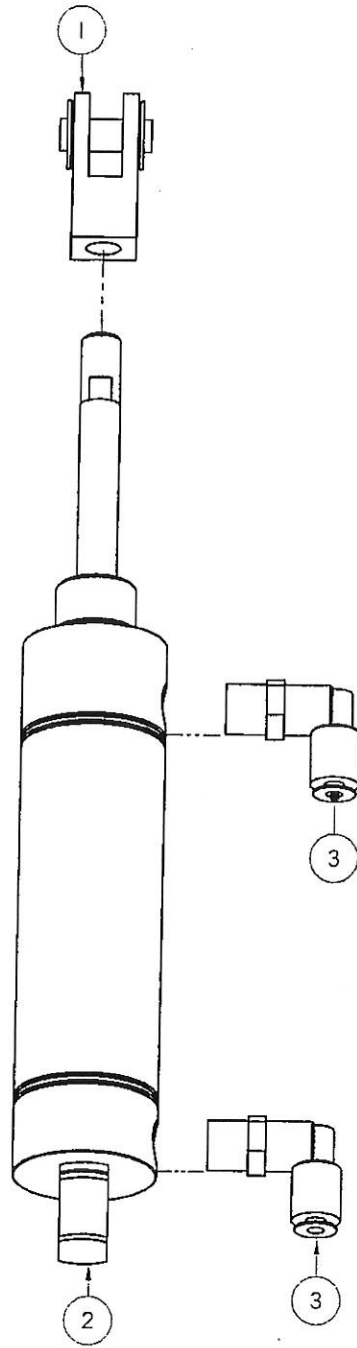
FNG8112-50

CARRIAGE ASSEMBLY

Item Number	File Name	Quantity	Description
1*	2526BLT	8	5/16" X 1-1/2" BOLT
2	2540BLT.par	4	3/8" X 1 1/4" BOLT
3	2570BLT.par	2	1/2" X 4" BOLT
4*	2590BLT.par	1	5/8" X 8" BOLT
5*	2719NUT.par	4	5/16" NYLON LOCK NUT
6	2725NUT.par	4	3/8" STANDARD NUT
7	2727NUT.par	4	3/8" LOCKNUT
8*	2732NUT.par	2	1/2" STANDARD NUT
9*	2734NUT.par	2	1/2" LOCKNUT
10	2742NUT.par	1	5/8" LOCKNUT
11	27490NUT.par	4	3/4" COIL ROD NUT
12	2821WAS.par	4	3/8" LOCK WASHER
13	2832WAS.par	2	1/2" WASHER
14	2841WAS.par	8	5/16" WASHER
15	2852WAS.par	2	3/4" LOCK WASHER
16*	7009TAB.par	8	STAINLESS STEEL SHIM (AS NEEDED)
17*	7010TAB.par	2	16 GA. TWO HOLE SHIM
18*	7011TAB.par	8	12 GA. SHIM (AS NEEDED)
19*	7012TAB.par	8	18 GA. SHIM (AS NEEDED)
20*	7013TAB.par	8	22 GA. SHIM (AS NEEDED)
21	Cra02030.Par	2	18" STOP ROD
22	CRA0214.par	1	UPPER DRILL BRACKET
23*	CRA0216.par	1	LOWER DRILL BRACKET
24	CRA0230.par	8	BEARING KEEPER
25*	CRA0233.par	4	ROLLER BEARING DRUM
26	CRA0234.par	4	ROLLER BEARING AXLE
27	CRG01041.par	1	CARRIAGE

FNG8112-50

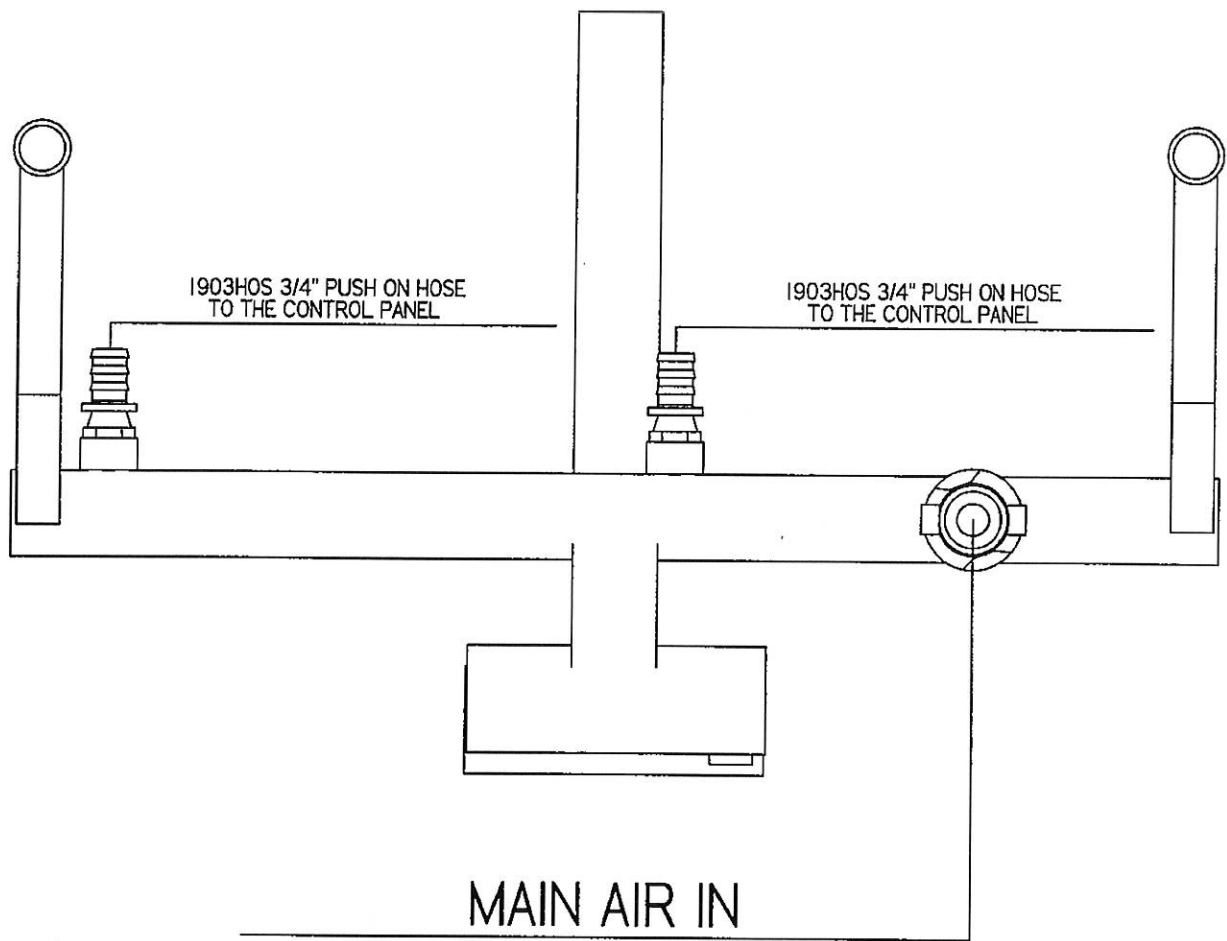
BRAKE CYLINDER ASSEMBLY



Item Number	File Name	Quantity	Description
1	05000CYL.asm	1	CYLINDER CLEVIS
2	05043CYL.par	1	BRAKE CYLINDER
3	2075IFIT.par	2	1/8" X 1/8" 90 DEG. SWIVEL

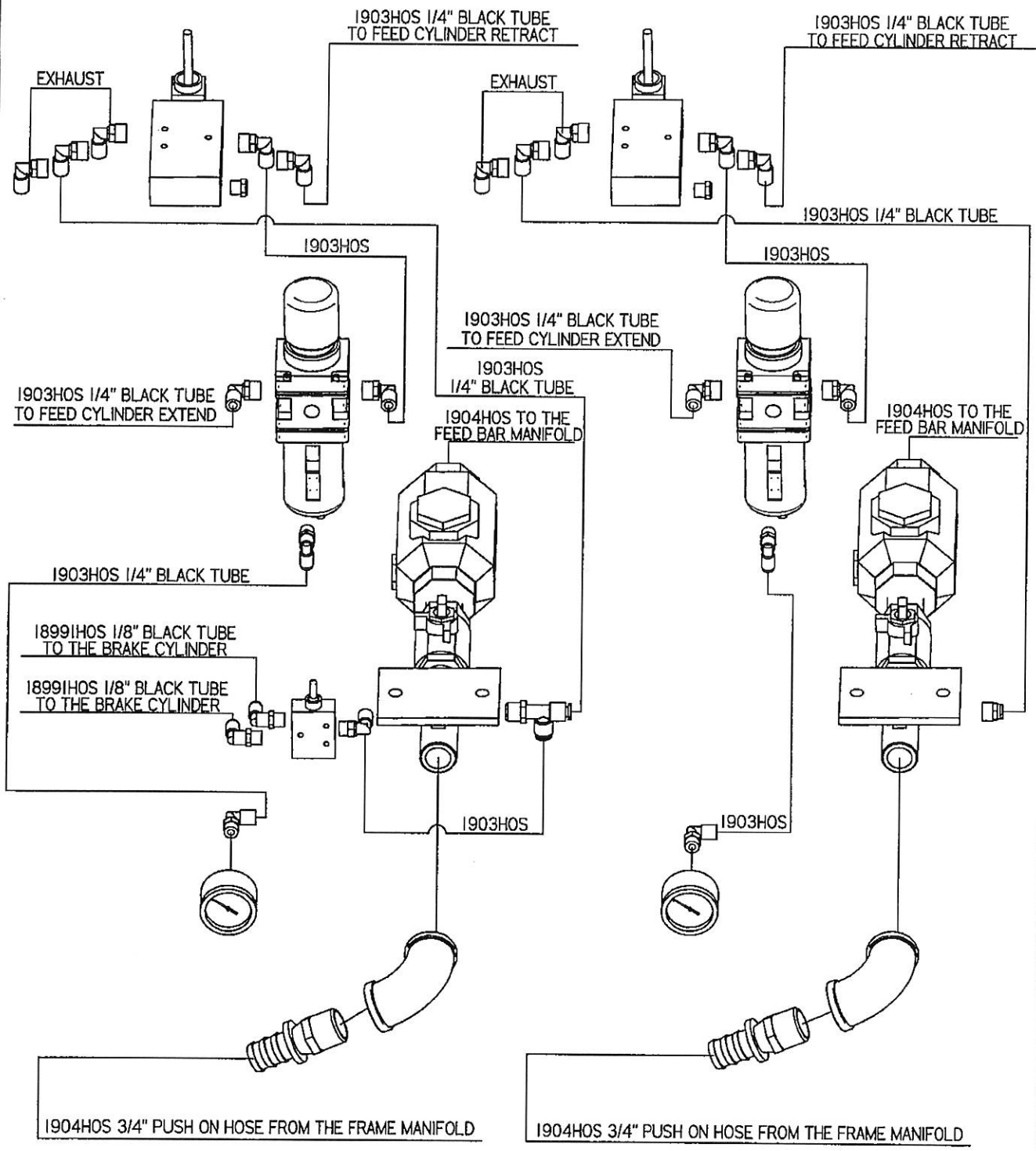
FNG8112-60

FRAME MANIFOLD SCHEMATIC



FNG8112-70

CONTROL PANEL SCHEMATIC



FNG8112-80

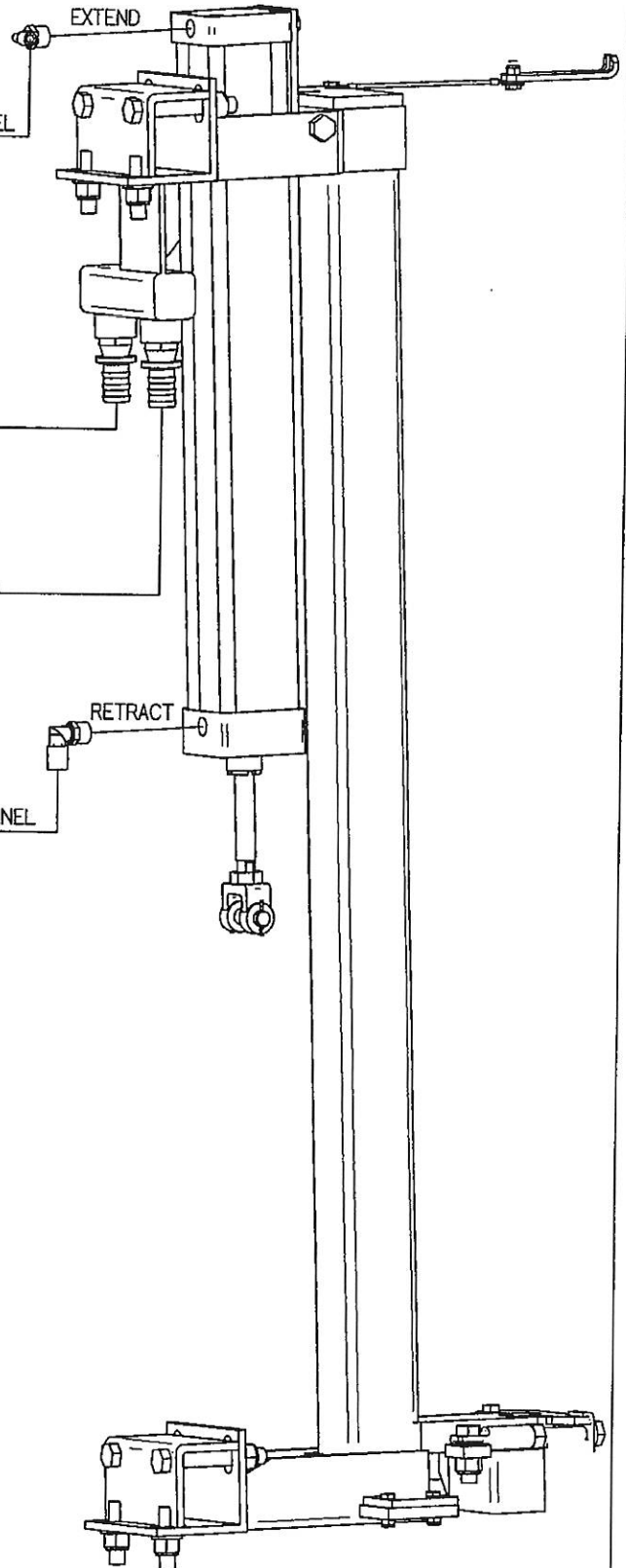
FEED BAR SCHEMATIC

1903HOS 1/4" BLACK TUBE FROM THE 0809REG ON THE CONTROL PANEL

HOS1501 HOSE ASSEMBLY TO THE DRILL MOTOR

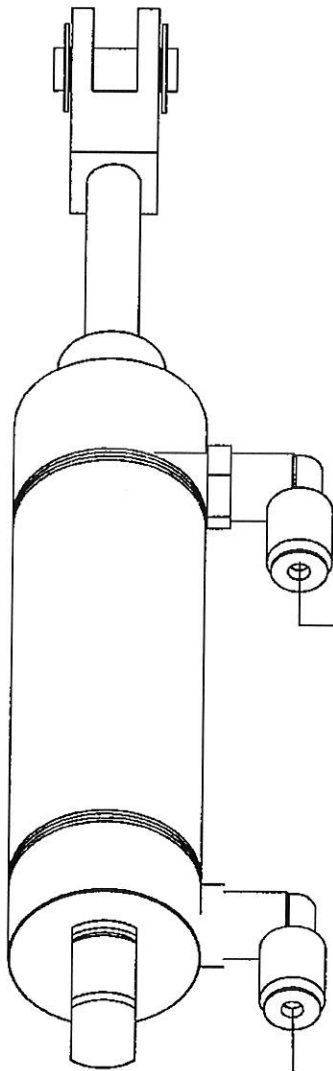
1904HOS 3/4" PUSH ON HOSE FROM THE CONTROL PANEL

1903HOS 1/4" BLACK TUBE FROM THE 060102VAL ON THE CONTROL PANEL



FNG8112-90

BRAKE CYLINDER SCHEMATIC



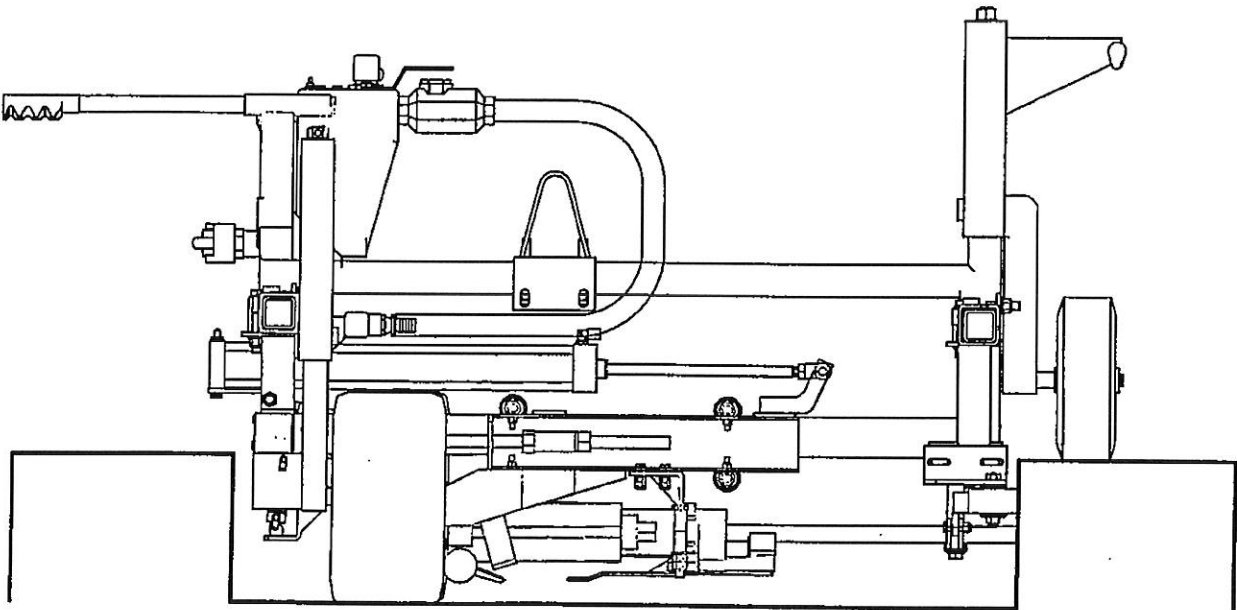
18991H0S 1/8" BLACK TUBE
FROM THE 06095VAL ON THE CONTROL PANEL

18991H0S 1/8" BLACK TUBE
FROM THE 06095VAL ON THE CONTROL PANEL

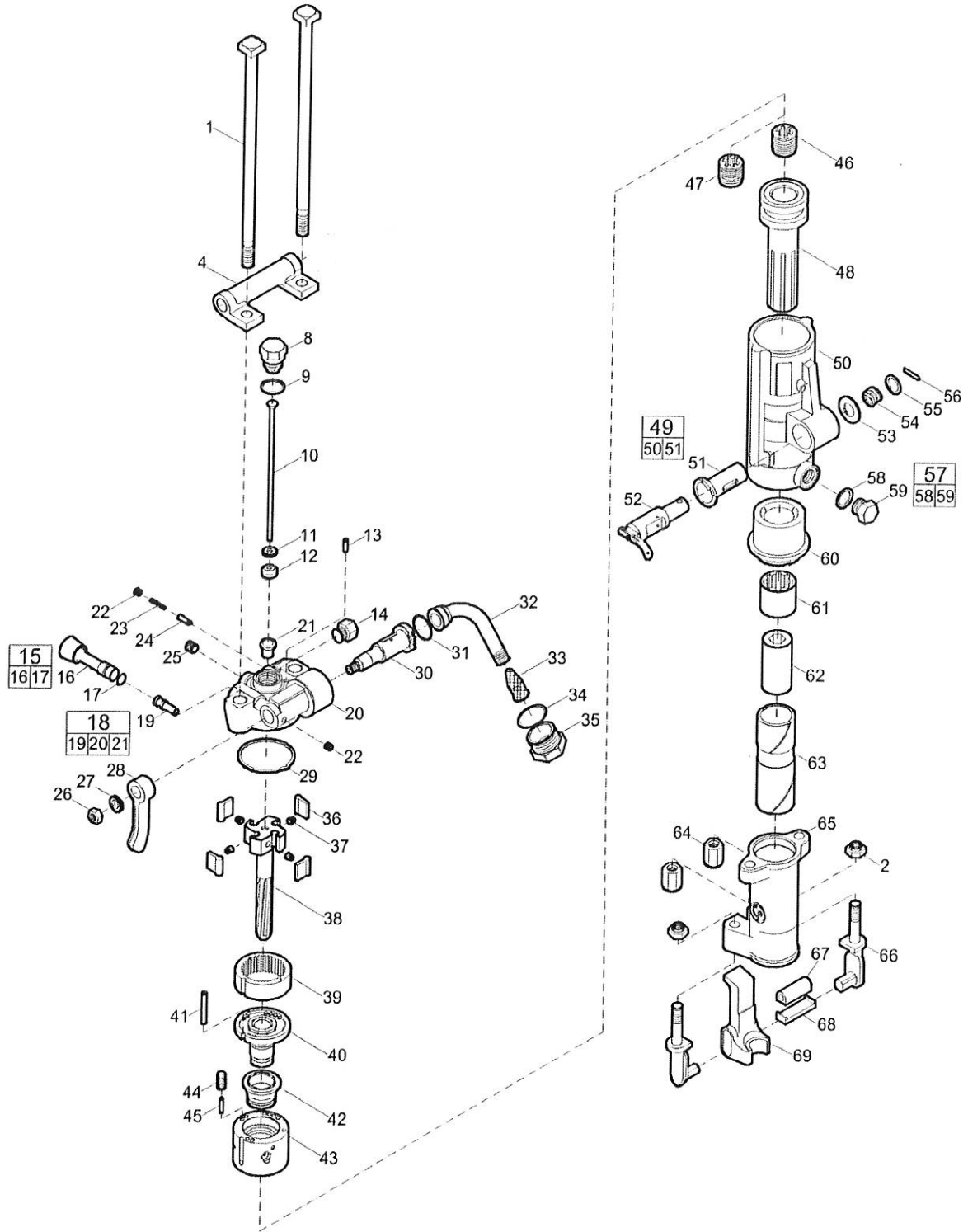
Directions to convert Model 210B-2 to fit into a 48" area

Note: Before converting, the unit is limited to the spacing of the drill feed systems due to the wheels being turned inward. Longer tool bars may be needed to complete conversion.

1. Slide out and remove rear legs with wheels.
2. Reinstall legs with wheels inward as shown in picture.



Spare parts list CP 0032 A 7/8" x 3 1/4"



Refer to the Parts Online web page for most up-to-date information. The printed information might be outdated.

Item	Part No.	Name	Qty	L
1	R086623	Bolt - Thru	2	
2	R005742	Nut - Elastic stop	Z	A
4	R086608	Bracket - Handle	1	
8	R076793	Plug - Air tube	1	
9	R000537	Gasket - Tube plug	2	
10	R077184	Tube - Air	1	
11	R075449	Washer - Air tube	1	
12	R075099	Rubber - Air tube	1	
13	R075802	Pin - Valve plunger	1	
14	R076372	Plug - Water valve	1	
15	R079130	Water valve port plug, complete	1	
16	-	Water valve port plug	1	
17	C079489	O-ring	1	
18	R087948	Backhead, complete	1	
19	R098054	Bushing - Water valve	1	
20	-	Backhead	1	
21	R137738	Bushing - Blow tube	1	
22	C068064	Plug - Pipe	2	
23	R085671	Spring - Valve plunger	1	
24	R086627	Plunger - Throttle valve	1	
25	C068799	Plug - pipe, Ø 1/4 in., Ø 6.5 mm	1	C
26	P002149	Nut - Hexagon	1	D
27	C036717	Lockwasher - Head latch	1	E
28	R079124	Handle - Throttle valve	1	
29	H0979432	Gasket	1	
30	R086628	Valve - Throttle	1	
31	P103521	O-ring	1	
32	R075265	Swivel - Air inlet	1	
33	R005584	Screen - Air inlet	1	
34	R110317	O-ring	1	
35	R000530	Air swivel nut	1	
36	R075267	Pawl	4	
37	R086654	Spring - Pawl	4	
38	R086622	Bar - Rifle	1	

Refer to the Parts Online web page for most up-to-date information. The printed information might be outdated.

Item	Part No.	Name	Qty	L
39	R076194	Ring - Ratchet	1	
40	R098085	Bushing - Valve guide	1	
41	R075772	Pin - Valve case dowel	1	
42	R076263	Valve	1	
43	R076264	Case - Valve	1	
44	R098084	Plug - Oil regulating	1	
45	R085625	Stem - Oil regulating	1	
46	R075839	Nut - Rifle bar	1	F
47	R075826	Nut - Rifle bar	1	G
48	R000088	Piston	1	
49	R087990	Cylinder, complete	1	
50	--	Cylinder	1	
51	R086611	Bushing - Blower valve	1	
52	R086612	Valve - Blower	1	
53	R075777	Washer - Blower valve	1	
54	R075778	Spring - Blower valve	1	
55	R075780	Washer - Valve spring	1	
56	R076266	Pin - Spring	1	
57	R085611	Oil plug, complete	1	
58	R091176	Gasket - Oil plug	1	
59	--	Oil plug	1	
60	R042161	Bushing - Cylinder	1	
61	R086733	Nut - Chuck rotation	1	
62	R099374	Chuck, 7/8" x 31/4" (22 x 82.5 mm)	1	
63	R041321	Sleeve - Chuck, 7/8" x 31/4" (22 x 82.5 mm)	1	
64	R085756	Nut - Thru bolt	2	
65	R041320	Fronthead, 7/8" x 31/4" (22 x 82.5 mm)	1	
66	R093896	Tunnion - Retainer	2	
67	R093897	Buffer - Retainer	1	
68	R093898	Retainer - Latch shoe	1	
69	R093913	Retainer, 7/8" (22 mm)	1	

Comments for Page: CP 0032 A 7/8" x 3/4"

(L)OCAL REMARKS

A | 5/8" - 11

B | 1/8"

C | 1/4"

Refer to the Parts Online web page for most up-to-date information. The printed information might be outdated.