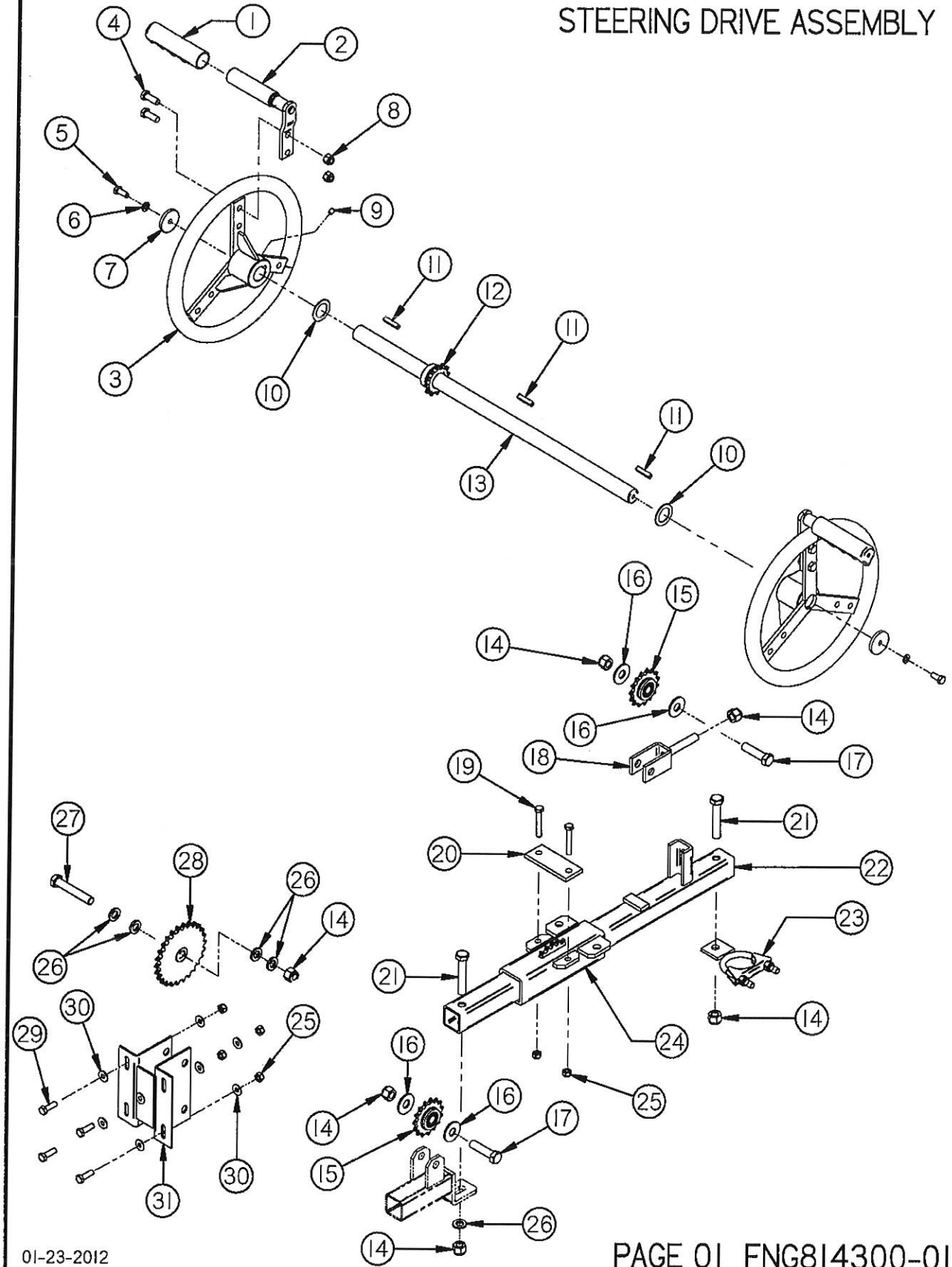


STEERING DRIVE ASSEMBLY



01-23-2012

PAGE 01 FNG814300-01

STEERING DRIVE ASSEMBLY

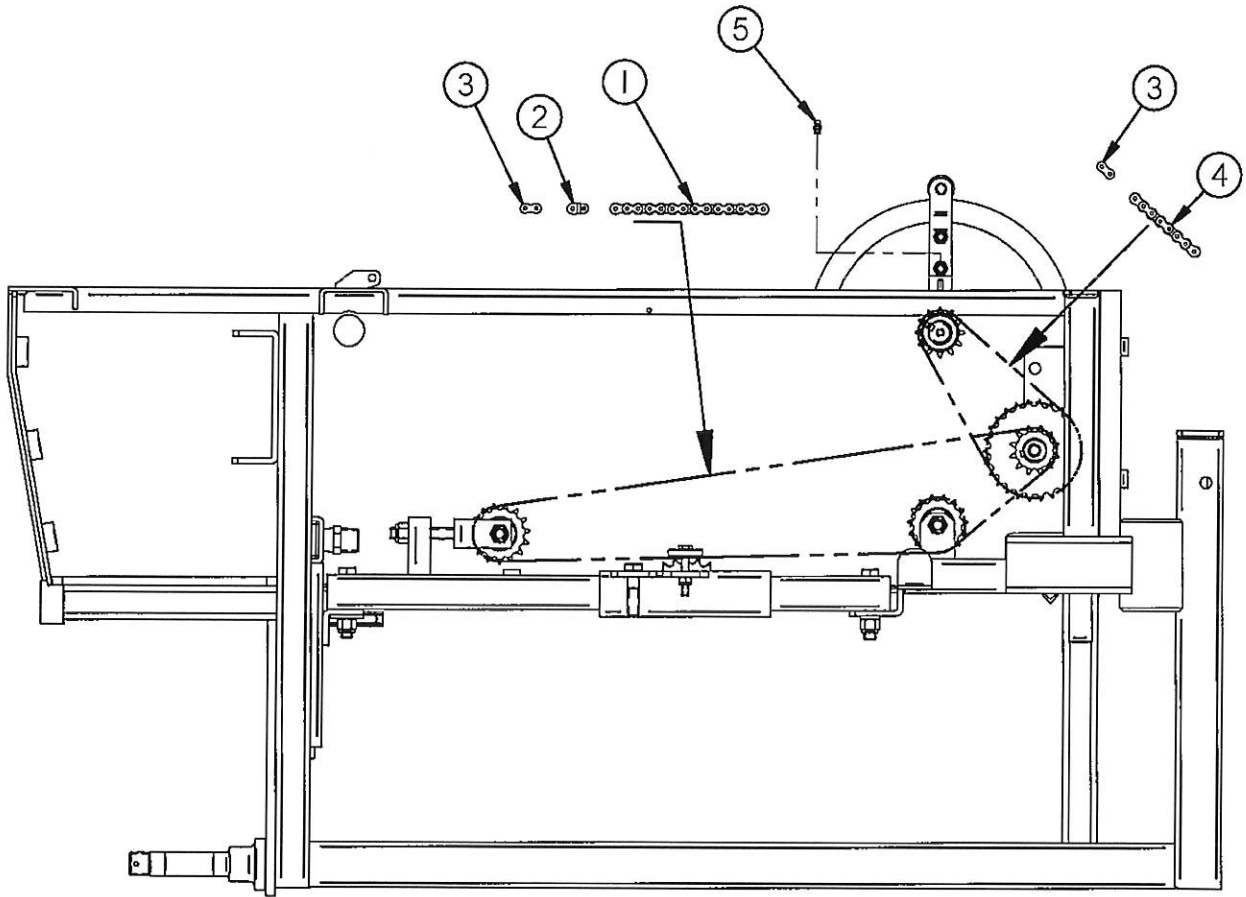
Item No.	Part No.	Quantity	Description
1	1820GRO	2	HANDLE GRIP
2	SRSI651	2	STEERING WHEEL SPINNER
3	SRSI602	2	STEERING WHEEL
4	2538 BLT	4	3/8" NC X 1.00" HX HD BOLT
5	2519 BLT	2	5/16" NC X .75" HX HD BOLT
6	2810 WAS	2	5/16" LOCK WASHER
7	SRSI608	2	STEERING WASHER CAP
8	2727NUT	4	3/8" NC NYLON INSERT LOCKNUT
9	25009 BLT	2	1/4 UNC X 3/8" LG. SOCKET SET SCREW
10	2860 WAS	2	MACHINERY BUSHING (1.00 X 1.50 X 14 GA)
11	SRUI3071	3	KEY, 1/4" SQ. X 1-1/4" LG.
12	15218GBX	1	12 T NO. 40 SPROCKET WITH HUB *
13	SRUI3070	1	STEERING WHEEL SHAFT
14	2734NUT	6	1/2" NC NYLON INSERT LOCKNUT
15	15151 GBX	2	15T IDLER SPROCKET
16	2830 WAS	4	1/2" STD. FLAT WASHER
17	2563 BLT	2	1/2" NC X 2.00" HX HD BOLT
18	MFA06715	1	SPROCKET CLEVIS
19	2530 BLT	2	5/16" NC X 2.00" HX HD BOLT
20	SRSI6160	1	STEERING CHAIN TIE DOWN
21	2566 BLT	2	1/2" NC X 2.75" HX HD BOLT
22	SRUI3041	1	STEERING SLIDE BAR
23	SRSI6265	1	OIL FILTER BRACKET
24	SRUI3040	1	STEERING SLIDE
25	2719 NUT	6	5/16" NC NYLON INSERT LOCKNUT
26	2831WAS	5	7/8"OD X 1/2"ID WASHER 10GA.
27	2567 BLT	1	1/2" NC X 3.00" HX HD BOLT
28	SRUI330	1	TRANSMISSION SPROCKET (26T X 12T)
29	2520 BLT	4	5/16" NC X 1.00" HX HD BOLT
30	2801 WAS	8	1/4" FLAT WASHER
31	SRUI313	1	CHAIN TIGHTENER

* ITEM REF. NO. 12:
INCLUDES 2X SKT. HD SET SCREWS 1/4-20 NC X 1/4" LG.

01-23-2012

PAGE 01 FNG814300-01

STEERING DRIVE ASSEMBLY (CHAINS)

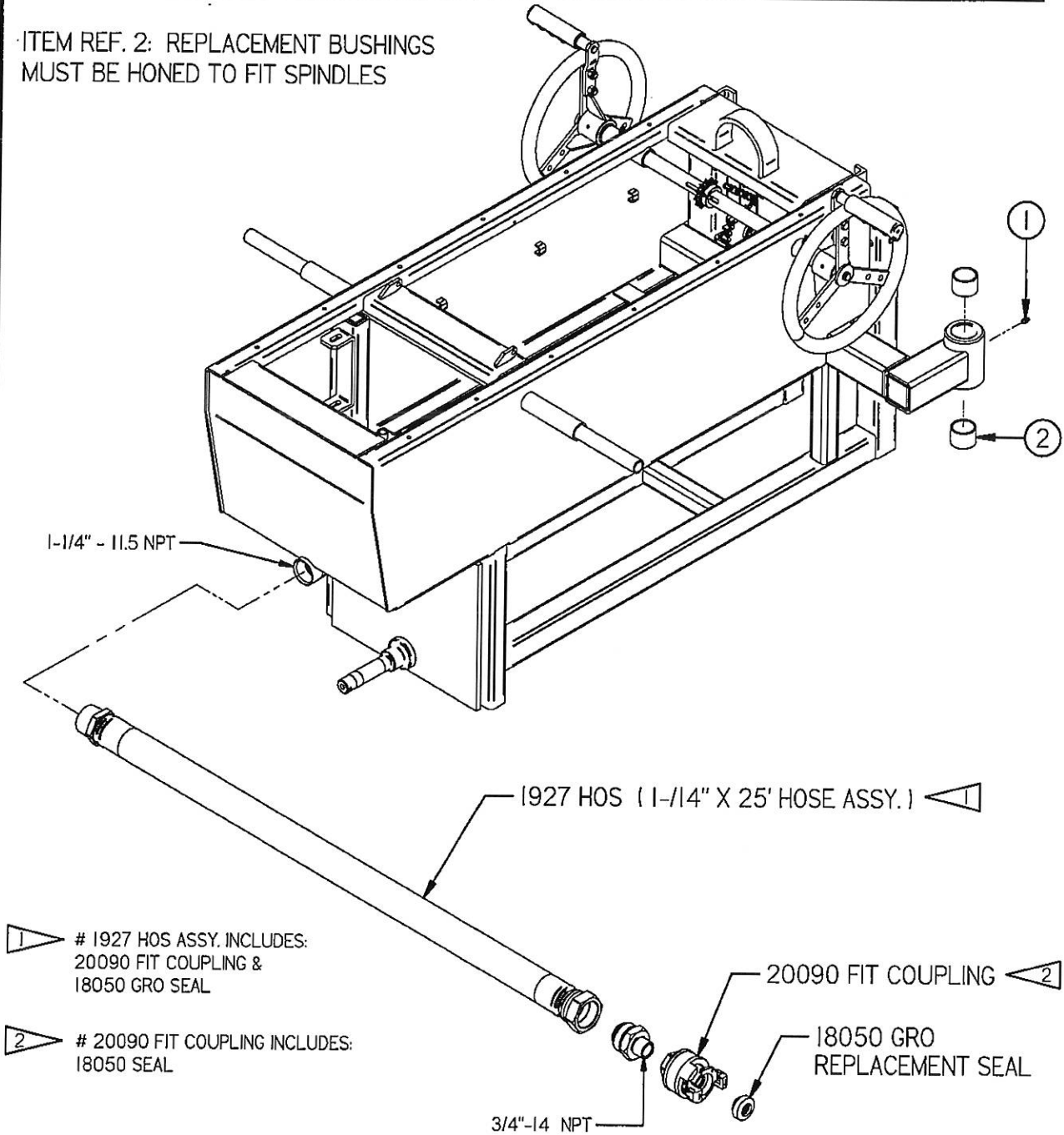


Item No.	Part No.	Quantity	Description
1	1534 GBX_53	1	#40 ROLLER CHAIN X 53 LINKS (53-1/2" LG.)
2	1532 GBX	1	OFFSET LINK, #40
3	1533 GBX	2	CONNECTING LINK # 40 CHAIN
4	1534 GBX_21	1	#40 ROLLER CHAIN X 21 LINKS (21-1/2" LG.)
5	9501 MIS	2	1/4-28 NF ST. GREASE ZERK

STEERING SPINDLE BUSHINGS

Item No.	Part No.	Quantity	Description
1	9501 MIS	2	1/4"-28 NF ST. GREASE ZERK
2	04066 BRG	4	BRONZE BUSHING, 1.5 ID X 1.75 OD X 1.25" LG.

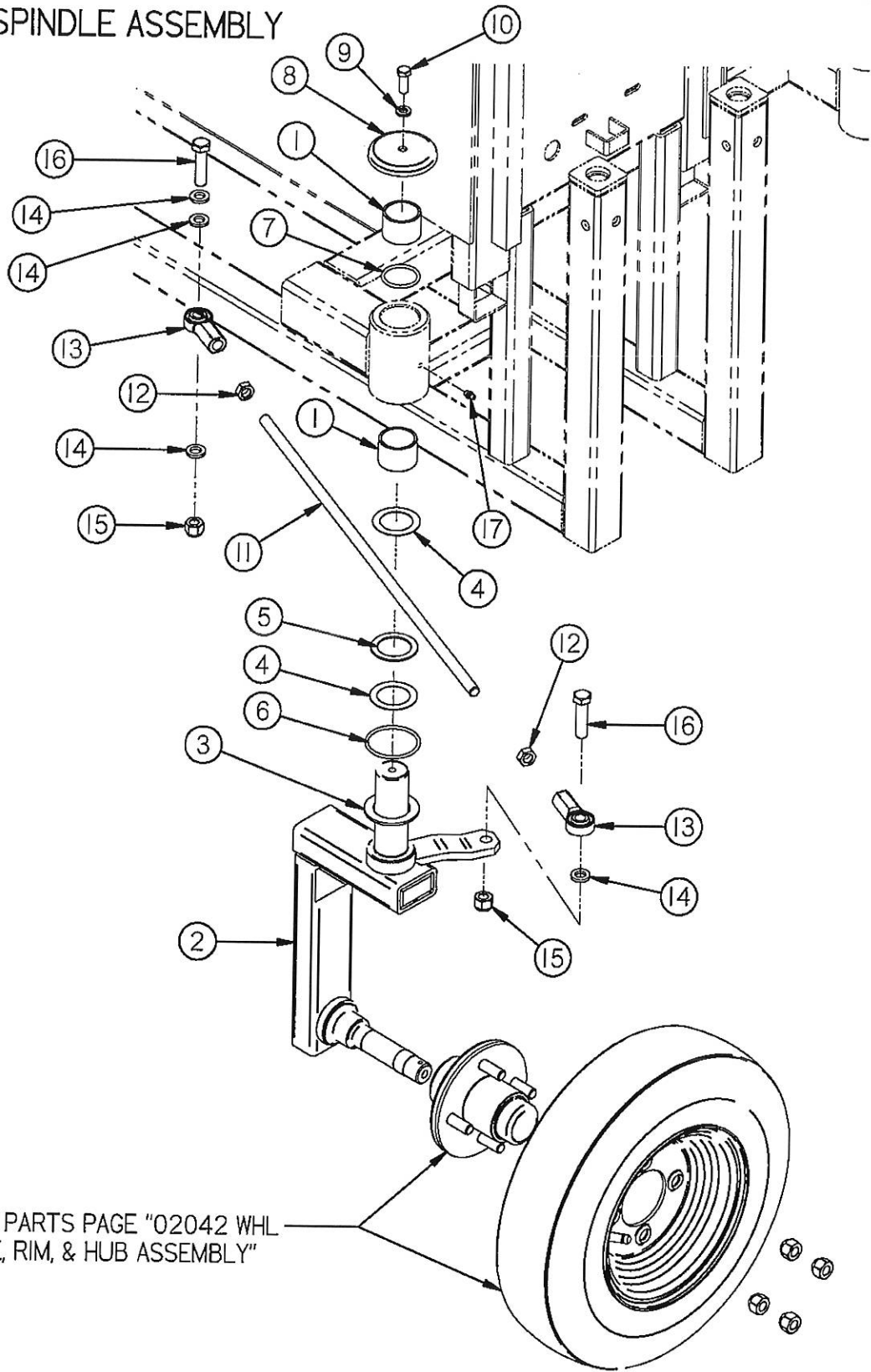
ITEM REF. 2: REPLACEMENT BUSHINGS
MUST BE HONED TO FIT SPINDLES



01-26-2012

PAGE 03 FNGI4300-01

RIGHT SPINDLE ASSEMBLY



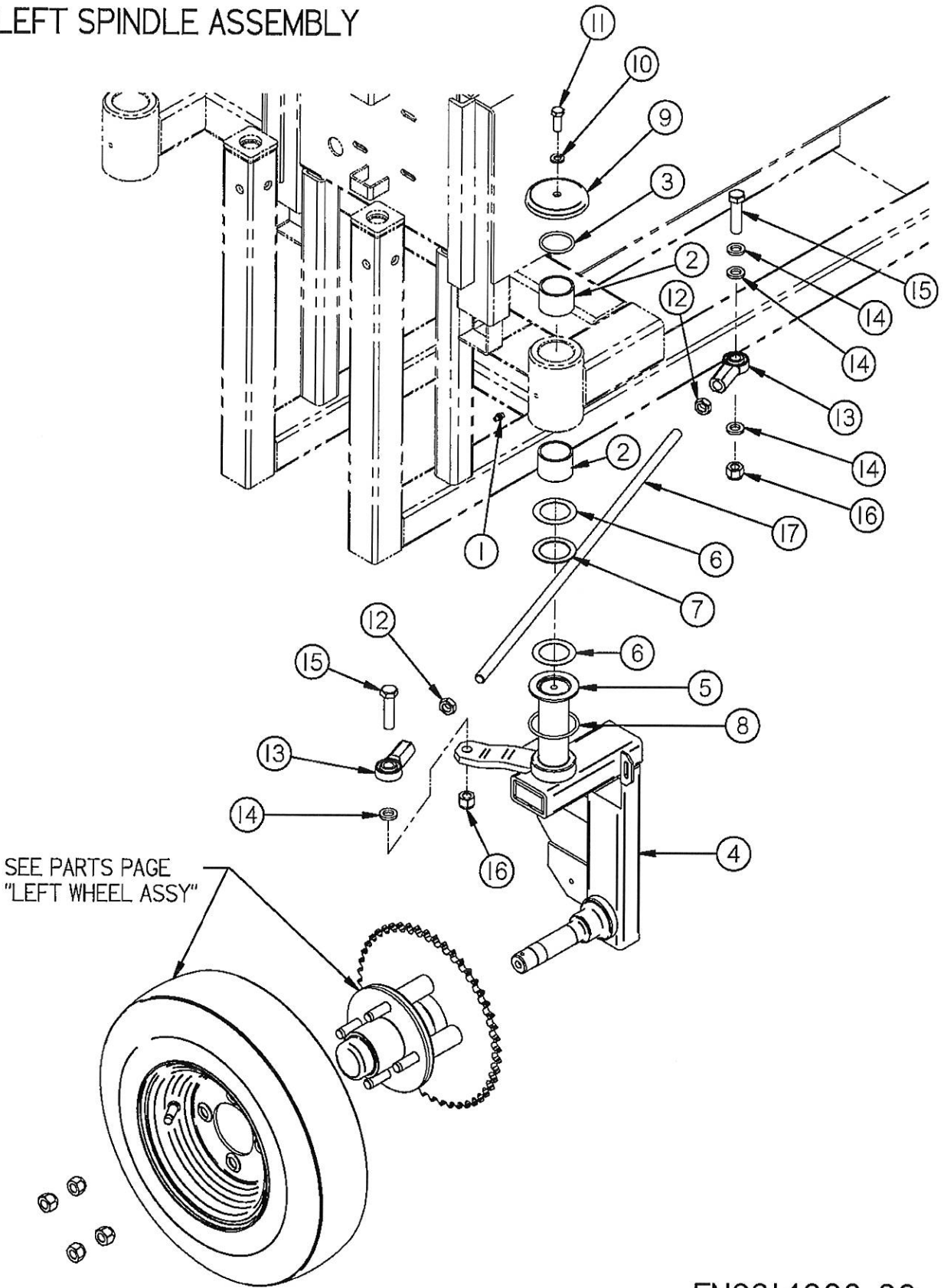
SEE PARTS PAGE "02042 WHL
TIRE, RIM, & HUB ASSEMBLY"

RIGHT SPINDLE ASSEMBLY

Item No.	Part No.	Quantity	Description
1	04066 BRG	2	BRONZE BUSHING, 1.5 ID X 1.75 OD X 1.25" LG.
2	SRS16134	1	RT. SPINDLE ASSEMBLY (210B-2SRA)
3	2867 WAS	1	2 1/2" OD X 1 5/8" ID WASHER
4	040500 BRG	2	1.50" THRUST BEARING WASHER
5	040501 BRG	1	1.50" NEEDLE THRUST BEARING
6	18304 GRO	1	O-RING (2-1/4 ID X 2-1/2 OD X 1/8" NOMINAL)
7	18302 GRO	1	O-RING 2-222 (1.50" ID X 1/8")
8	SRS1628	1	SPINDLE CAP (2-7/8" I.D.)
9	2821 WAS	1	3/8" LOCK WASHER
10	2538 BLT	1	3/8" NC X 1.00" HX HD BOLT
11	SRS16171	1	TIE ROD (210B-2SRA)
12	27696 NUT	2	1/2" NF HEX JAM NUT (RT. HND.)
13	04015 BRG	2	1/2" (RT. HND.) SPHERICAL ROD END BRG.
14	2831WAS	4	7/8"OD X 1/2"ID WASHER 10GA.
15	2734NUT	2	1/2" NC NYLON INSERT LOCKNUT
16	2563 BLT	2	1/2" NC X 2.00" HX HD BOLT
17	9501 MIS	1	1/4-28 NF ST. GREASE ZERK

ITEM REF. NO. 1 (SPINDLE BUSHING)
P/N 04066 BRG MUST BE HONED TO
FIT SPINDLE SHAFT

LEFT SPINDLE ASSEMBLY



12-07-11

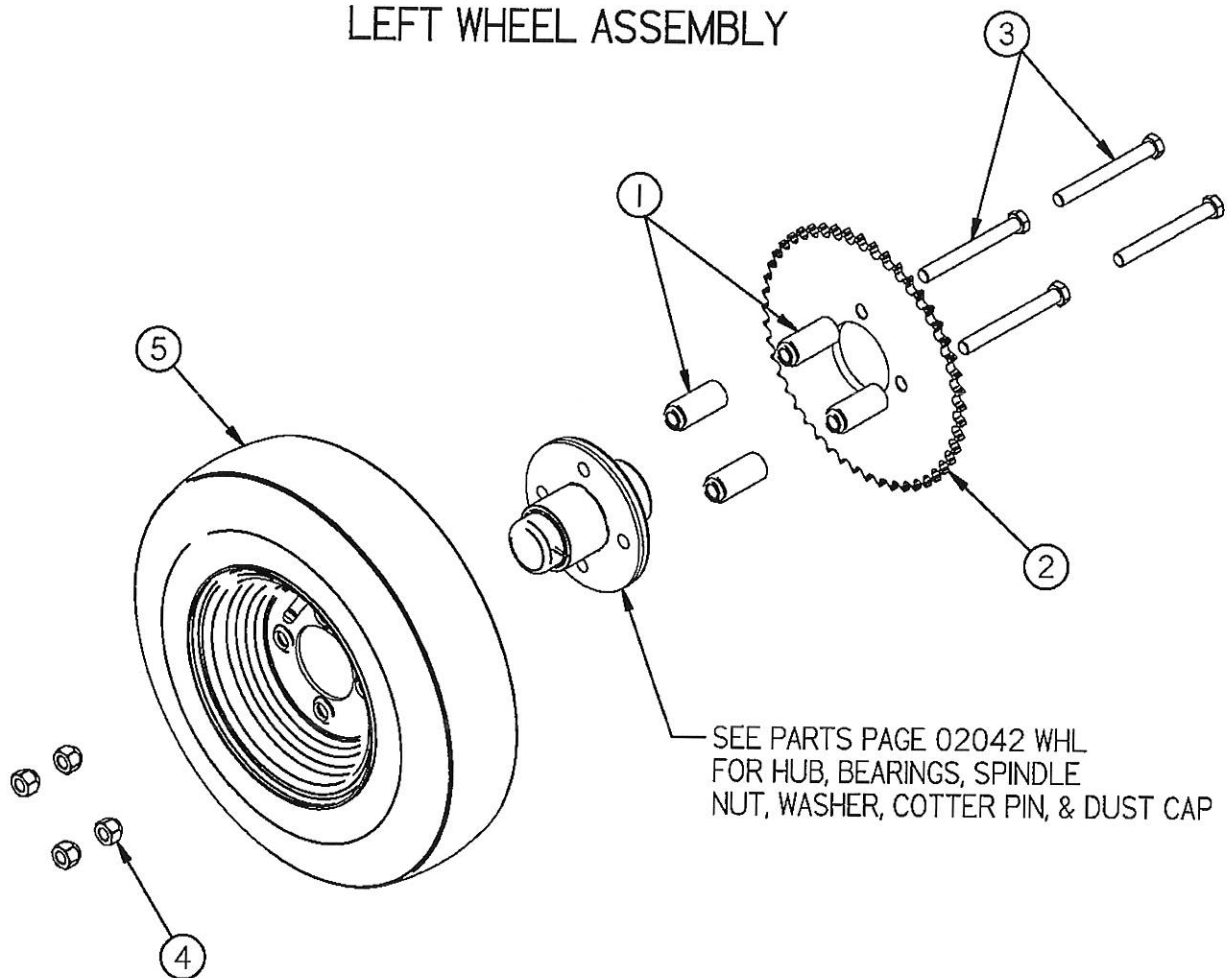
FNG814300-03

LEFT SPINDLE ASSEMBLY

Item No.	Part No.	Quantity	Description
1	9501 MIS	1	1/4-28 NF ST. GREASE ZERK
2	04066 BRG	2	BRONZE BUSHING, 1.5 ID X 1.75 OD X 1.25" LG.
3	18302 GRO	1	O-RING 2-222 (1.50" ID X 1/8")
4	SRSI6133	1	LFT. SPINDLE ASSEMBLY (210B-2SRA)
5	2867 WAS	1	2 1/2" OD X 1 5/8" ID WASHER
6	040500 BRG	2	1.50" THRUST BEARING WASHER
7	040501 BRG	1	1.50" NEEDLE THRUST BEARING
8	18304 GRO	1	O-RING (2-1/4 ID X 2-1/2 OD X 1/8" NOMINAL)
9	SRSI628	1	SPINDLE CAP (2-7/8" I.D.)
10	2821 WAS	1	3/8" LOCK WASHER
11	2538 BLT	1	3/8" NC X 1.00" HX HD BOLT
12	27696 NUT	2	1/2" NF HEX JAM NUT (RT. HND.)
13	04015 BRG	2	1/2" (RT. HND.) SPHERICAL ROD END BRG.
14	2831WAS	4	7/8"OD X 1/2"ID WASHER 10GA.
15	2563 BLT	2	1/2" NC X 2.00" HX HD BOLT
16	2734NUT	2	1/2" NC NYLON INSERT LOCKNUT
17	SRSI6171	1	TIE ROD (210B-2SRA)

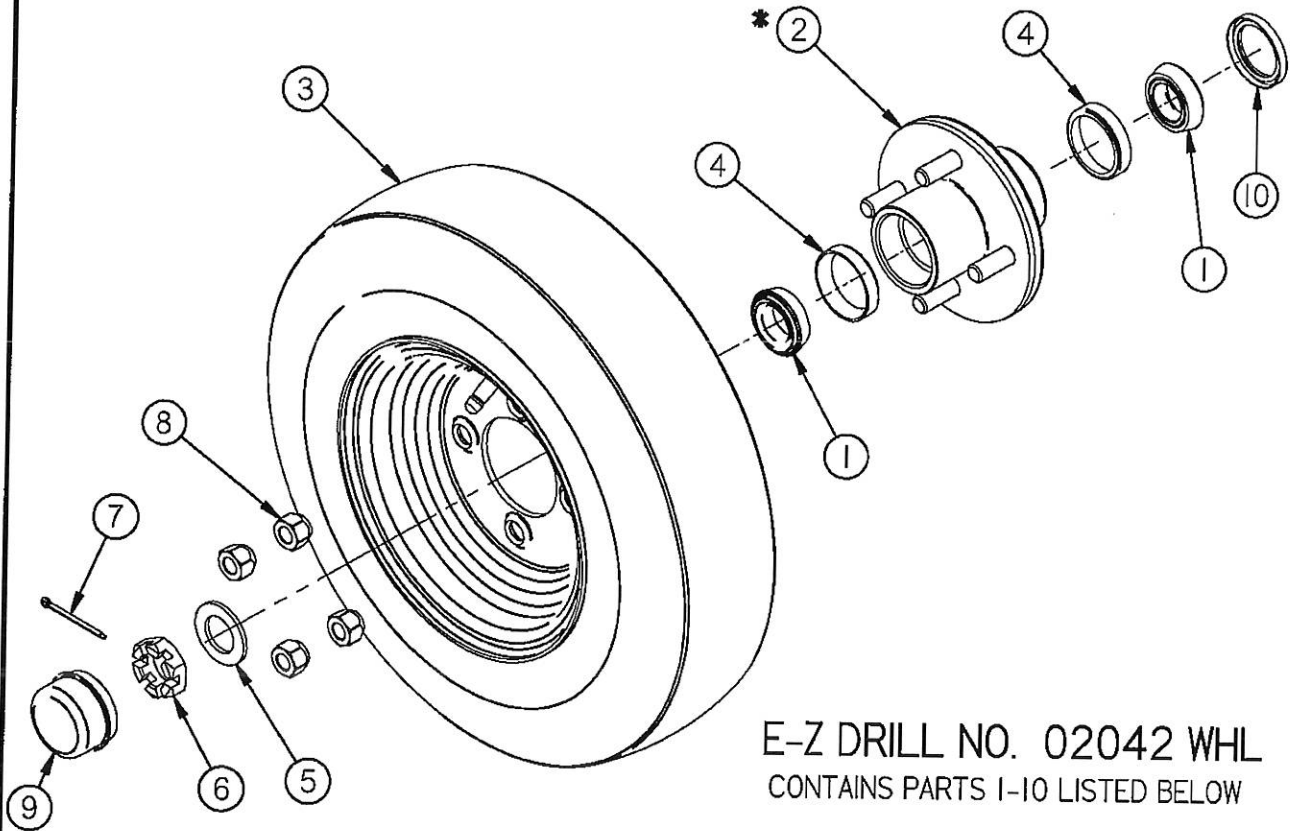
ITEM REF. NO. 2 (SPINDLE BUSHING)
P/N 04066 BRG MUST BE HONED TO
FIT SPINDLE SHAFT

LEFT WHEEL ASSEMBLY



Item No.	Part No.	Quantity	Description
1	SFP0714	4	WHEEL SPACER
2	SRSI6501	1	4-HOLE DRIVE SPROCKET
3	2574 BLT	4	1/2" UNF X 4.50" HX HD BOLT
4	2733 NUT	4	1/2 NF LUG NUT (RT. HAND THD.)
5	02044 WHL	1	TIRE & RIM (4.80-8 LR. B 4-HOLE)

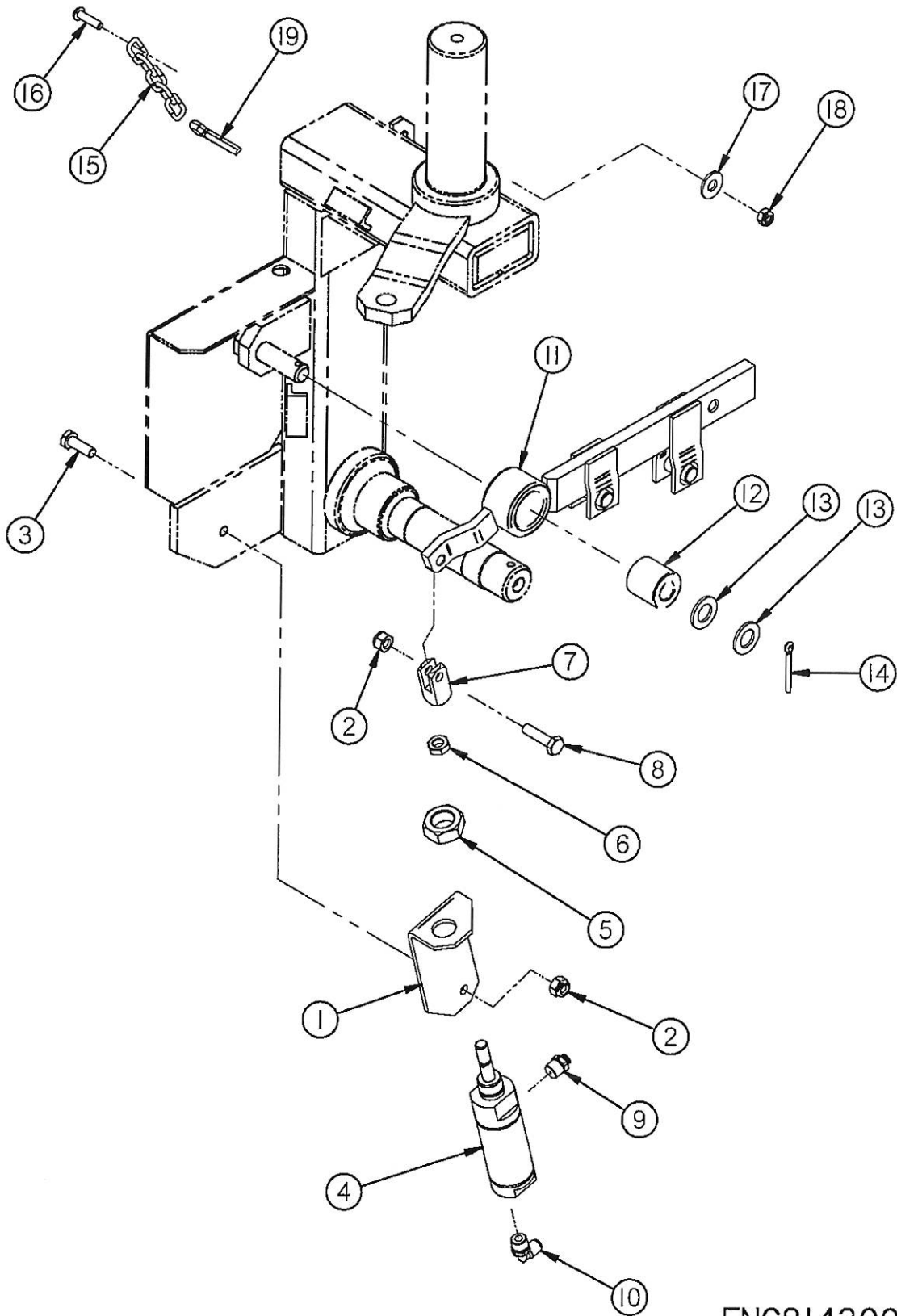
02042 WHL TIRE, RIM, & HUB ASSEMBLY (4.80 - 8)



Item No.	Part No.	Quantity	Description
1	021160WHL	2	BEARING CONE, L44649
2	N / A	1	4-BOLT HUB, BRG. CUPS, & STUDS *
3	02044 WHL	1	TIRE & RIM (4.80-8 LR. B 4-HOLE)
4	04043BRG	2	BEARING CUP, L44610
5	021162WHL	1	SPINDLE WASHER
6	021163WHL	1	SPINDLE NUT (1"-14UNS)
7	30220 PIN	1	1/8" X 2" COTTER PIN
8	2733 NUT	1	1/2 NF LUG NUT (RT. HAND THD.)
9	0252WHL	1	SPINDLE CAP
10	021161 WHL	1	BEARING SEAL (1.50 X .187")

* ITEM REF. NO. 2 (HUB) NOT AVAILABLE SEPARATELY; ORDER PART NO. 02042 WHL

PARKING BRAKE ASSEMBLY



12-06-11

FNG814300-05

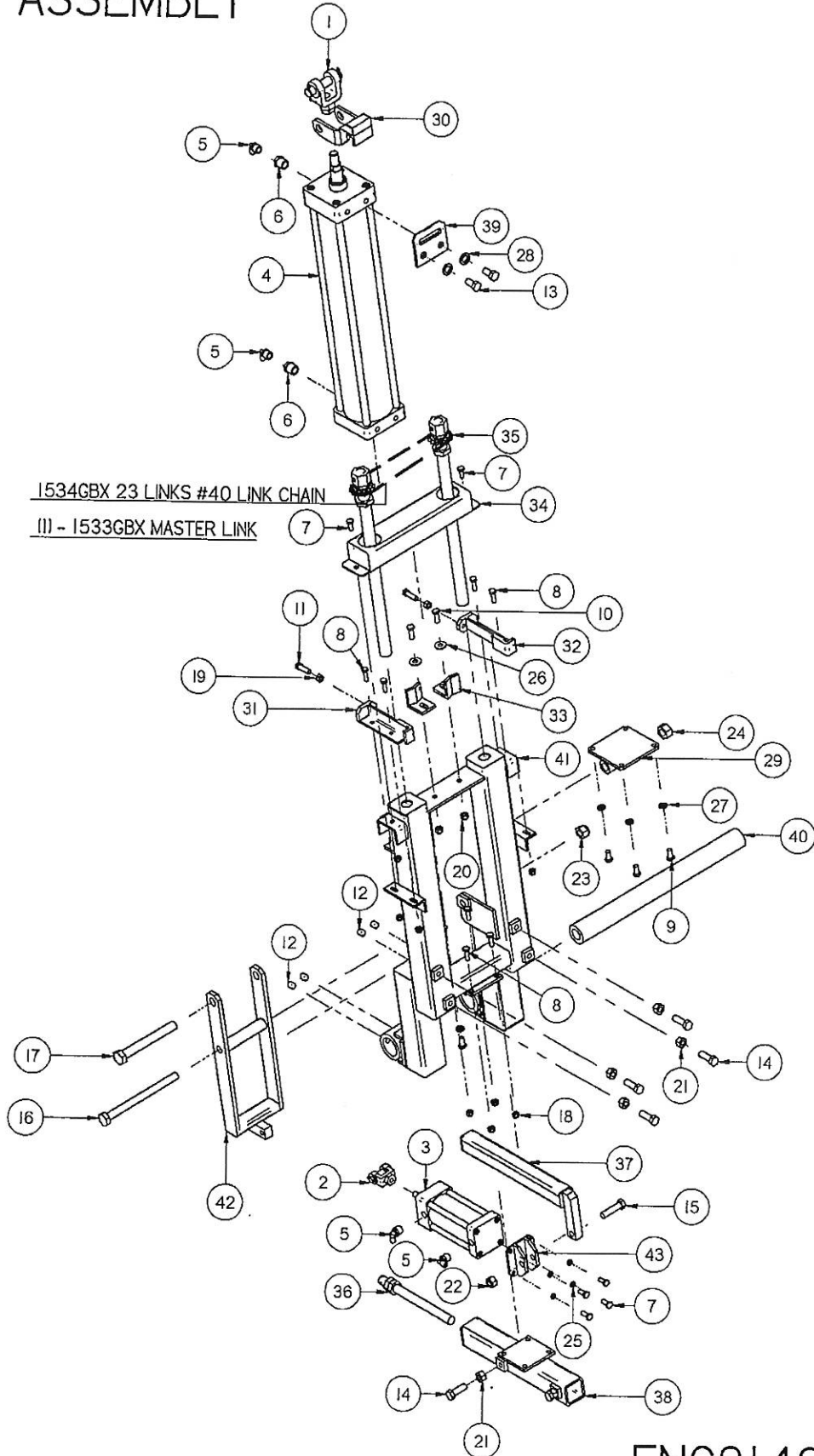
PARKING BRAKE ASSEMBLY

Item No.	Part No.	Quantity	Description
1	SRS1677	1	BRAKE CYL. MOUNT
2	2716NUT	2	1/4" NC NYLON LOCK NUT
3	2501BLT	1	1/4" NC X .75" HX HD BOLT
4	05040CYL	1	BRAKE CYLINDER (SPRING EXTEND)
5	27698NUT	1	5/8" - 18 NF HEX JAM NUT
6	27691NUT	1	5/16" -24 NF JAM NUT
7	05000CYL	1	CLEVIS, 5/16-18 NF
8	2503BLT	1	1/4" NC X 1.00" BOLT, GR. 5
9	20750FIT	1	1/8" TUBE X 1/8" NPT MALE FITTING
10	20751 FIT	1	1/8" TUBE X 1/8" NPT 90 DEG. SWIVEL
11	SRS16132	1	BRAKE ASSEMBLY
12	0406BRG	1	BRONZE BEARING (1.0 X .50 X 1.0" LG.)
13	28310 WAS	2	7/8" OD X 1/2" ID WASHER 14GA.
14	30221 PIN	1	1/8" X 1-1/4" COTTER PIN
15	9504 MIS	1	#4 STRAIGHT LINK CHAIN (USE 5 LINKS)
16	2403 BLT	1	#10-24 X 3/4" RND HD. MACH SCREW
17	2801 WAS	1	1/4" FLAT WASHER
18	2713 NUT	1	#10-24 NYLON LOCK NUT
19	3024 PIN	1	LOCK PIN, 1/4 X 1.0" LG

ITEM REF. NO. 4 INCLUDES NUTS NUMBERS 5 & 6

ITEM REF. NO. 11 INCLUDES BEARING NUMBER 12

MAST ASSEMBLY



FNG814300-06

MAST ASSEMBLY

Item Number	File Name	Quantity	Description
1	0500cyl.asm	1	CLEVIS FOR 1" ROD
2	0501cyl.asm	1	CLEVIS WITH PIN FOR 5/8" ROD
3	050511cyl.asm	1	2 1/2" X 4" AUTO ALIGN CYLINDER
4	052080CYL.asm	1	4" X 20" CYLINDER
5	2052fit.par	4	1/4" TO 3/8" 90 DEG. FITTING
6	2130pft.par	2	1/2" TO 3/8" PIPE REDUCER
7	2519bolt.par	6	5/16" X 3/4" BOLT
8	2520bolt.par	8	5/16" X 1" BOLT
9	2537bolt.par	4	3/8" X 3/4" BOLT
10	2538bolt.par	2	3/8" X 1" BOLT
11	2540bolt.par	2	3/8" X 1 1/4" BOLT
12	25590bolt.par	4	1/2" X 1/2" 13 SET SCREW
13	2559bolt.par	2	1/2" X 1" BOLT
14	2562bolt.par	6	1/2" X 1 1/2" BOLT
15	2563bolt.par	1	1/2" X 2" BOLT
16	2590bolt.par	1	5/8" X 8" BOLT
17	259970bolt.par	1	3/4" X 6" BOLT
18	2719nut.par	10	5/16" NYLON LOCK NUT
19	2725nut.par	2	3/8" STANDARD NUT
20	2727nut.par	2	3/8" LOCKNUT
21	2732nut.par	6	1/2" STANDARD NUT
22	2734nut.par	1	1/2" LOCKNUT
23	2743nut.par	1	5/8" NYLON LOCK NUT
24	27489nut.par	1	3/4" SIDE LOCK NUT
25	2810was.par	4	5/16" LOCK WASHER
26	2820was.par	2	3/8" FLAT WASHER
27	2821was.par	4	3/8" LOCK WASHER
28	2832was.par	2	1/2" LOCK WASHER
29	srg11200.par	1	REAR RAISE AND LOWER CYLINDER MOUNT
30	srg1123.par	1	SAFETY LATCH
31	srs16180.par	1	MAST ADJUSTER LEFT
32	srs16181.par	1	MAST ADJUSTER RIGHT
33	srs16240.par	2	CHAIN TIGHTENER
34	srs16250.par	1	MAST CHAIN COVER
35	srs1630.asm	2	SCEW JACK
36	srs16310.asm	1	AUTO ALIGNMENT ADJUST
37	srs16380.par	1	AUTO ADJUST INSIDE SLIDE
38	srs16381.par	1	AUTO ADJUST OUTSIDE SLIDE
39	srs16472.par	1	CYLINDER SUPPORT BRACKET
40	srul3190.par	1	UPPER TOOL BAR
41	srul348.par	1	MAST
42	srul349.par	1	ANGLE ADJUSTING PIVOT
43	srul351.par	1	AUTO ALIGN CYLINDER MOUNT

FNG814300-06

MAST ASSEMBLY

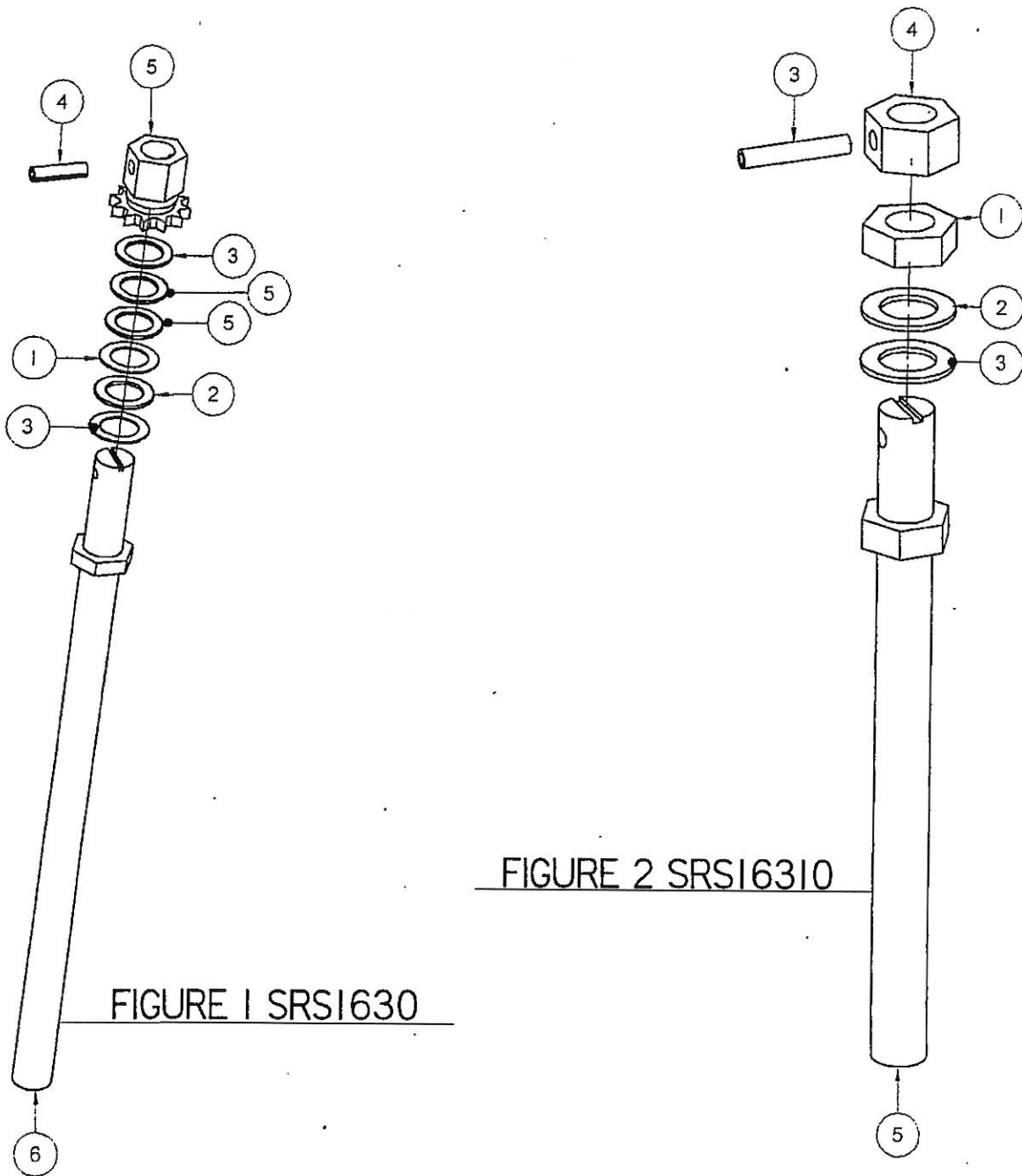


FIGURE 2 SRS16310

FIGURE 1 SRS1630

FNG814300-06

MAST ASSEMBLY

FIGURE 1 SRSI630

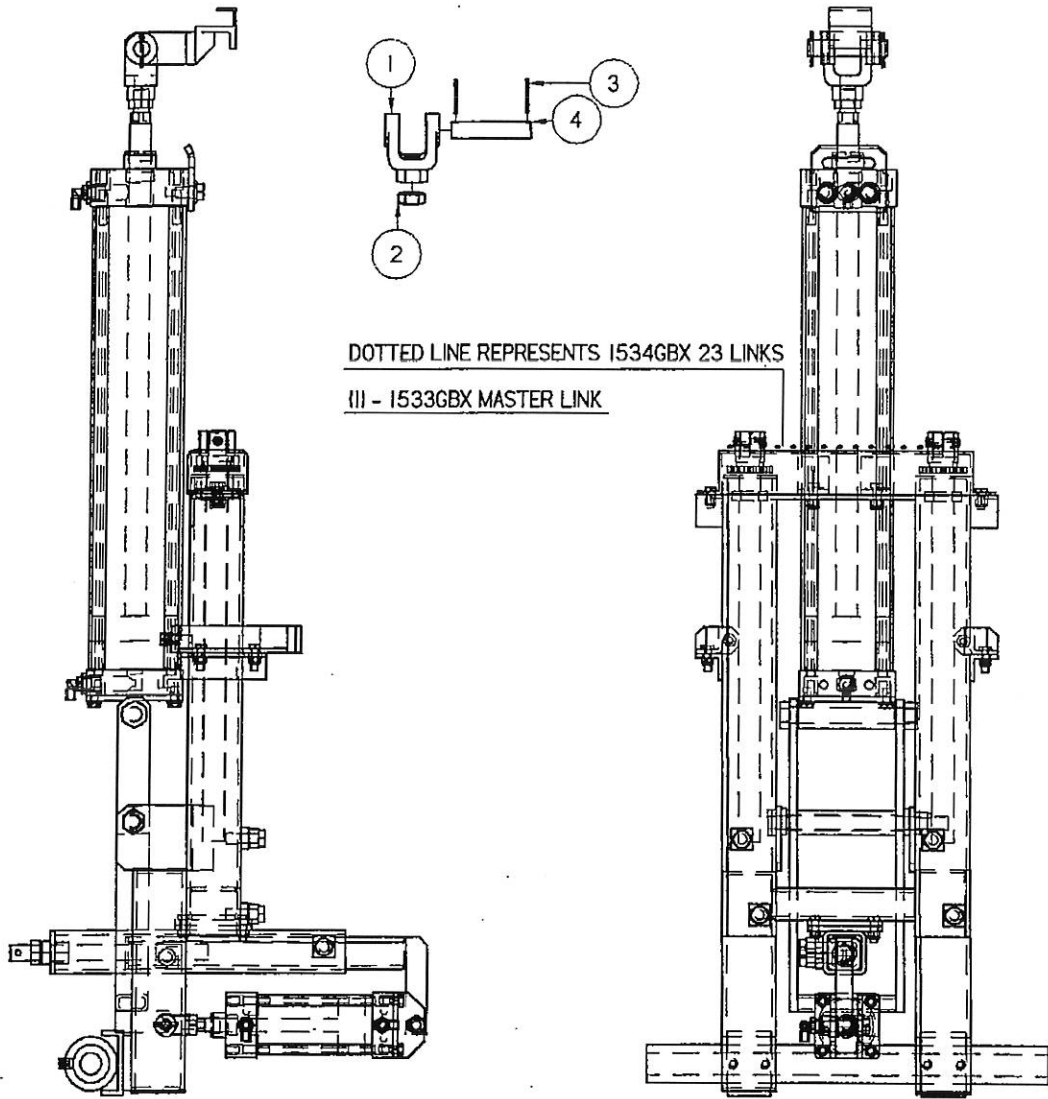
Item Number	File Name	Quantity	Description
1	04080BRG.par	2	THRUST BEARING WASHER
2	0408BRG.par	1	THRUST BEARING
3	2860WAS.par	3	1 1/2" OD X 1" ID 5GA. WASHER
4	3006PIN.par	1	3/8" X 1 1/2" ROLL PIN
5	SRSI630.par	1	SCREW JACK TOP
6	SRSI630.par	1	SCREW JACK

FIGURE 2 SRSI6310

Item Number	File Name	Quantity	Description
1	2756NUT.par	1	3/4" JAM NUT
2	28510WAS.par	2	3/4" THIN MACHINE WASHER
3	30102PIN.par	1	1/4" X 1 1/2" ROLL PIN
4	SRSI6310.par	1	3/4" STANDARD NUT
5	SRSI6310.par	1	AUTO AILGNMENT ADJUST

FNG814300-06

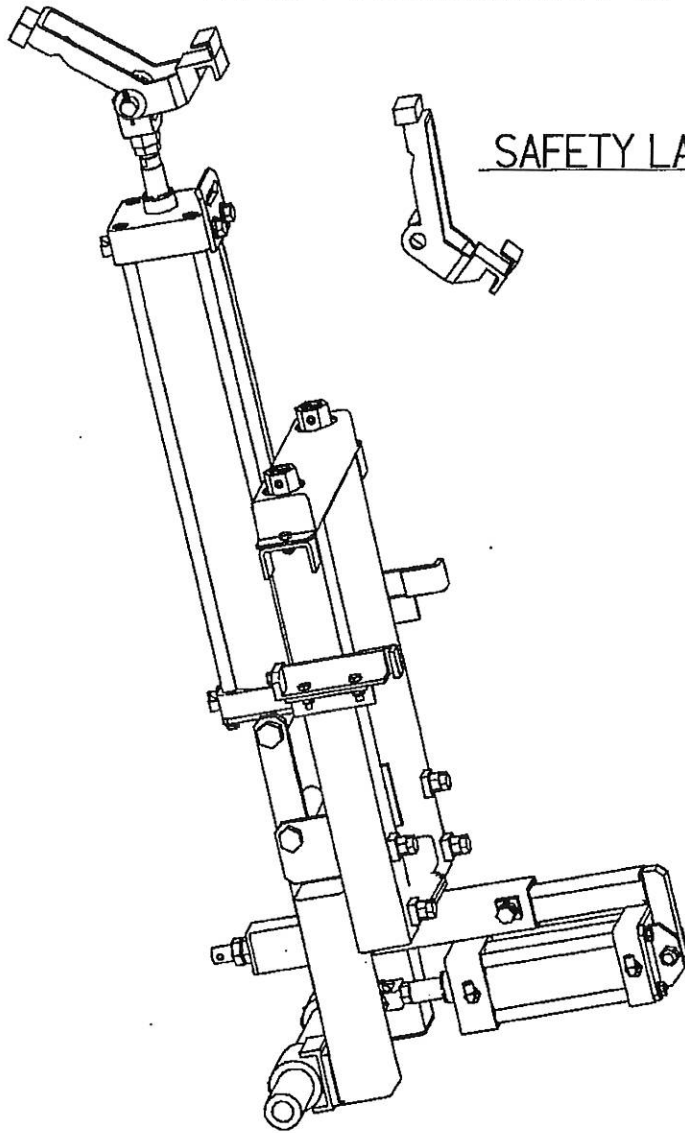
MAST ASSEMBLY



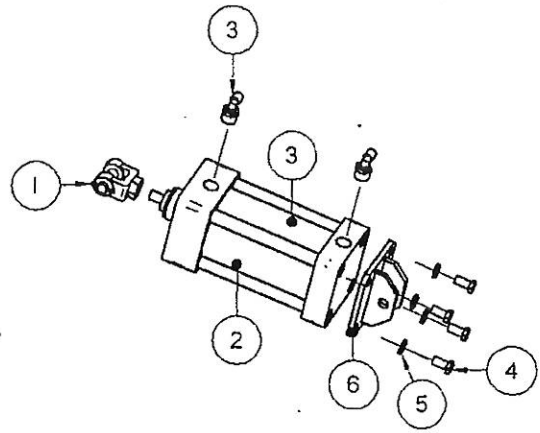
Item Number	File Name	Quantity	Description
1	0500CYL01.par	1	CLEVIS FOR 1" ROD
2	27699NUT.par	1	3/4" JAM NUT
3	3022IPIN.par	2	1/8" X 1 1/4" COTTER PIN
4	SRS1663.par	1	SAFETY LATCH PIN

FNG814300-06

MAST ASSEMBLY 24" DRILL DEPTH



SAFETY LATCH PART # SRG11230

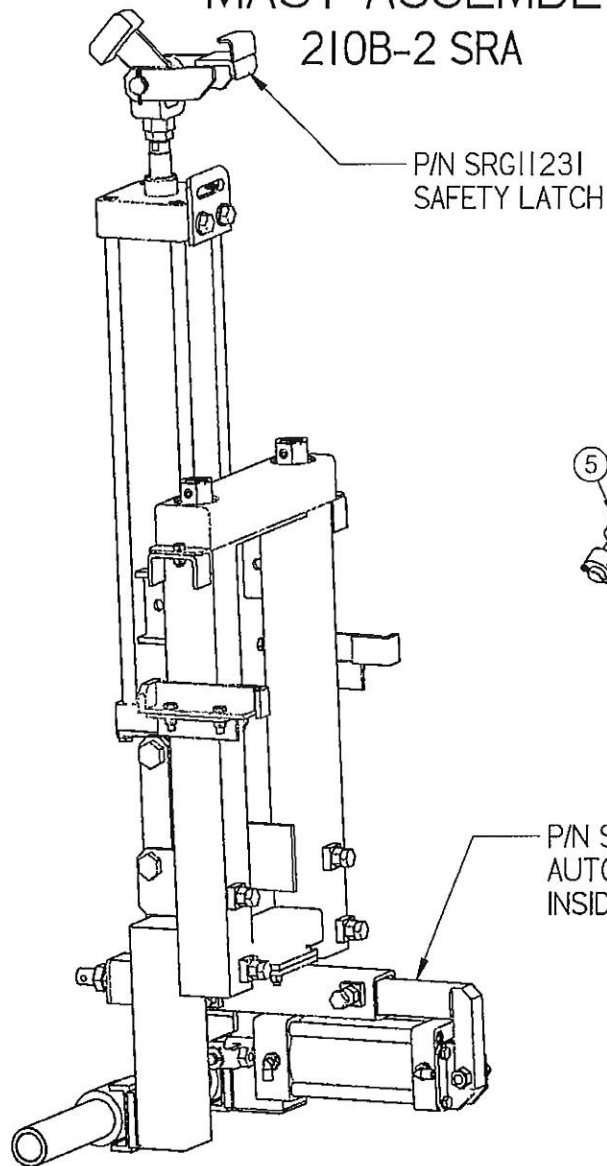


Item Number	File Name	Quantity	Description
1	0501CYL.asm	1	CLEVIS FOR 5/8" ROD
2	052120CYL.asm	1	3 1/4" X 4" CYLINDER
3	2052FIT.par	2	1/4" TO 3/8" 90 DEG. FITTING
4	25162BLT.par	4	3/8" X 3/4" FINE THREAD BOLT
5	2821WAS.par	4	3/8" LOCK WASHER
6	SRS1664.par	1	AUTO ALIGN CYL BRACKET MULTIGANG

FNG81434

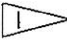
MAST ASSEMBLY 30" DRILL DEPTH

210B-2 SRA



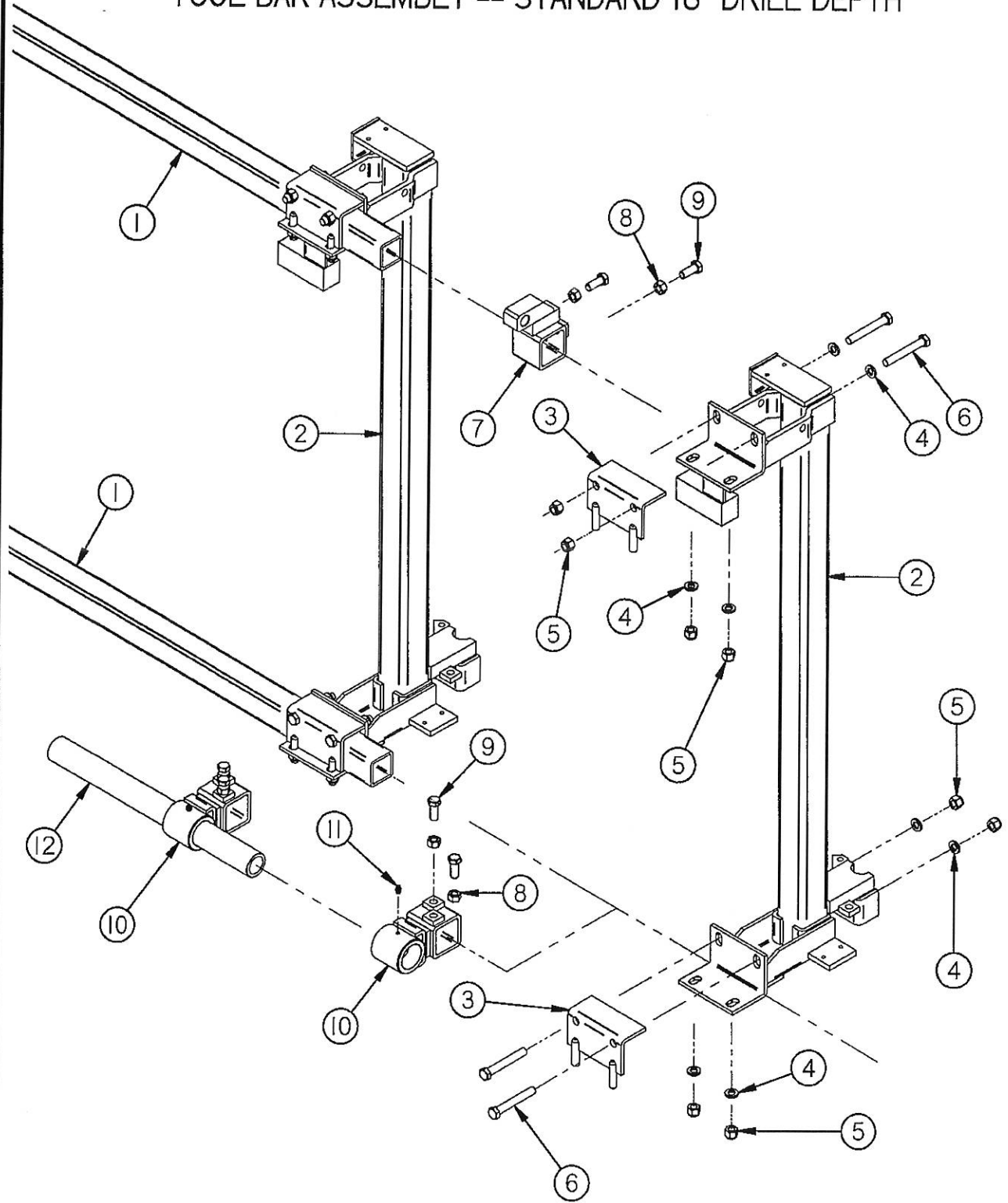
P/N SRS1638
AUTO ALIGN
INSIDE SLIDE

Item Number	File Name	Quantity	Description
1	05213CYL.asm	1	3 1/4" X 5" CYLINDER
2	srs1664.par	1	AUTO ALIGN CYL BRACKET MULTIGANG
3	2821was.par	4	3/8" LOCK WASHER
4	25162blt.par	4	3/8" X 3/4" FINE THREAD BOLT
5	0501cyl.asm	1	CLEVIS WITH PIN FOR 5/8" ROD
6	2052fit.par	2	1/4" TO 3/8" 90 DEG. FITTING

 NOTE: ITEM REF. NO. 1 (05213CYL) INCLUDES A 1" LONG INTERNAL STOP TUBE ON THE ROD SIDE STOP TUBE P/N = SRS16191

FNG814340

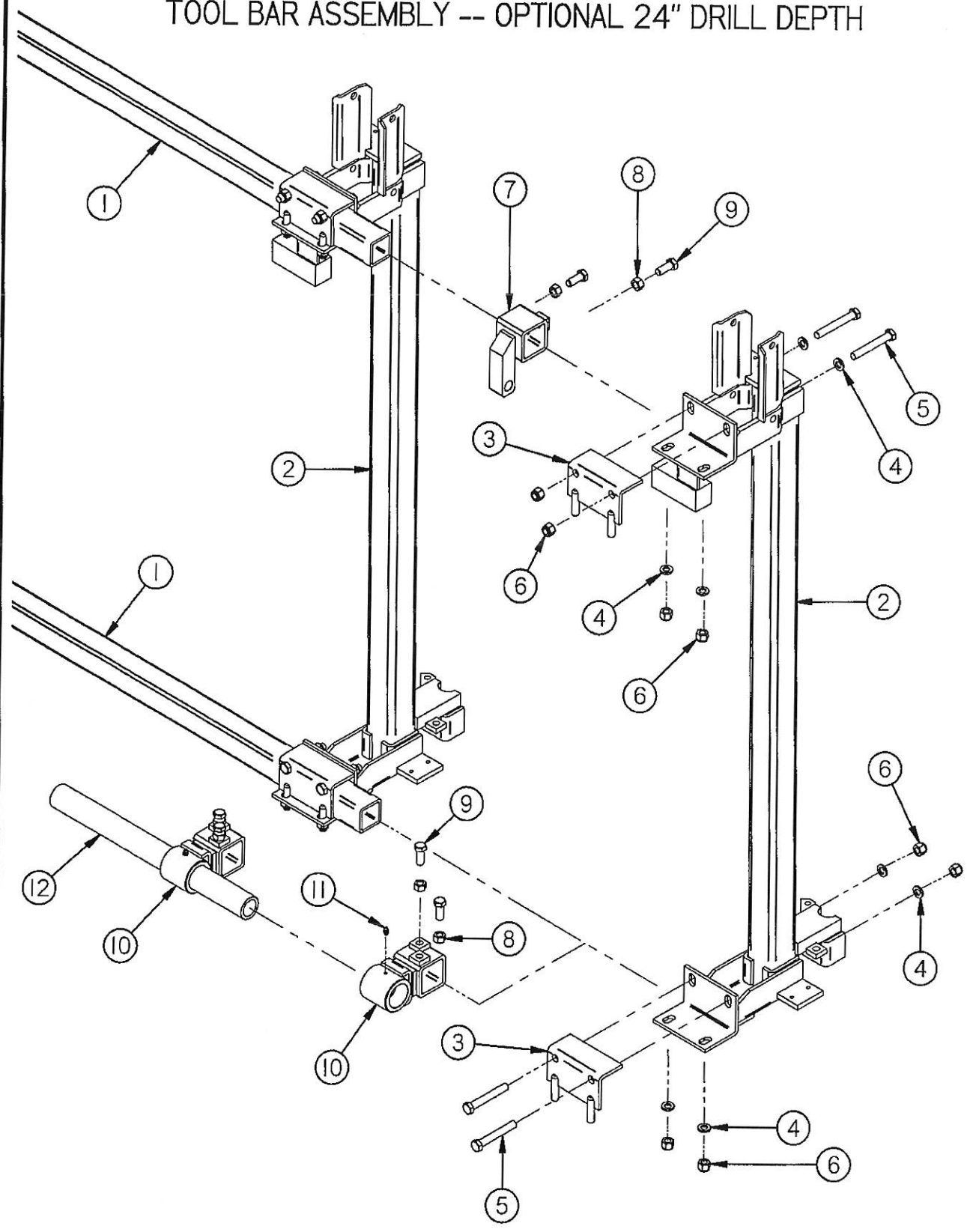
TOOL BAR ASSEMBLY -- STANDARD 18" DRILL DEPTH



TOOL BAR ASSEMBLY -- STANDARD 18" DRILL DEPTH

Item No.	Part No.	Quantity	Description
1	SRUI318	2	OUTSIDE TOOL BAR (2.0" SQ.)
2	SRSI6334	2	18" STANDARD FEED BAR
3	MFA0642	4	2" TOOL BAR CLAMP (5" WIDE)
4	283IWAS	16	7/8"OD X 1/2"ID WASHER 10GA.
5	2734NUT	16	1/2" NC NYLON INSERT LOCKNUT
6	2568 BLT	8	1/2" NC X 3.50" HX HD BOLT
7	SRUI350	1	TOOL BAR / CYL MT. HINGE (18" DD)
8	2732 NUT	6	1/2" NC STANDARD NUT
9	2560BLT	6	1/2" NC X 1.25" HX HD BOLT
10	SRSI6351	2	HINGE, 1.75" DIA. TOOL BAR
11	9501 MIS	2	1/4-28 NF ST. GREASE ZERK
12	SRUI3190	1	UPPER TOOL BAR, 1.75 DIA. X 18.5 LG.

TOOL BAR ASSEMBLY -- OPTIONAL 24" DRILL DEPTH



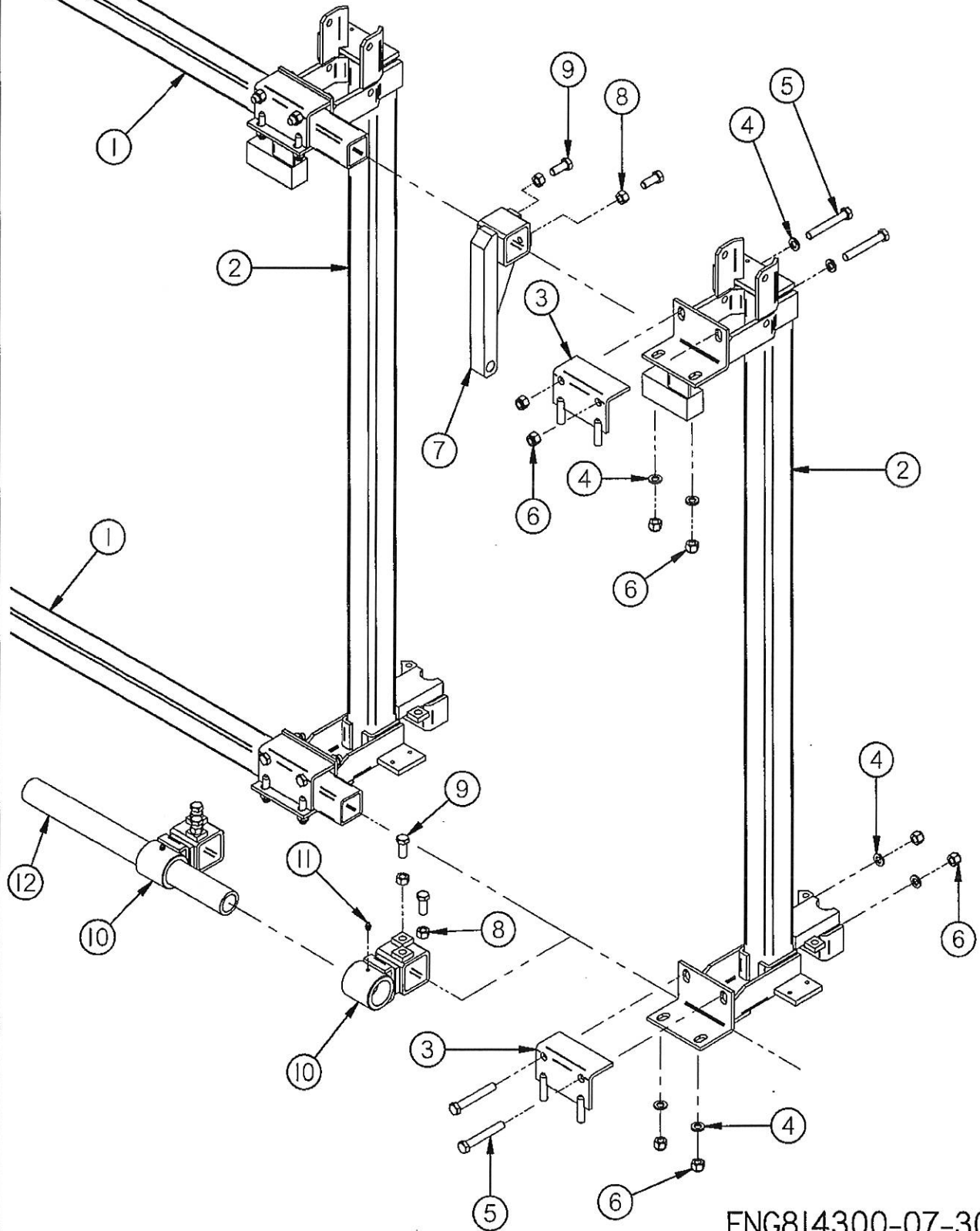
03-27-12

FNG814300-07-24

TOOL BAR ASSEMBLY -- OPTIONAL 24" DRILL DEPTH

Item No.	Part No.	Quantity	Description
1	SRUI318	2	OUTSIDE TOOL BAR (2.0" SQ.)
2	SRSI6336	2	24" OPTIONAL FEED BAR
3	MFA0642	4	2" TOOL BAR CLAMP (5" WIDE)
4	283IWAS	16	7/8"OD X 1/2"ID WASHER 10GA.
5	2568 BLT	8	1/2" NC X 3.50" HX HD BOLT
6	2734NUT	16	1/2" NC NYLON INSERT LOCKNUT
7	SRUI3500	1	TOOL BAR / CYL MT. HINGE (24" DD)
8	2732 NUT	6	1/2" NC STANDARD NUT
9	2560BLT	6	1/2" NC X 1.25" HX HD BOLT
10	SRSI6351	2	HINGE, 1.75" DIA. TOOL BAR
11	9501 MIS	2	1/4-28 NF ST. GREASE ZERK
12	SRUI3190	1	UPPER TOOL BAR, 1.75 DIA. X 18.5 LG.

TOOL BAR ASSEMBLY -- OPTIONAL 30" DRILL DEPTH



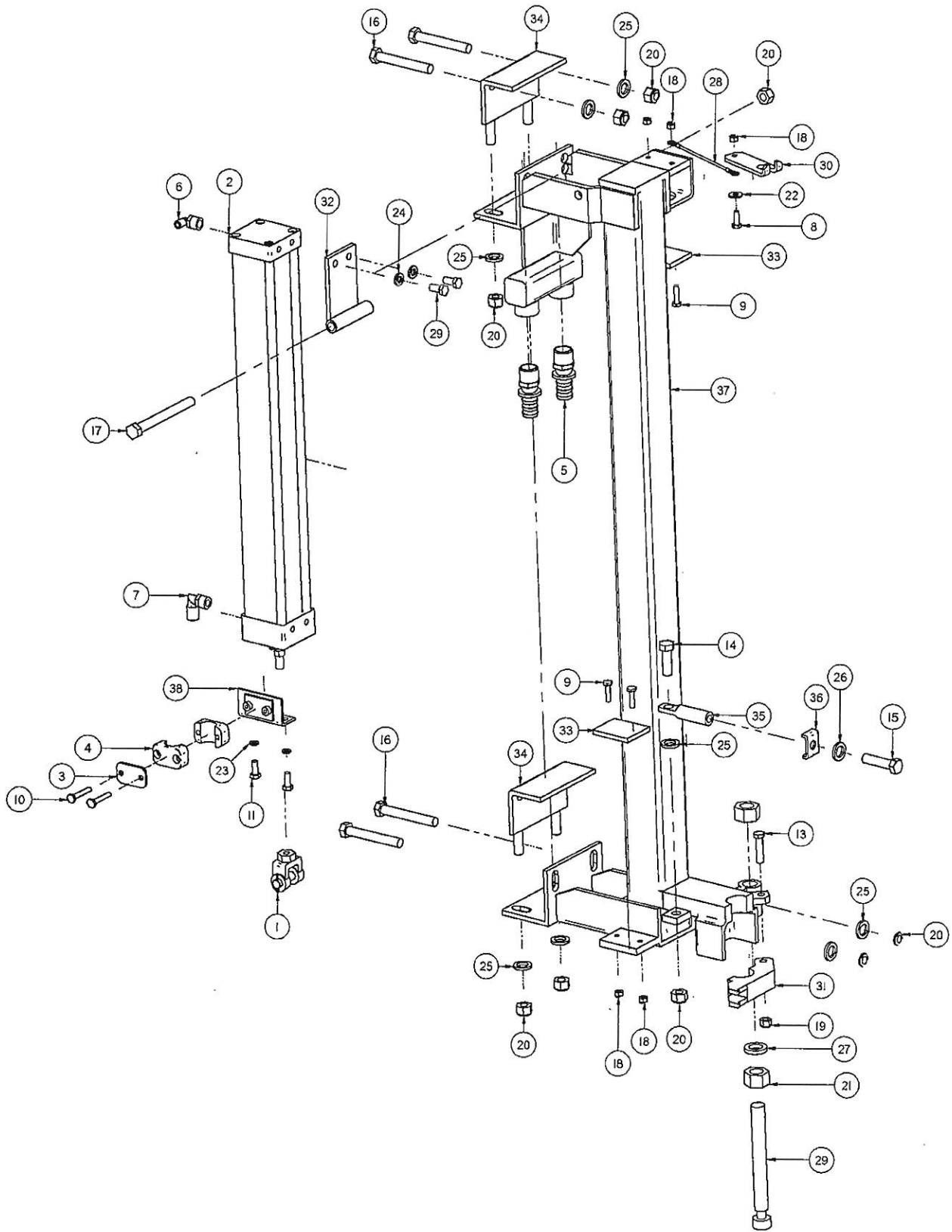
03-27-12

FNG814300-07-30

TOOL BAR ASSEMBLY -- OPTIONAL 30" DRILL DEPTH

Item No.	Part No.	Quantity	Description
1	SRUI318	2	OUTSIDE TOOL BAR (2.0" SQ.)
2	SRSI63360	2	30" OPTIONAL FEED BAR
3	MFA0642	4	2" TOOL BAR CLAMP (5" WIDE)
4	283IWAS	16	7/8"OD X 1/2"ID WASHER 10GA.
5	2568 BLT	8	1/2" NC X 3.50" HX HD BOLT
6	2734NUT	16	1/2" NC NYLON INSERT LOCKNUT
7	SRUI3504	1	TOOL BAR / CYL. MT. HINGE (30" DD)
8	2732 NUT	6	1/2" NC STANDARD NUT
9	2560BLT	6	1/2" NC X 1.25" HX HD BOLT
10	SRSI6351	2	HINGE, 1.75" DIA. TOOL BAR
11	9501 MIS	2	1/4-28 NF ST. GREASE ZERK
12	SRUI3190	1	UPPER TOOL BAR, 1.75 DIA. X 18.5 LG.

FEED BAR ASSEMBLY



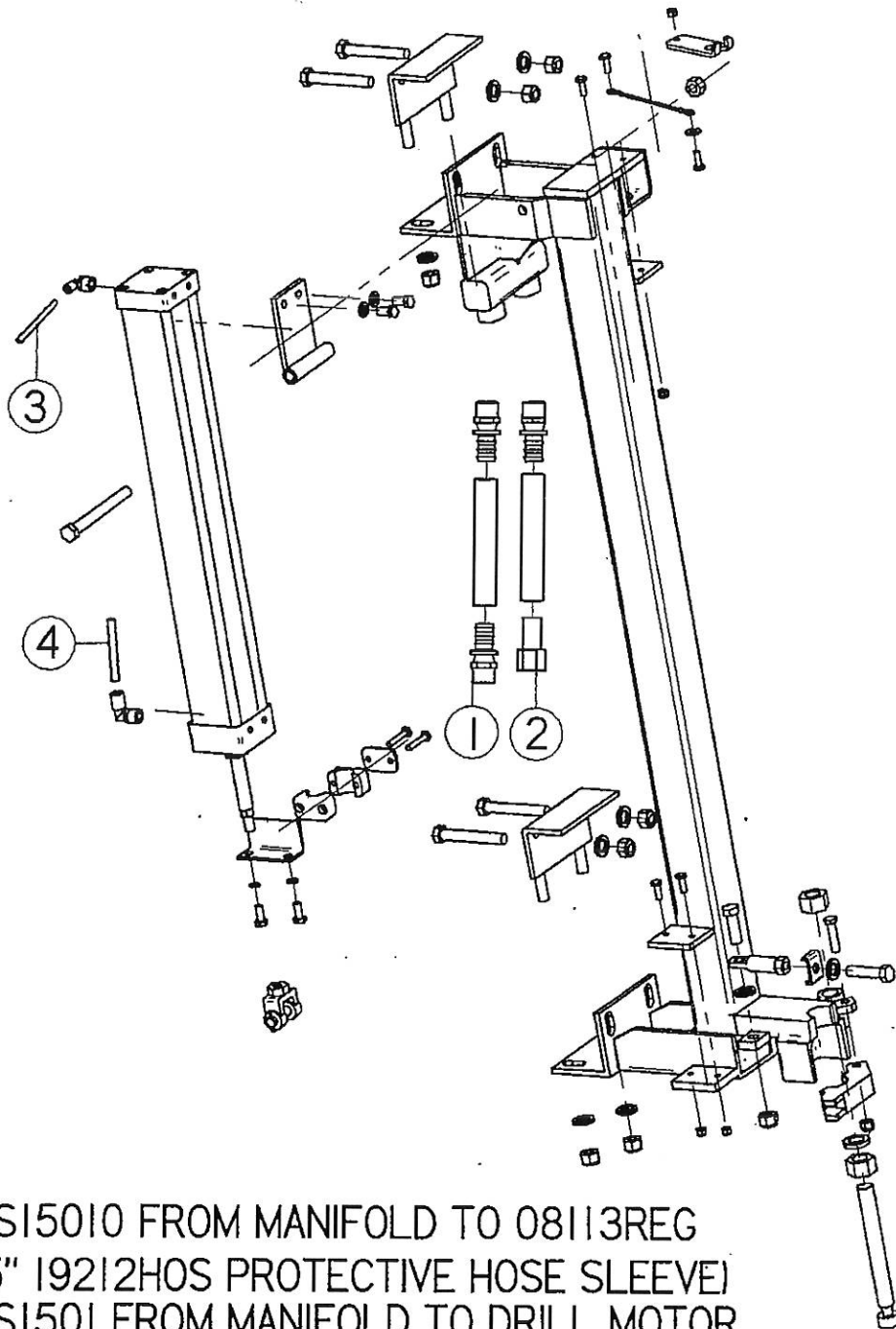
FNG814300-08

FEED BAR ASSEMBLY

Item Number	File Name	Quantity	Description
1	0501cyl.asm	1	CLEVIS WITH PIN FOR 5/8" ROD
2	05141CYL.asm	1	2.5" X 20" FEED CYLINDER
3	192309hos.par	1	1" VIBRATION DAMPING HOSE CLAMP
4	192309hos.par	2	1" VIBRATION DAMPING HOSE CLAMP
5	1999fit.par	2	3/4" X 3/4" HOSE SWIVEL
6	2052fit.par	1	1/4" TO 3/8" 90 DEG. FITTING
7	2054fit.par	1	3/8" X 3/8" 90 DEG. FITTING
8	2501blt.par	1	1/4" X 3/4" BOLT
9	2503blt.par	4	1/4" X 1" BOLT
10	2506blt.par	2	1/4" X 1 1/2" BOLT
11	2516blt.par	2	5/16" X 3/4" FINE THREAD BOLT
12	2537blt.par	2	3/8" X 3/4" BOLT
13	2541blt.par	1	3/8" X 1 1/2" BOLT
14	2562blt.par	1	1/2" X 1 1/2" BOLT
15	2563blt.par	1	1/2" X 2" BOLT
16	2568blt.par	4	1/2" X 3 1/2" BOLT
17	2575blt.par	1	1/2" X 5" BOLT
18	2716nut.par	5	1/4" NYLON LOCK NUT
19	2727nut.par	1	3/8" LOCKNUT
20	2734nut.par	10	1/2" LOCKNUT
21	27490nut.par	2	3/4" COIL ROD NUT
22	2801was.par	1	1/4" FLAT WASHER
23	2810was.par	2	5/16" LOCK WASHER
24	2821was.par	2	3/8" LOCK WASHER
25	2831was.par	9	7/8"OD X 1/2"ID WASHER 10GA.
26	2832was.par	1	1/2" LOCK WASHER
27	2852was.par	1	3/4" LOCK WASHER
28	3030pin.par	1	6" LANYARD WITH LOOPS
29	cro02041.par	1	6" STOP ROD
30	cro0218.par	1	CARRIAGE LOCK
31	mfa0609.par	1	BIT GUIDE
32	mfa0625.par	1	FEED CYLINDER MOUNT BRACKET
33	mfa0626.par	2	STOP PAD
34	mfa06420.par	2	2" FEED BAR CLAMP
35	mfa0674.par	1	SWIVEL BOLT
36	mfa0690.par	1	BIT GUIDE KEEPER
37	srs16334.par	1	FEED BAR FOR 210B-2SRA
38	srs1680.par	1	1" HOSE MOUNT BRACKET

FNG814300-08

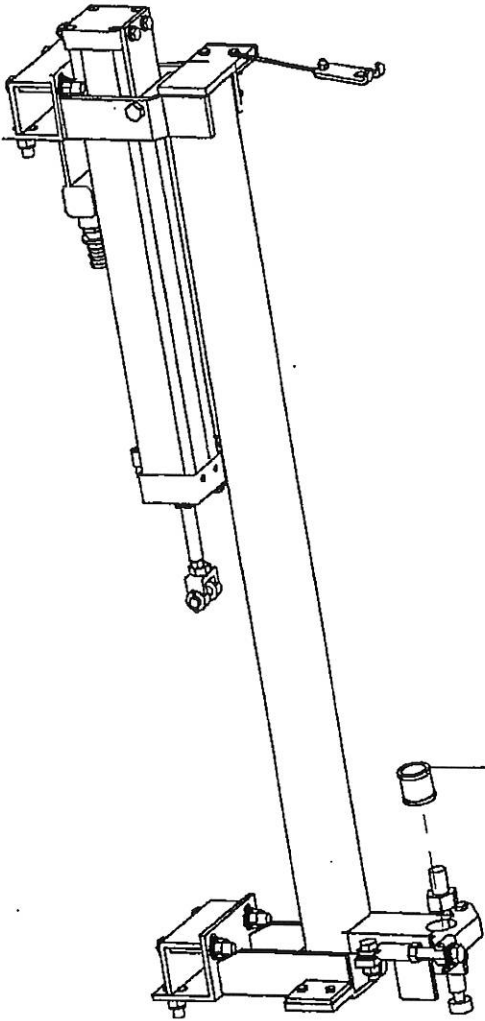
FEED BAR ASSEMBLY



1. HOS15010 FROM MANIFOLD TO 08113REG
(85" 19212HOS PROTECTIVE HOSE SLEEVE)
2. HOS1501 FROM MANIFOLD TO DRILL MOTOR
3. 14' OF 1903HOS 1/4" BLACK TUBING FROM FEED CYLINDER
IN TO 08101REG
4. 14' OF 1905HOS 3/8" BLACK TUBING FROM FEED CYLINDER
OUT TO 060102VAL

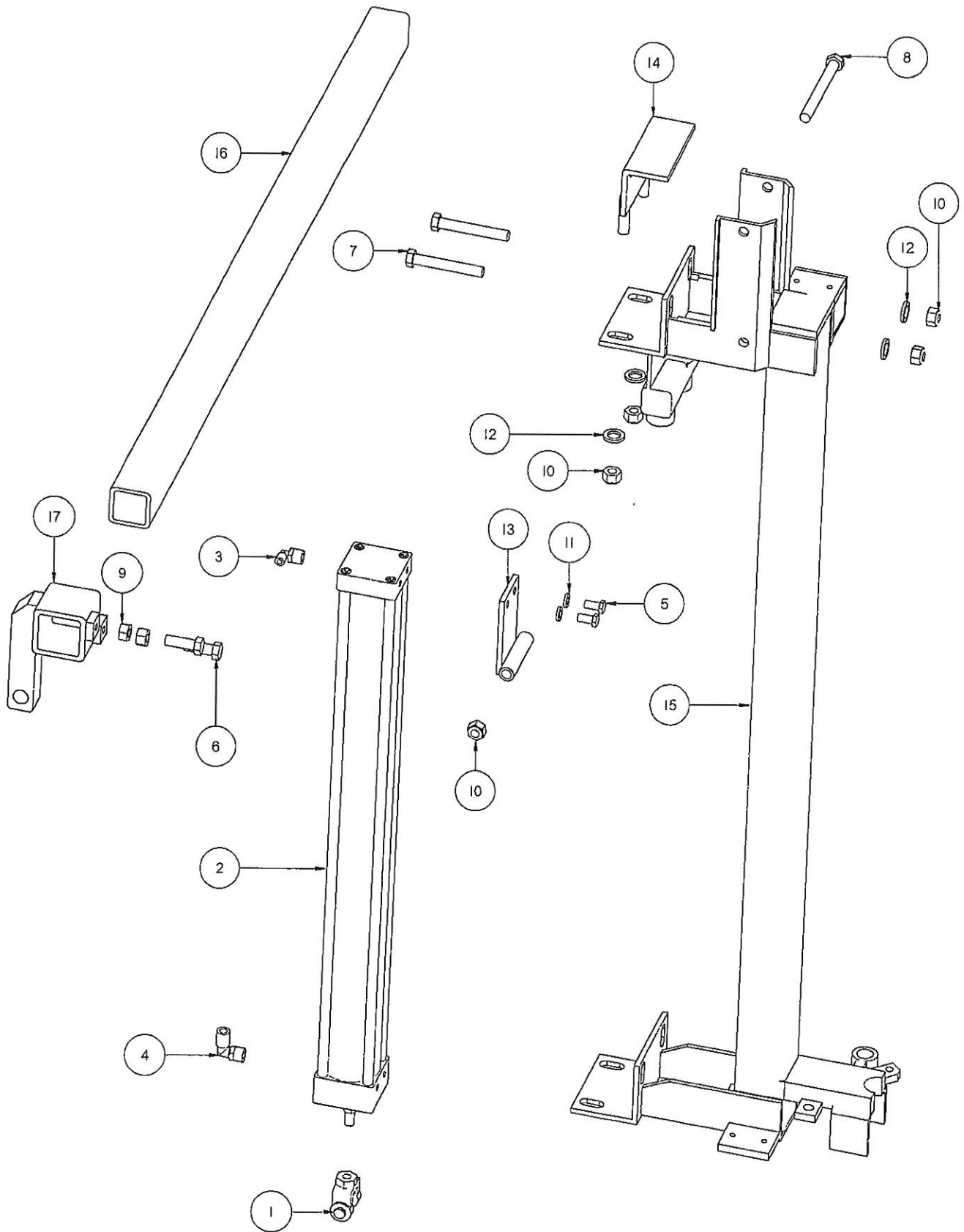
FNG814300-08

FEED BAR ASSEMBLY



FNG814300-08

FEED BAR ASSEMBLY FOR 24" DRILL DEPTH



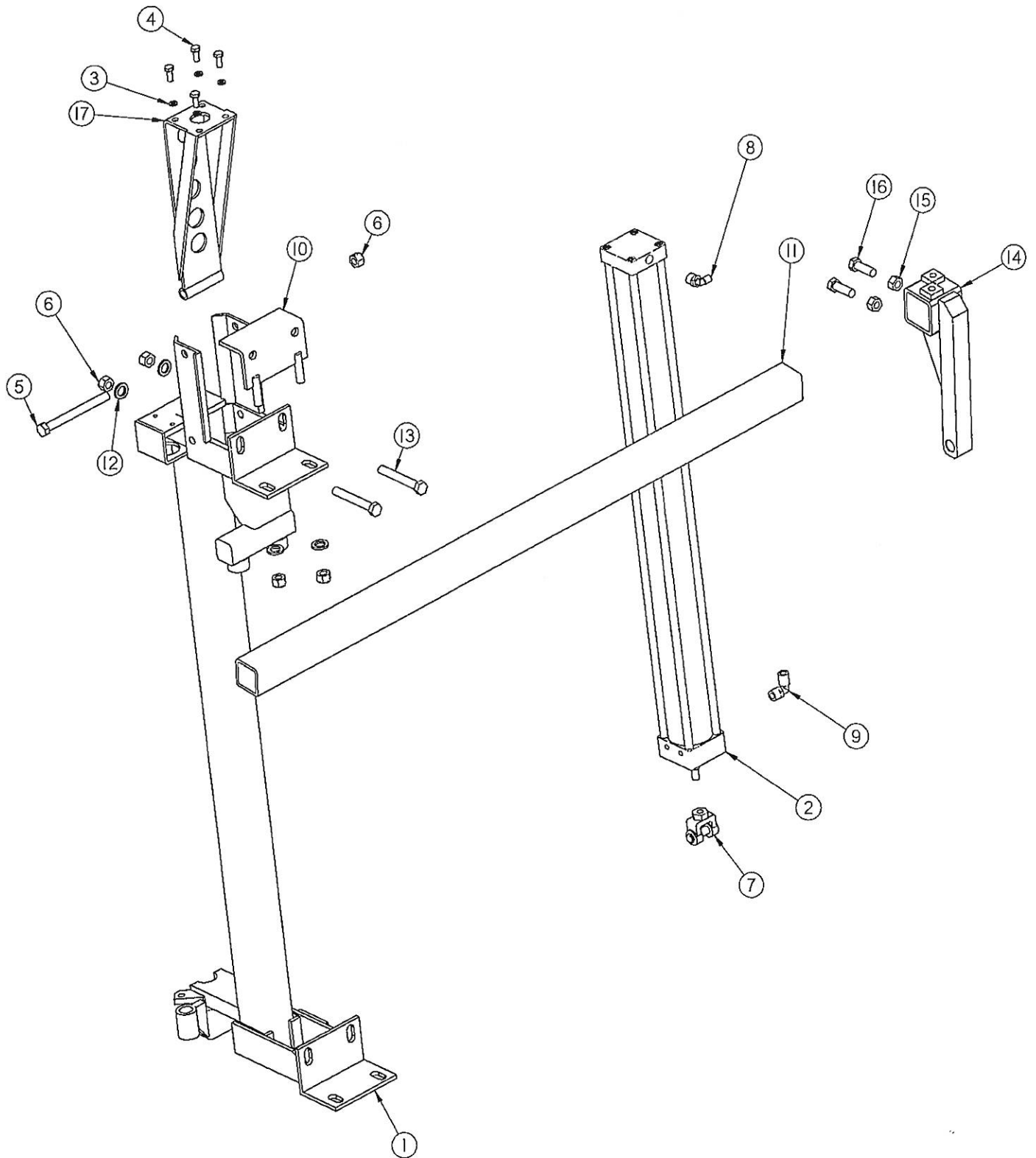
FNG81434

FEED BAR ASSEMBLY FOR 24" DRILL DEPTH

Item Number	File Name	Quantity	Description
1	0501CYL.asm	1	CYLINDER CLEVIS
2	05161CYL.asm	1	FEED CYLINDER FOR 24" DRILL DEPTH
3	2052FIT.par	1	1/4" TO 3/8" 90 DEG. FITTING
4	2054FIT.par	1	3/8" X 3/8" 90 DEG. FITTING
5	2537BLT.par	2	3/8" X 3/4" BOLT
6	2562BLT.par	2	1/2" X 1 1/2" BOLT
7	2568BLT.par	2	1/2" X 3 1/2" BOLT
8	2575BLT.par	1	1/2" X 5" BOLT
9	2732NUT.par	2	1/2" STANDARD NUT
10	2734nut.par	5	1/2" LOCKNUT
11	2821WAS.par	2	3/8" LOCK WASHER
12	2831WAS.par	4	7/8"OD X 1/2"ID WASHER 10GA.
13	MFA0625.par	1	FEED CYLINDER MOUNT BRACKET
14	MFA06420.par	1	2" FEED BAR CLAMP
15	SRS16336.par	1	FEED BAR 24" DRILL DEPTH
16	SRU1318.par	1	OUTSIDE TOOL BAR
17	SRU13500.par	1	TOOL BAR TO CYLINDER MOUNT HINGE 24"

FNG81434

FEED BAR ASSEMBLY FOR 30" DRILL DEPTH 210B-2 SRA



FNG814340

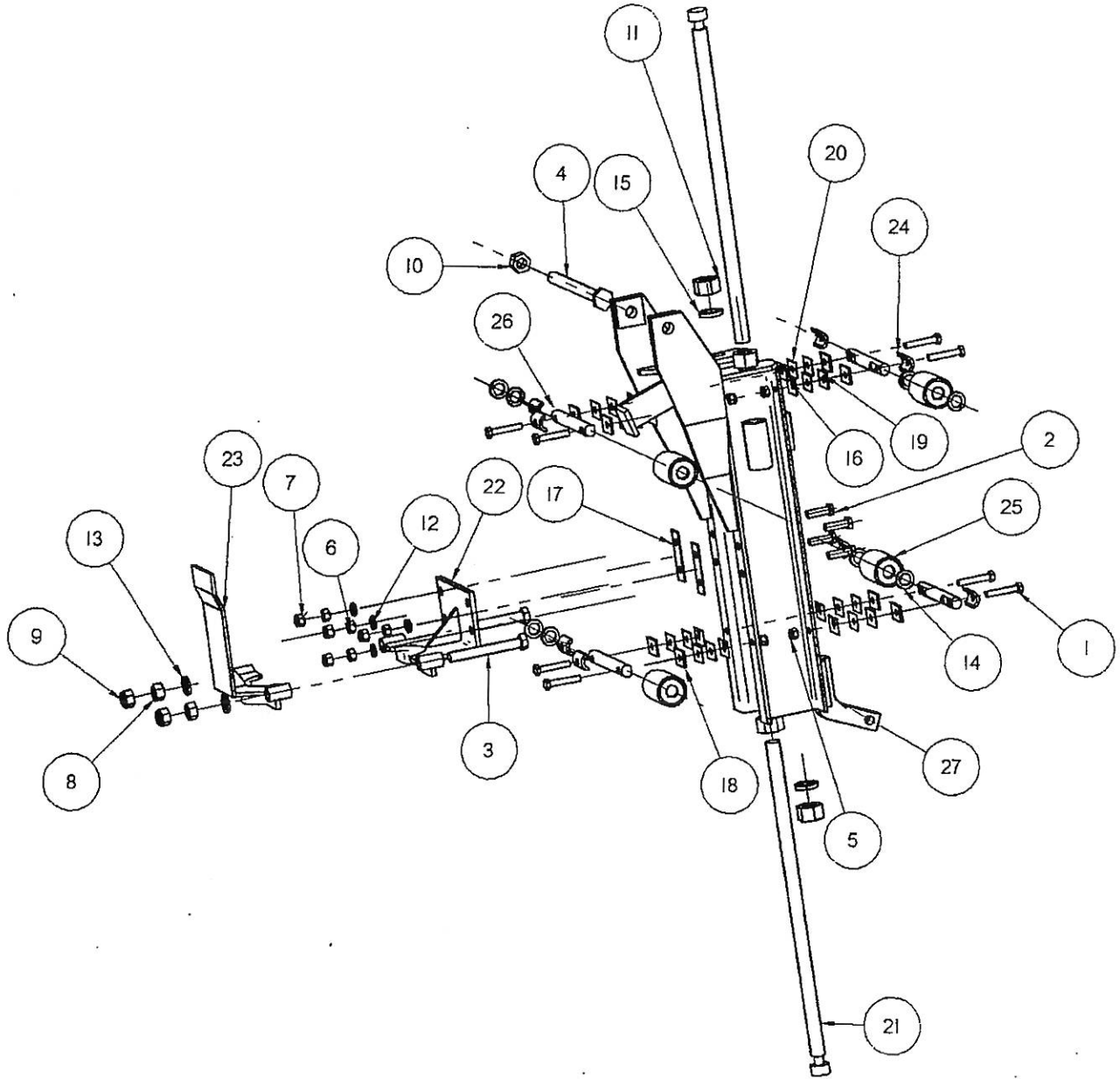
FEED BAR ASSEMBLY FOR 30" DRILL DEPTH

210B-2 SRA

Item Number	File Name	Quantity	Description
1	SRS16336.par	1	FEED BAR 24" DRILL DEPTH
2	05171 CYL.asm	1	FEED CYLINDER FOR 30" DRILL DEPTH
3	2810WAS.par	4	5/16" LOCK WASHER
4	2516BLT.par	4	5/16" X 3/4" FINE THREAD BOLT
5	2575BLT.par	1	1/2" X 5" BOLT
6	2734nut.par	5	1/2" LOCKNUT
7	0501CYL.asm	2	CYLINDER CLEVIS
8	2052FIT.par	1	1/4" TO 3/8" 90 DEG. FITTING
9	2054FIT.par	1	3/8" X 3/8" 90 DEG. FITTING
10	MFA06420.par	1	2" FEED BAR CLAMP
11	SRUI318.par	1	OUTSIDE TOOL BAR
12	2831WAS.par	4	7/8"OD X 1/2"ID WASHER 10GA.
13	2568BLT.par	2	1/2" X 3 1/2" BOLT
14	SRUI3504.asm	1	TOOL BAR / CYL MT. HINGE 30"
15	2732NUT.par	2	1/2" STANDARD NUT
16	2562BLT.par	2	1/2" X 1 1/2" BOLT
17	MFA06243.par	1	CYLINDER MOUNTING BRACKET (24-30" DD)

FNG814340

CARRIAGE ASSEMBLY



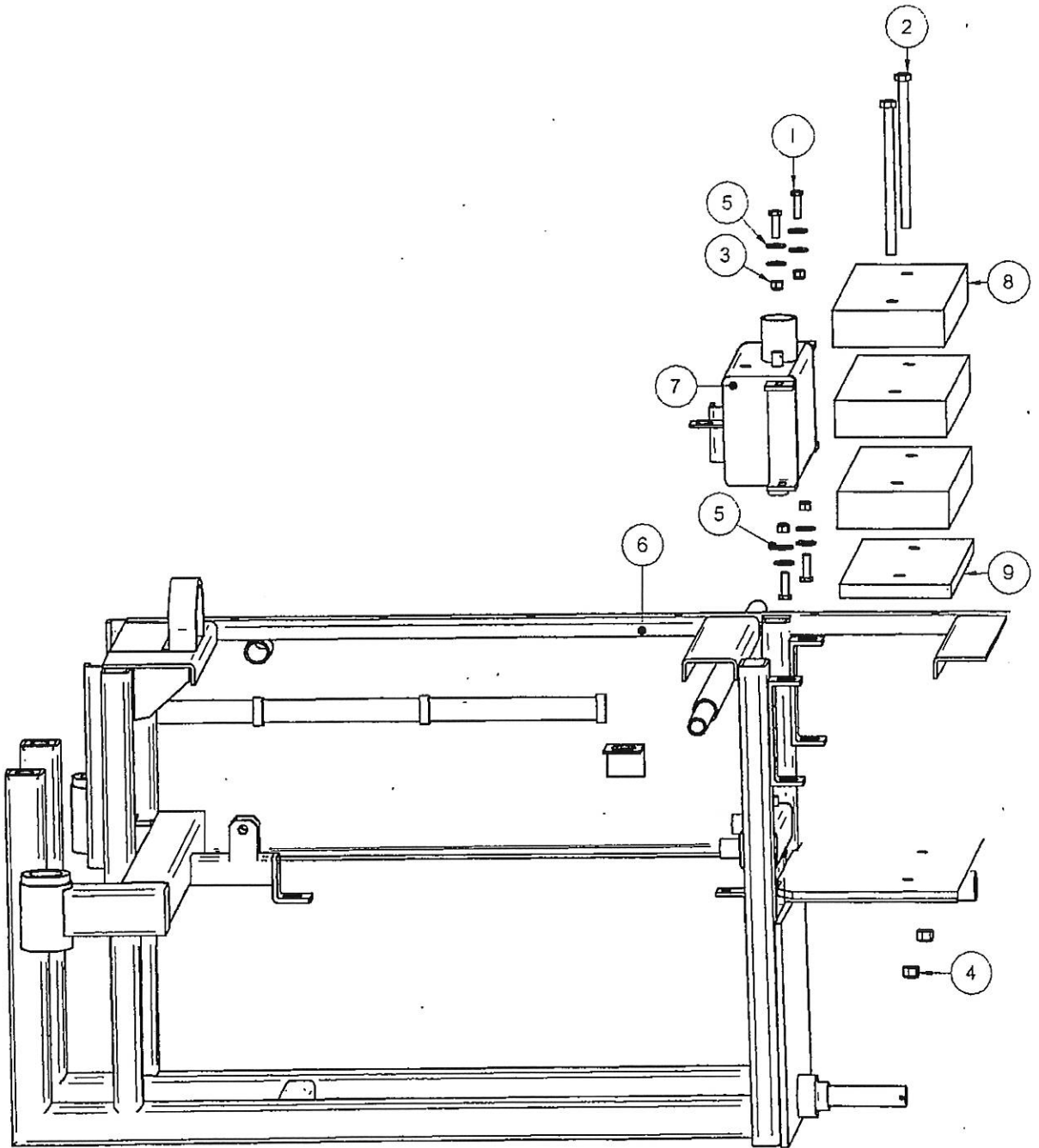
FNG814300-09

CARRIAGE ASSEMBLY

Item Number	File Name	Quantity	Description
1	2526BLT	8	5/16" X 1-1/2" BOLT
2	2540BLT.par	4	3/8" X 1 1/4" BOLT
3	2570BLT.par	2	1/2" X 4" BOLT
4	2590BLT.par	1	5/8" X 8" BOLT
5	2719NUT.par	8	5/16" LOCKNUT
6	2725NUT.par	4	3/8" STANDARD NUT
7	2727NUT.par	4	3/8" LOCKNUT
8	2732NUT.par	2	1/2" STANDARD NUT
9	2734NUT.par	2	1/2" LOCKNUT
10	2742NUT.par	1	5/8" LOCKNUT
11	27490NUT.par	4	3/4" COIL ROD NUT
12	2821WAS.par	4	3/8" LOCK WASHER
13	2832WAS.par	2	1/2" WASHER
14	2841WAS.par	8	5/16" WASHER
15	2852WAS.par	2	3/4" LOCK WASHER
16	7009TAB.par	8	STAINLESS STEEL SHIM
17	7010TAB.par	2	16 GA. TWO HOLE SHIM
18	7011TAB.par	8	12 GA. SHIM
19	7012TAB.par	8	18 GA. SHIM
20	7013TAB.par	8	22 GA. SHIM
21	Cra02030.Par	2	18" STOP ROD
22	CRA0214.par	1	UPPER DRILL BRACKET
23	CRA0216.par	1	LOWER DRILL BRACKET
24	CRA0230.par	8	BEARING KEEPER
25	CRA0233.par	4	ROLLER BEARING DRUM
26	CRA0234.par	4	ROLLER BEARING AXLE
27	CRG01041.par	1	CARRIAGE

FNG814300-09

COUNTER WEIGHT ASSEMBLY



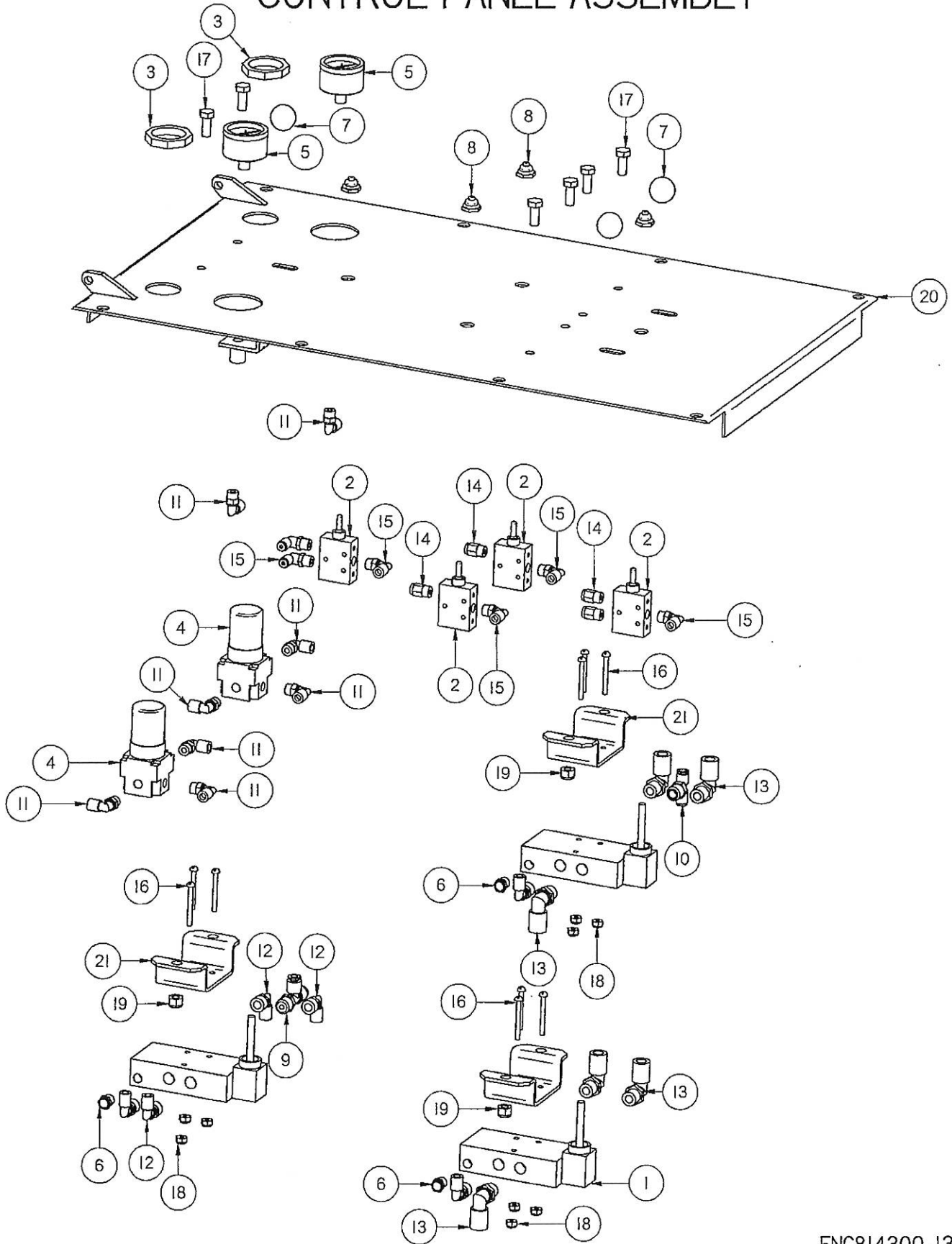
FNG814300-10

COUNTER WEIGHT ASSEMBLY

Item Number	File Name	Quantity	Description
1	2540BLT.par	4	3/8" X 1 1/4" BOLT
2	2580IBLT.par	2	1/2" X 8" BOLT
3	2727NUT.par	4	3/8" LOCKNUT
4	2734NUT.par	2	1/2" LOCKNUT
5	2820IWAS.par	8	3/8" HARDENED FLAT WASHER
6	MNF0528.asm	1	MAIN FRAME
7	SRSI6264.par	1	OIL TANK
8	SRSI6271.par	3	COUNTER WEIGHT LARGE
9	SRSI6272.par	1	COUNTER WEIGHT SMALL

FNG814300-10

CONTROL PANEL ASSEMBLY



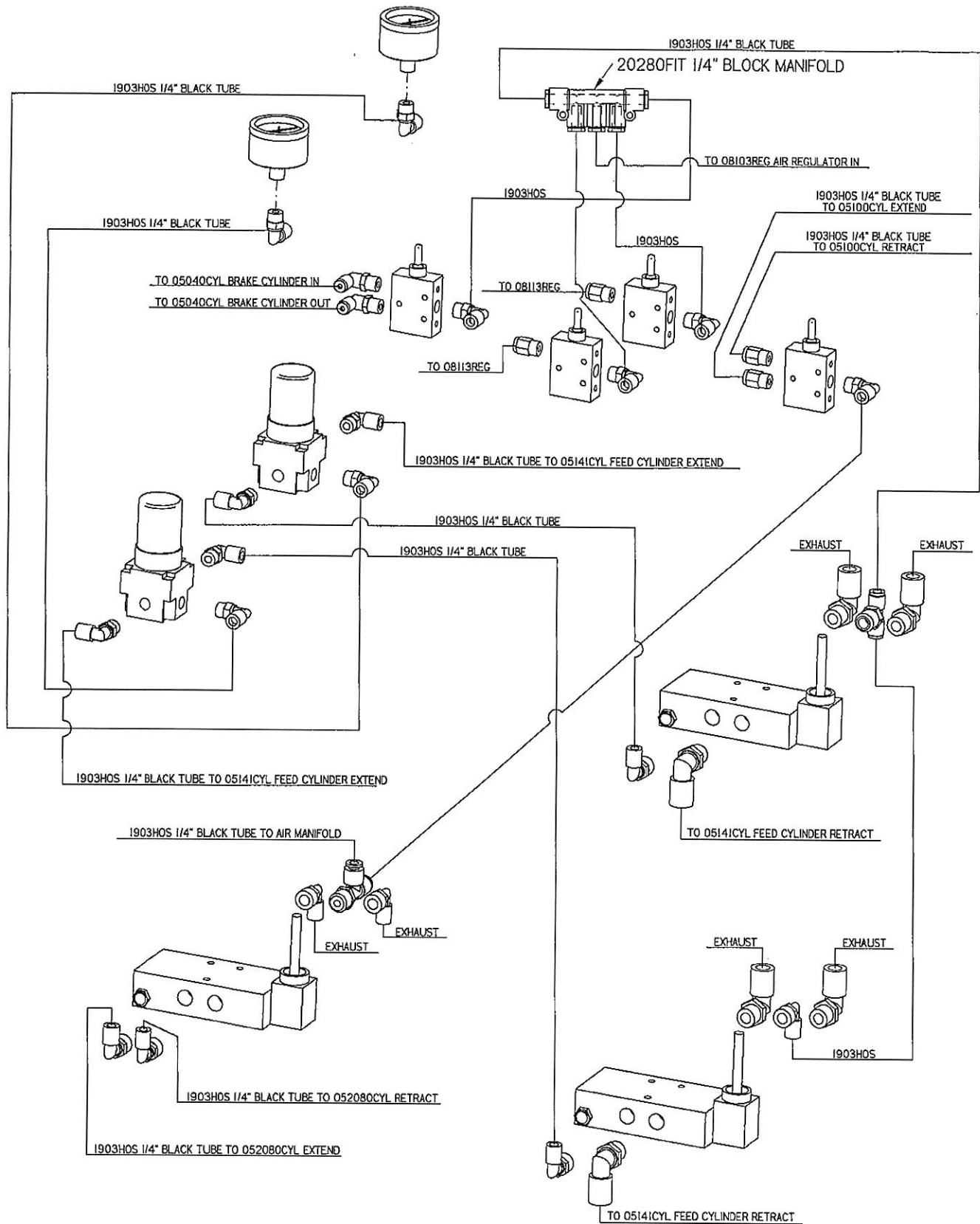
FNG814300-13

CONTROL PANEL ASSEMBLY

Item Number	File Name	Quantity	Description
1	060102VAL.par	3	3 WAY POSITION VALVE WITH KNOB
2*	06095VAL.par	4	TOGGLE SWITCH
3	081010REG.par	2	REGULATOR LOCK RING
4	081010REG.par	2	REGULATOR WITH LOCK RING
5	09022GAU.par	2	GAUGE 0-60 1/8" MPT
6	100IBRV.par	3	1/8" BREATHER VENT
7	17420IRPT.par	3	KNOB
8	1828GRO.par	4	RED BOOT FOR 06095VAL
9	2035FIT.par	1	1/4" X 1/4" MALE RUN T
10*	2041FIT.par	1	1/4" BRANCH T
11	2050FIT.par	12	1/4" TO 1/8" 90 DEG. FITTING
12	2051FIT.par	7	1/4" TO 1/4" 90 DEG. FITTING
13	2053FIT.par	6	3/8" TO 1/4" MALE 90
14*	2066FIT.par	4	1/4" TO 1/8" MALE CONNECTOR
15	2075IFIT.par	2	1/8" X 1/8" 90 DEG. SWIVEL
16	2478BLT.par	9	8/32" X 1 1/2" BOLT
17	2519BLT.par	6	5/16" X 3/4" BOLT
18	2712NUT.par	9	8/32" NYLON LOCK NUT
19	2719NUT.par	3	5/16" NYLON LOCK NUT
20	PAN04080.par	1	CONTROL PANEL
21	SRUI3460.psm	3	VALVE SPACER

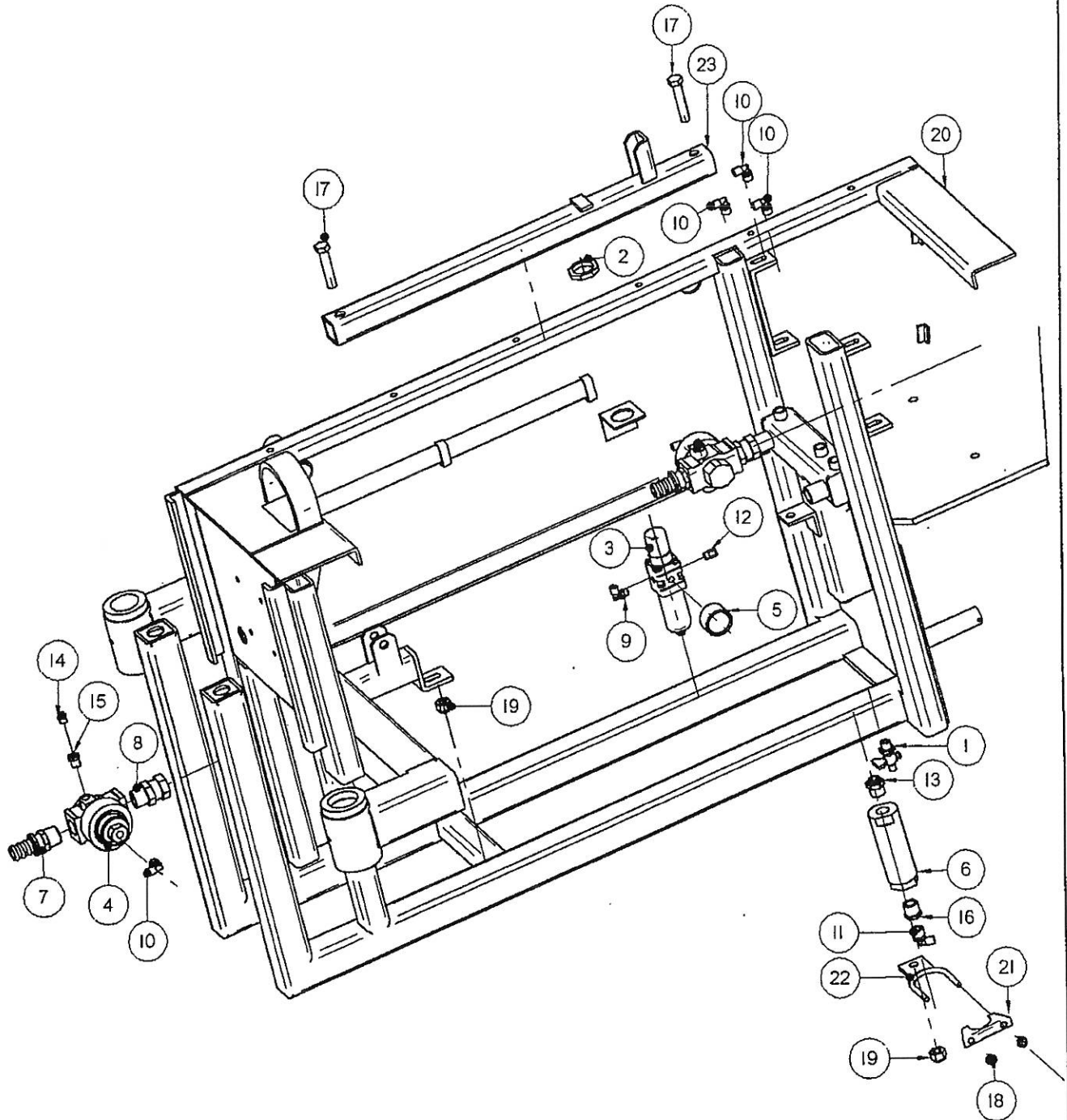
FNG814300-13

CONTROL PANEL SCHEMATIC



FNG814300-13

INTERNAL REGULATOR ASSEMBLY



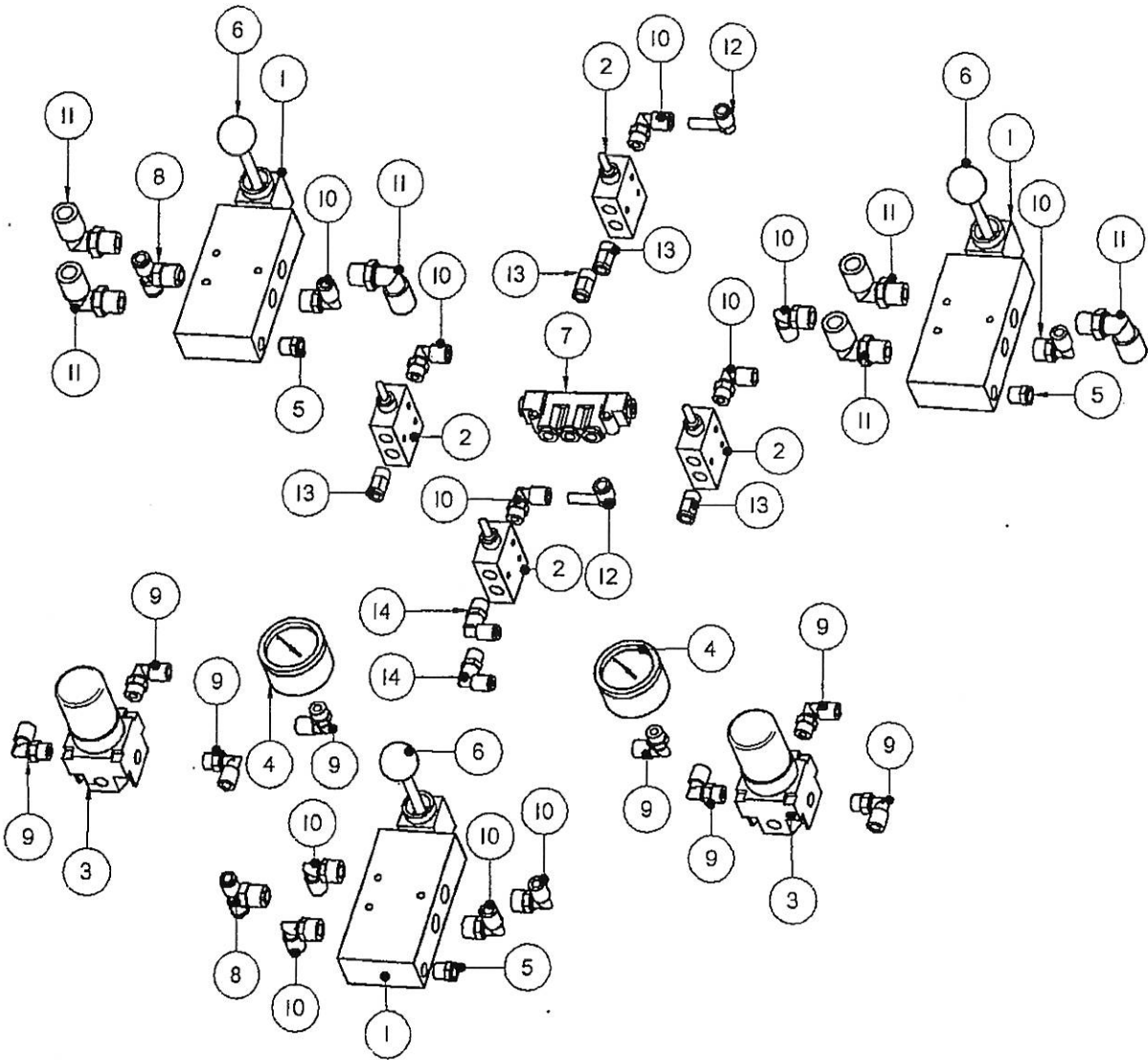
FNG814300-12

INTERNAL REGULATOR ASSEMBLY

Item Number	File Name	Quantity	Description
1	06056VAL.par	1	BUTTERFLY BLEEDER VALVE
2*	08103REG.par	1	REGULATOR LOCK RING
3*	08103REG.par	1	1/8" FILTER REGULATOR
4*	08113REG.par	2	3/4" REGULATOR
5	09023GAU.par	1	0-160 GAUGE
6	1006BRV.par	1	1/2" HYDRAULIC FILTER
7*	1999FIT.par	2	3/4" X 3/4" HOSE SWIVEL
8*	20010FIT.par	2	3/4" SWIVEL CONNECTOR
9	2050FIT.par	1	1/4" TO 1/8" 90 DEG. FITTING
10	2051FIT.par	5	1/4" TO 1/4" 90 DEG. FITTING
11*	2052FIT.par	1	1/4" TO 3/8" 90 DEG. FITTING
12	2066FIT.par	1	1/4" TO 1/8" MALE CONNECTOR
13	2072FIT.par	1	3/8" TO 1/2" MALE CONNECTOR
14	20750FIT.par	2	1/8" X 1/8" MALE FITTING
15	20755FIT.par	2	1/4" X 1/8" BUSHING
16	20760PFT.par	1	1/2" TO 3/8" REDUCER
17	2564BLT.par	2	1/2" X 2 1/2" BOLT
18	2719NUT.par	2	5/16" NYLON LOCK NUT
19	2734NUT.par	2	1/2" LOCKNUT
20	MNF0528.asm	1	MAIN FRAME
21	SRS16265.par	1	OIL FILTER BRACKET
22*	SRS16265.par	1	OIL FILTER BRACKET
23	SRU13041.par	1	STEERING SLIDE BAR

FNG814300-12

AIR LINE SCHEMATIC



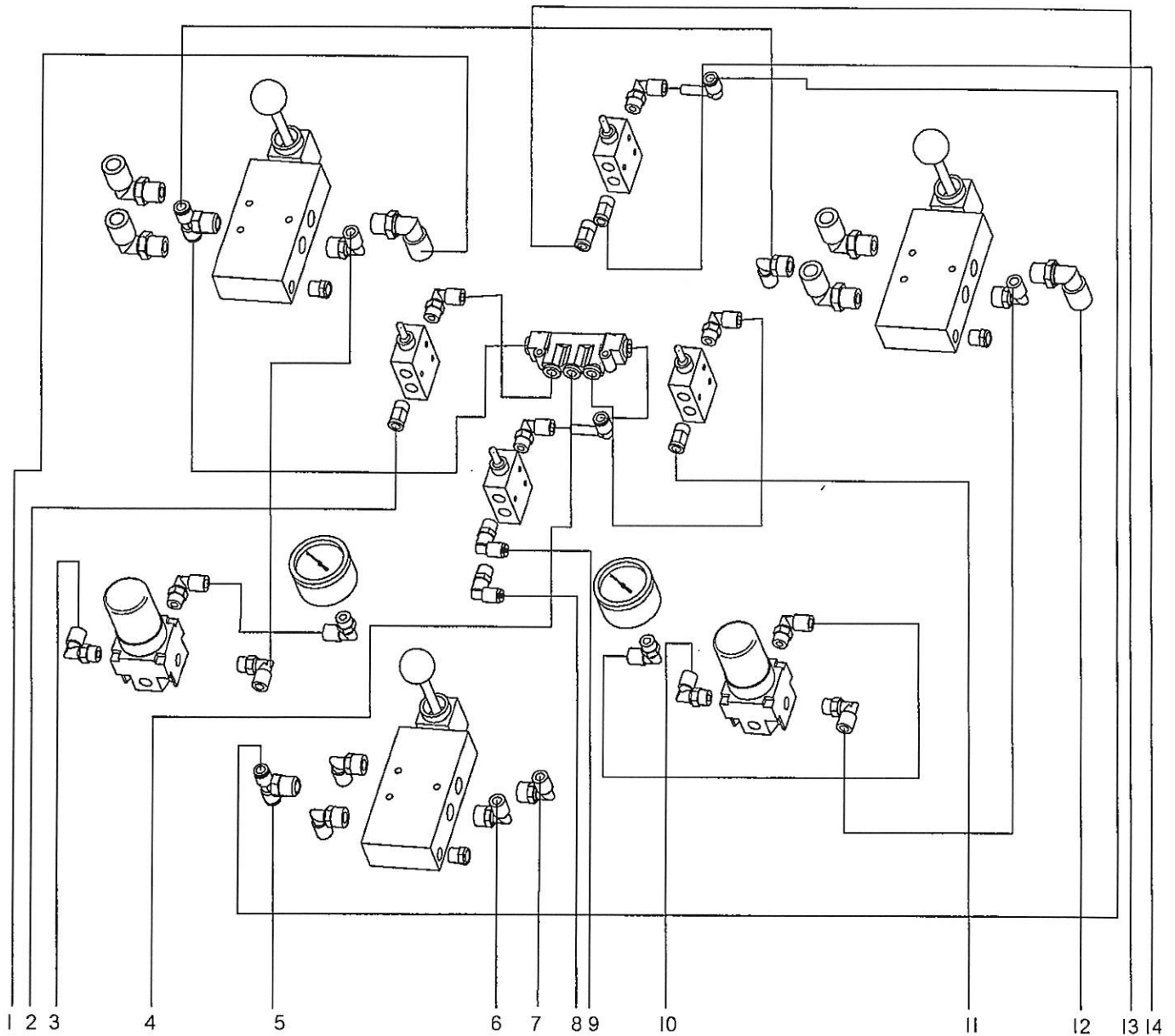
FNG814300-13

AIR LINE SCHEMATIC

Item Number	File Name	Quantity	Description
1	060102VAL.par	3	3 WAY POSITION VALVE
2	06095VAL.par	4	TOGGLE SWITCH
3	0810IREG.par	2	REGULATOR 0-125 MAX PSI. 1/8" PORTS
4	09022GAU.par	2	GAUGE 0-60 1/8" MPT
5	1001BRV.par	3	1/8" BREATHER VENT
6	17420IRPT.par	3	KNOB
7	20280FIT.par	1	1/4" BLOCK MANIFOLD
8	2041FIT.par	2	1/4" BRANCH T
9	2050FIT.par	12	1/4" TO 1/8" 90 DEG. FITTING
10	2051FIT.par	7	1/4" TO 1/4" 90 DEG. FITTING
11	2053FIT.par	6	3/8" TO 1/4" MALE 90
12	20580FIT.par	2	1/4" PLUG IN ELBOW
13	2066FIT.par	4	1/4" TO 1/8" MALE CONNECTOR
14	20751FIT.par	2	1/8" X 1/8" 90 DEG. SWIVEL

FNG814300-13

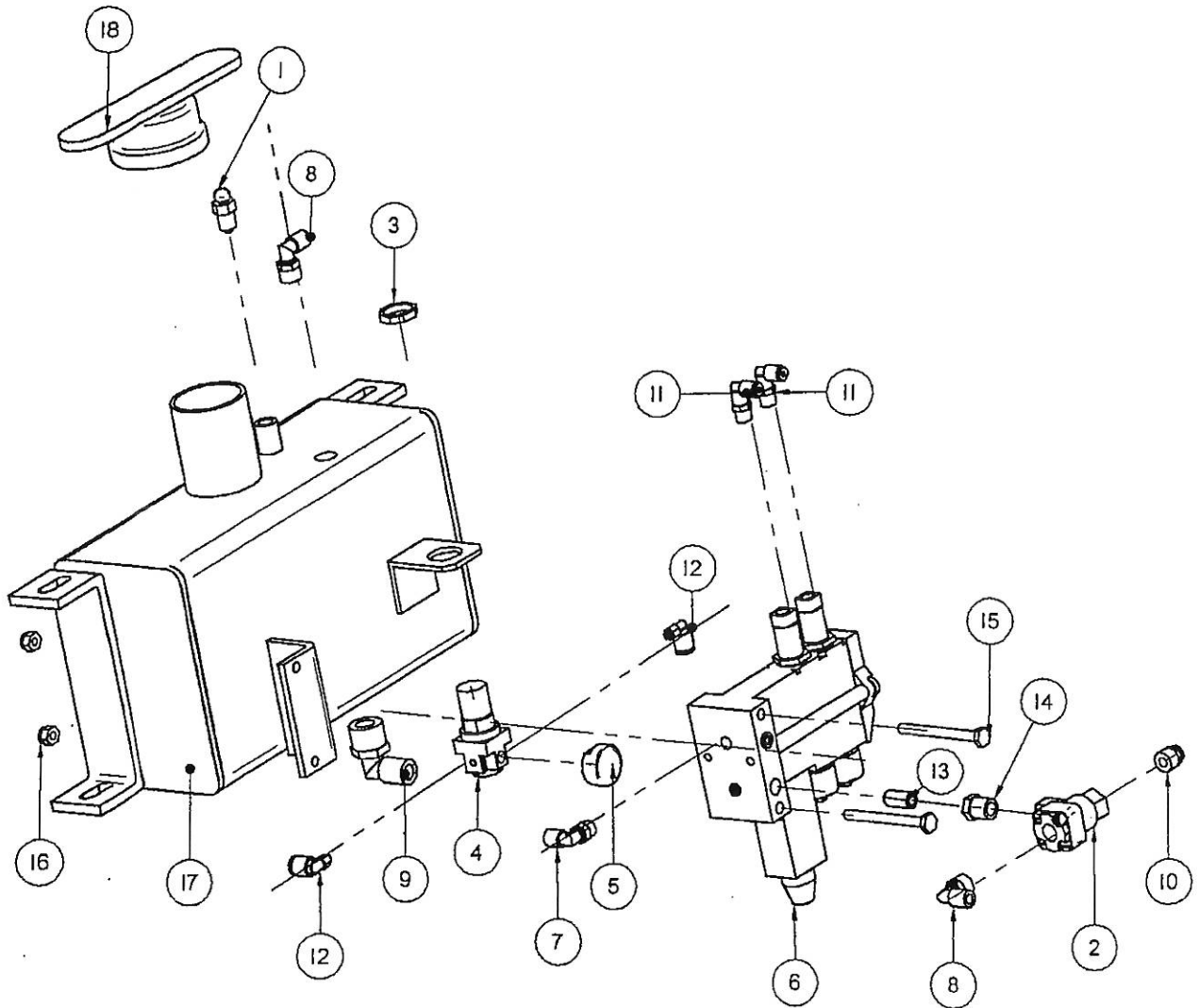
AIR LINE SCHEMATIC



- 1. TO 05141CYL FEED CYLINDER OUT
- 2. TO 08113REG REGULATOR
- 3. TO 05141CYL FEED CYLINDER IN
- 4. TO 08103REG AIR REGULATOR IN
- 5. TO AIR MANIFOLD
- 6. TO 052080CYL RAISE AND LOWER CYLINDER (RAISE)
- 7. TO 052080CYL RAISE AND LOWER CYLINDER (LOWER)
- 8. TO 05040CYL BRAKE CYLINDER IN
- 9. TO 05040CYL BRAKE CYLINDER OUT
- 10. TO 05141CYL FEED CYLINDER IN
- 11. TO 08113REG REGULATOR
- 12. TO 05141CYL FEED CYLINDER OUT
- 13. TO 050511CYL AUTO ALIGN CYLINDER IN
- 14. TO 050511CYL AUTO ALIGN CYLINDER OUT

FNG814300-13

OIL TANK ASSEMBLY



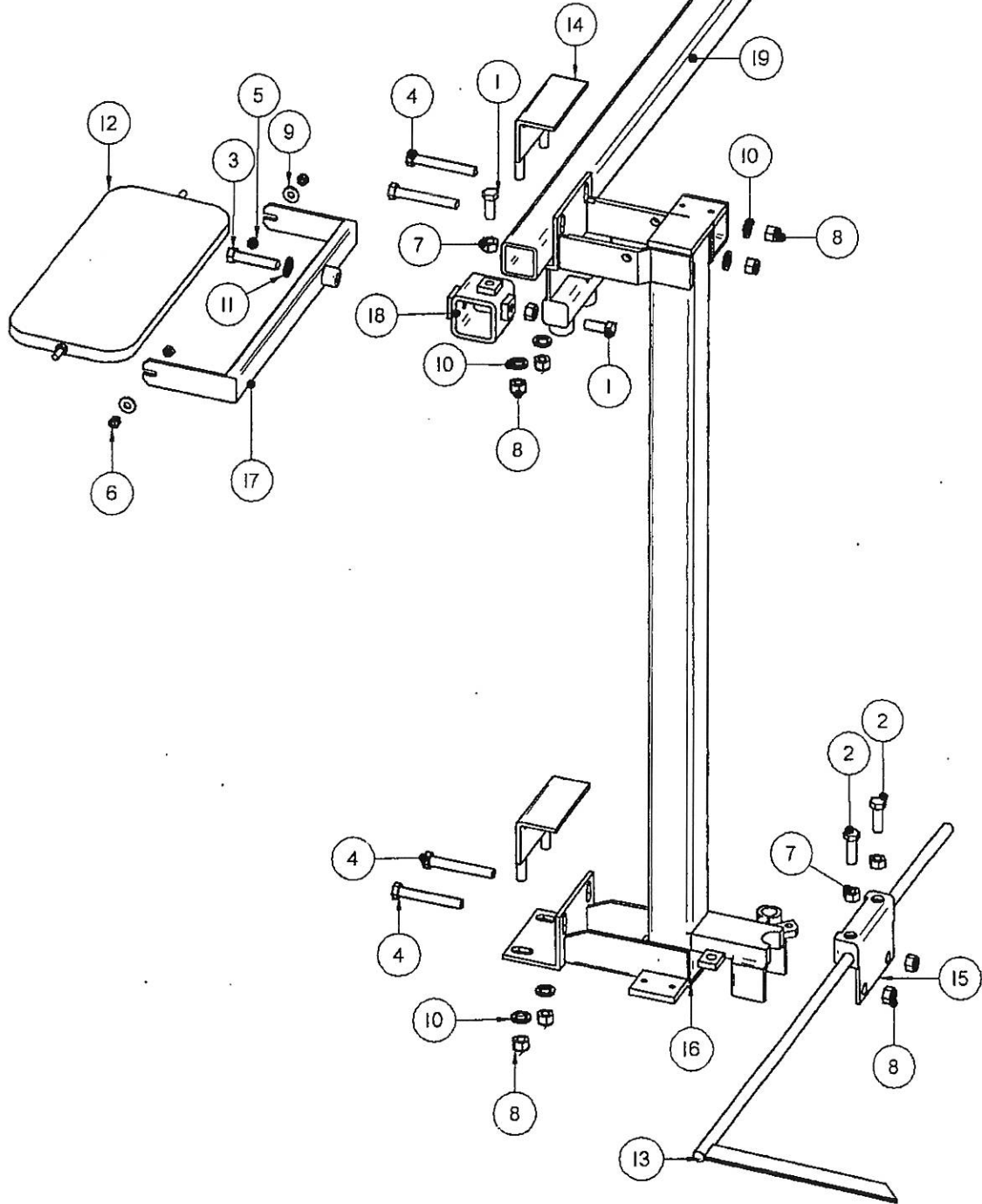
FNG814300-14

OIL TANK ASSEMBLY

Item Number	File Name	Quantity	Description
1	06055VAL.par	1	BUTTON BLEEDER VALVE
2	06140VAL.par	1	SHUTTLE VALVE
3	08108REG.par	1	LOCK RING FOR 08108REG
4	08108REG.par	1	REGULATOR WITH 0-125 MAX PSI
5	09024GAU.par	1	GAUGE 0-150 MAX PSI
6	160710IL.par	1	2 BANK OILER
7	2050FIT.par	1	1/4" TO 1/8" 90 DEG. FITTING
8	2051FIT.par	2	1/4" TO 1/4" 90 DEG. FITTING
9	2055FIT.par	1	3/8" TO 1/2" 90 DEG. FITTING
10	2067FIT.par	1	1/4" TO 1/4" MALE CONNECTOR
11	2075IFIT.par	2	1/8" X 1/8" 90 DEG. SWIVEL
12	20754FIT.par	2	1/4" to 10/32" 90 DEG. FITTING
13	2105PFT.par	1	1/8" CLOSE NIPPLE
14	21390PFT.par	1	1/4" TO 1/8" REDUCER
15	2509BLT.par	2	1/4" X 2 1/2" BOLT
16	2716NUT.par	2	1/4" NYLON LOCK NUT
17	SRS16264.par	1	OIL TANK
18	SRS1648.par	1	OIL TANK CAP

FNG814300-14

HOLE SPACEING GUIDE WITH MIRROR ASSEMBLY (OPTIONAL)



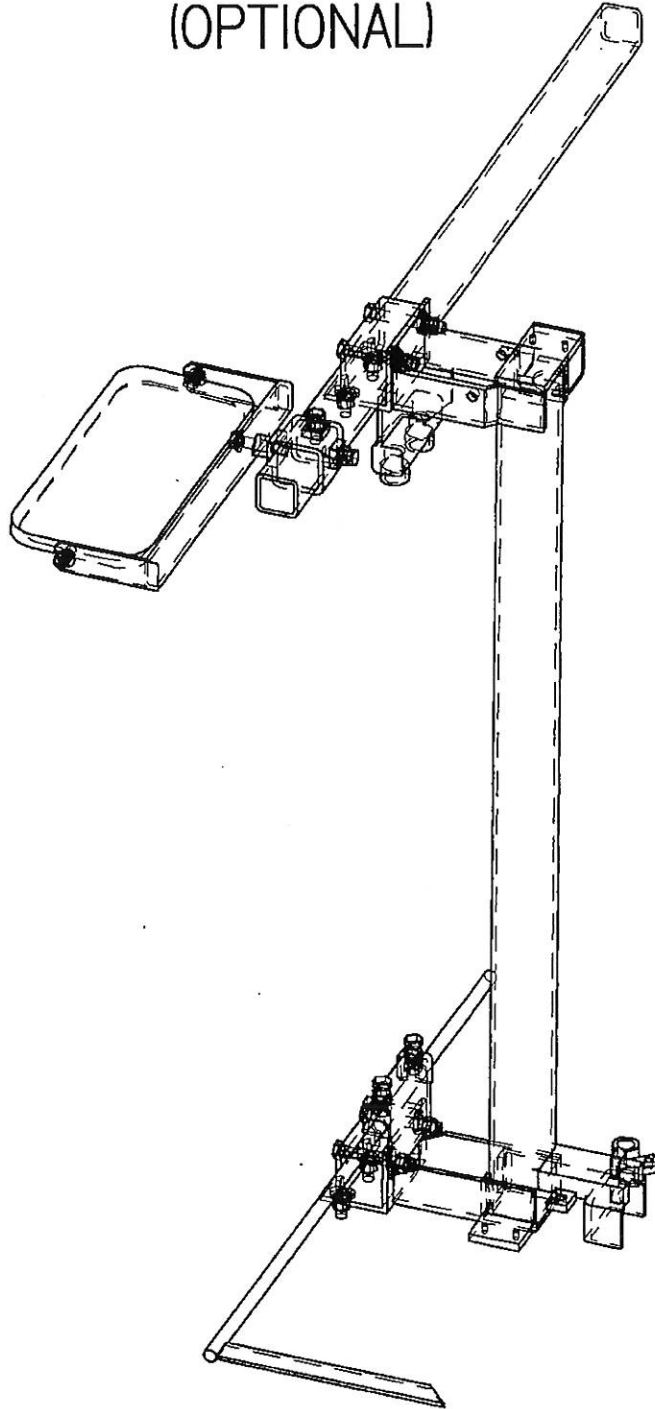
FNG814300-15

HOLE SPACEING GUIDE WITH MIRROR ASSEMBLY (OPTIONAL)

Item Number	File Name	Quantity	Description
1	2560BLT.par	2	1/2" X 1 1/4" BOLT
2	2562BLT.par	2	1/2" X 1 1/2" BOLT
3	2564BLT.par	1	1/2" X 2 1/2" BOLT
4	2568BLT.par	4	1/2" X 3 1/2" BOLT
5	2717NUT.par	2	5/16" STANDARD NUT
6	2719NUT.par	2	5/16" NYLON LOCK NUT
7	2732NUT.par	4	1/2" STANDARD NUT
8	2734NUT.par	8	1/2" LOCKNUT
9	2800WAS.par	2	5/16" FLAT WASHER
10	2831WAS.par	6	7/8"OD X 1/2"ID WASHER 10GA.
11	2832WAS.par	1	1/2" WASHER
12	9008MIS.par	1	MIRROR
13	MFA0635.par	1	POINTER
14	MFA06420.par	2	2" FEED BAR CLAMP
15	MFA0654.par	1	HOLE SPACING BRACKET
16	SRSI6334.par	1	FEED BAR
17	SRSI668.par	1	MIRROR BRACKET
18	SRSI6737.par	1	MIRROR BRACKET NO GUIDE WHEELS
19	SRUI318.par	1	OUTSIDE TOOL BAR

FNG814300-15

HOLE SPACEING GUIDE WITH
MIRROR ASSEMBLY
(OPTIONAL)



FNG814300-15

ON GRADE CONVERSION KIT

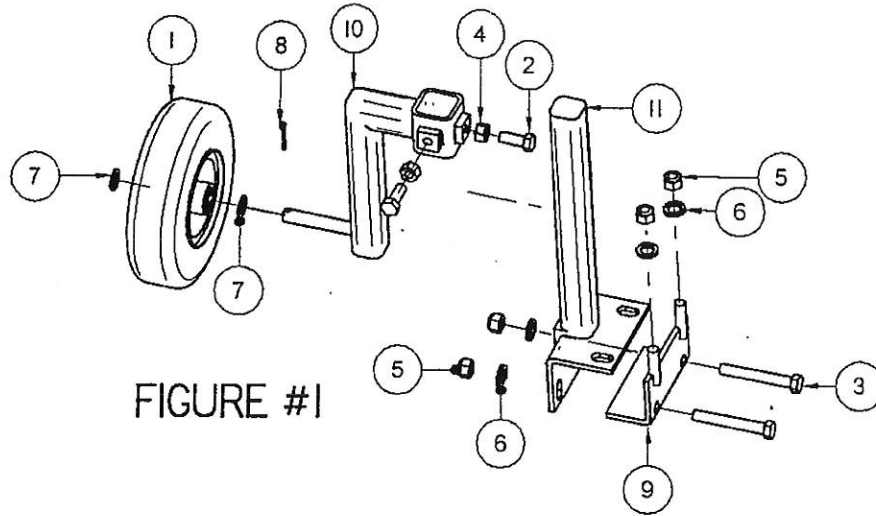


FIGURE #1

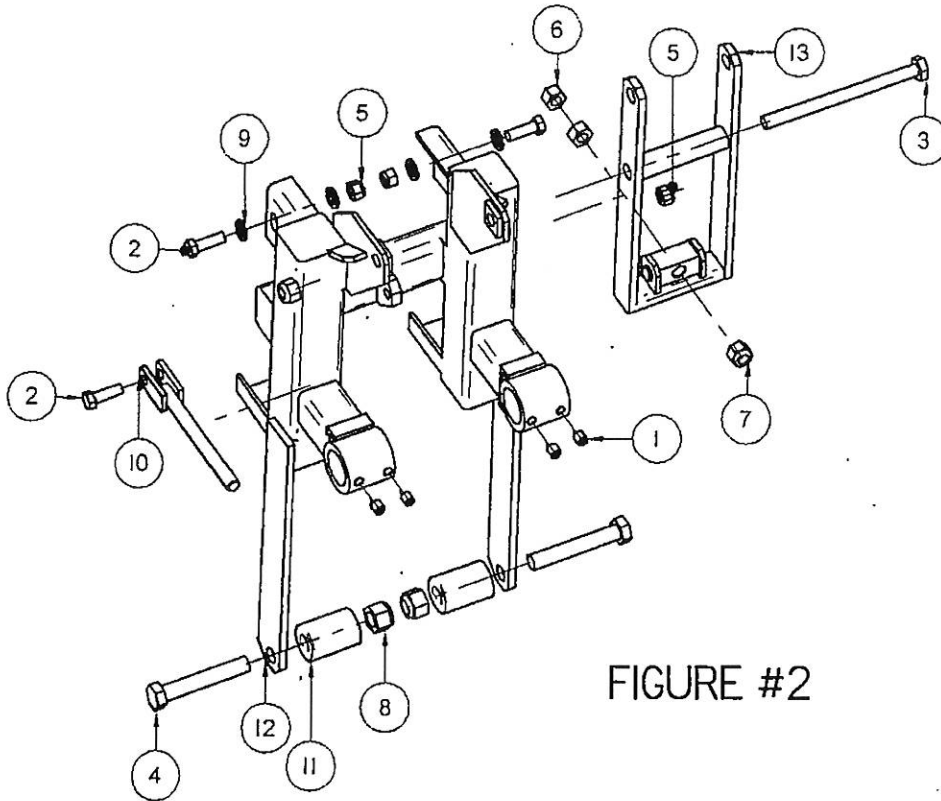


FIGURE #2

FNG814300-16

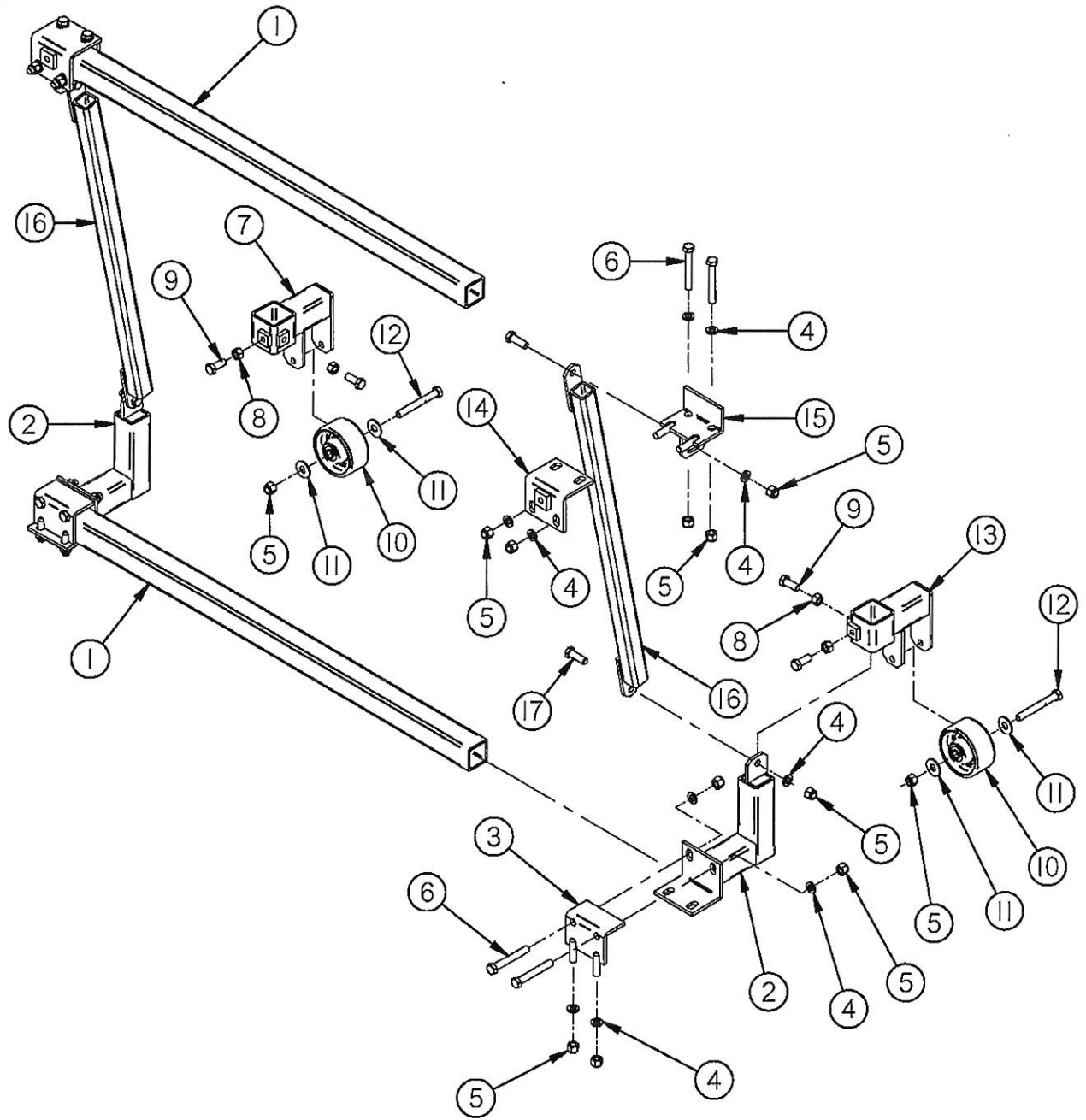
ON GRADE CONVERSION KIT

Item Number	File Name	Quantity	Description
1	0201WHL.par	1	8" WHEEL WITH 5/8" BORE
2	2560BLT.par	2	1/2" X 1 1/4" BOLT
3	2568BLT.par	2	1/2" X 3 1/2" BOLT
4	2732NUT.par	2	1/2" STANDARD NUT
5	2734NUT.par	4	1/2" LOCKNUT
6	2831WAS.par	4	7/8"OD X 1/2"ID WASHER 10GA.
7	2840WAS.par	2	5/8" 14GA. WASHER
8	3022IPIN.par	1	1/8" X 1 1/4" COTTER PIN
9	MFA06420.par	1	2" FEED BAR CLAMP
10	SRUI3351.par	1	SPINDLE ADJUSTER
11	SRUI3361.par	1	SPINDLE ADJUSTER MOUNTING BRACKET

Item Number	File Name	Quantity	Description
1	25590BLT.par	4	1/2" X 1/2" 13 SET SCREW
2	2562BLT.par	3	1/2" X 1 1/2" BOLT
3	2590BLT.par	1	5/8" X 8" BOLT
4	259907BLT.par	2	3/4" X 2 1/2" BOLT
5	2734NUT.par	3	1/2" LOCKNUT
6	2742NUT.par	2	5/8" LOCKNUT
7	2743NUT.par	2	5/8" NYLON LOCK NUT
8	2749NUT.par	2	3/4" NYLON LOCK NUT
9	2831WAS.par	4	7/8"OD X 1/2"ID WASHER 10GA.
10	SRS1661.par	1	ADJUSTABLE CLEVIS
11	SRS16620.par	2	BUSHING
12	SRUI3480.par	1	ON GRADE CONVERSION MAST
13	SRUI3490.asm	1	AUTO ALIGN PIVOT ON GRADE CONVERSION

FNG814300-16

GUIDE WHEEL ASSEMBLY MODEL 210B-2SRA



03-05-12

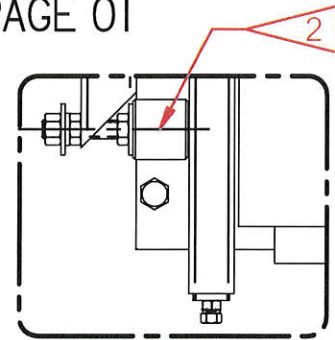
FNG 9504

GUIDE WHEEL ASSEMBLY MODEL 210B-2SRA

Item No.	Part No.	Quantity	Description
1	SRUI318	2	OUTSIDE TOOL BAR (2.0" SQ.)
2	SRSI6738	2	GUIDE BRKT. MOUNT (CLAMP-ON)
3	SRSI6738I	2	2" TOOL BAR CLAMP (4" WIDE)
4	283IWAS	20	7/8"OD X 1/2"ID WASHER 10GA.
5	2734NUT	22	1/2" NC NYLON INSERT LOCKNUT
6	2568 BLT	8	1/2" NC X 3.50" HX HD BOLT
7	SRSI673	1	GUIDE WHEEL MT. - RIGHT
8	2732 NUT	4	1/2" NC STANDARD NUT
9	2560BLT	4	1/2" NC X 1.25" HX HD BOLT
10	0214 WHL	2	4 X 2 STEEL GUIDE WHEEL
11	2830 WAS	4	1/2" STD. FLAT WASHER
12	25706 BLT	2	GREASE BOLT, 1/2 NC X 4.0" LG.
13	SRSI67300	1	GUIDE WHEEL MT. - LEFT
14	SRSI668I	2	MIRROR MT. (2" TOOL BAR)
15	SRSI669I	2	MIRROR BRKT. CLAMP 2" TOOL BAR (4" WIDE)
16	SRSI6730	2	GUIDE WHEEL SUPPORT ARM
17	2562 BLT	4	1/2" NC X 1.50" HX HD TAP BOLT

210B-2SRA QMP VACUUM SYSTEM ASSEMBLY - PAGE 01

1 ADJUST MFA069938Q (#8)
TO BUCKET HEIGHT

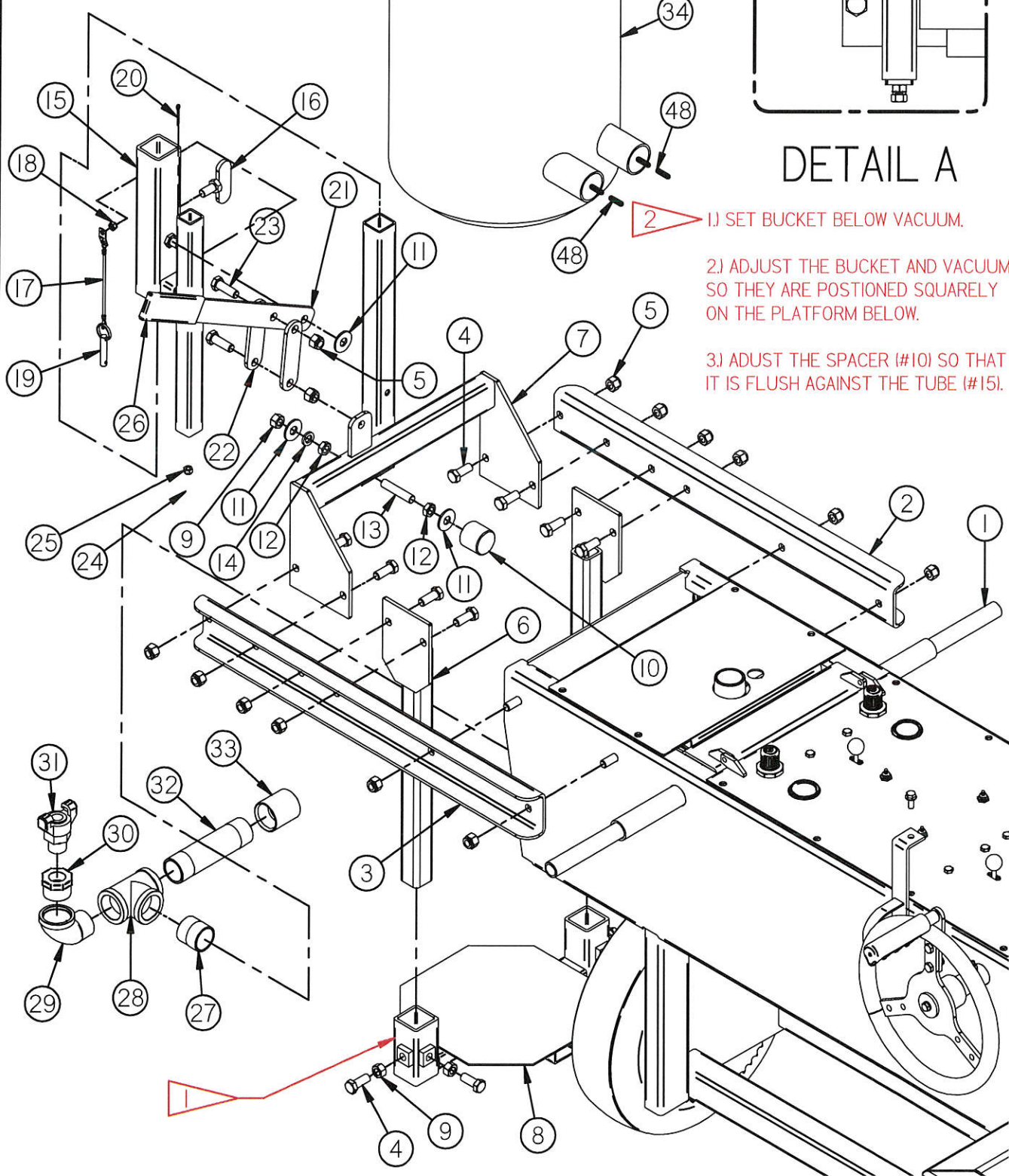


DETAIL A

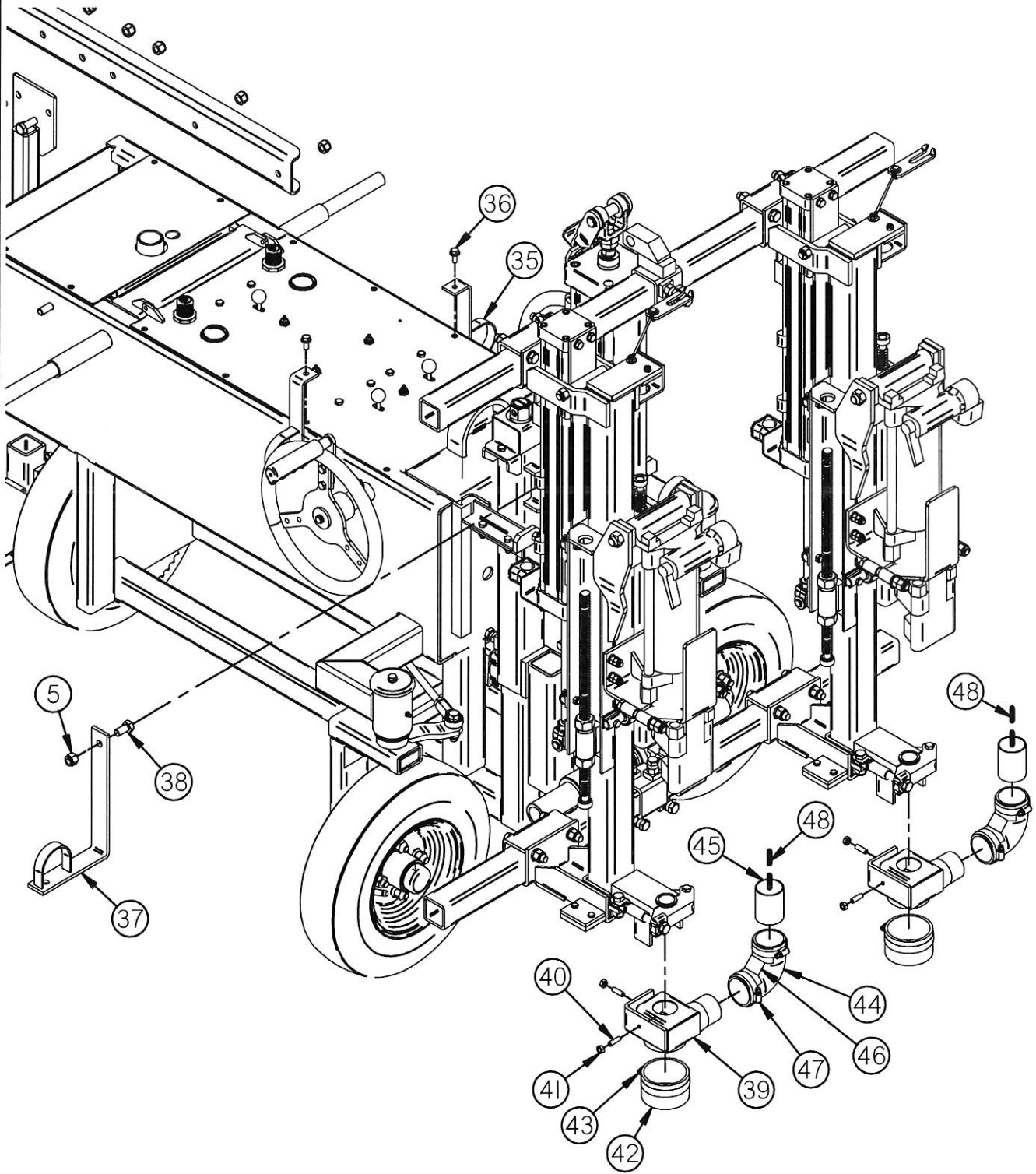
2 1) SET BUCKET BELOW VACUUM.

2) ADJUST THE BUCKET AND VACUUM
SO THEY ARE POSITIONED SQUARELY
ON THE PLATFORM BELOW.

3) ADJUST THE SPACER (#10) SO THAT
IT IS FLUSH AGAINST THE TUBE (#15).



210B-2SRA QMP VACUUM SYSTEM ASSEMBLY - PAGE 02



210B-2SRA QMP VACUUM SYSTEM ASSEMBLY - PAGE 03

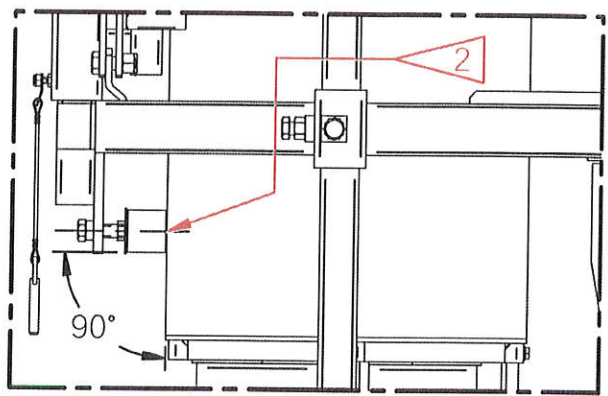
Item No.	Part No.	Quantity	Description
1	FNG814300	1	210B-2 SRA (2-GANG DRILL)
2	MFA069934Q_01	1	MOD 210B-2 SRA LEFT ARM (QMP)
3	MFA069935Q_01	1	MOD 210B-2 SRA RIGHT ARM (QMP)
4	2560BLT	16	1/2" NC X 1.25" HX HD BOLT
5	2734NUT	16	1/2" NC NYLON INSERT LOCKNUT
6	MFA069936Q	2	210B-2 SRA QMP VAC SYSTEM LEG
7	MFA069937Q	1	QMP SLIDE RECEIVER
8	MFA069938Q	1	210B-2 SRA QMP VAC SYSTEM MT. PLT.
9	2732 NUT	5	1/2" NC STANDARD NUT
10	MFA06997Q	1	NYLON SPACER, QMP VAC SYSTEM
11	2830 WAS	3	1/2" STD. FLAT WASHER
12	27696 NUT	2	1/2" NF HEX JAM NUT (RT. HND.)
13	2564I BLT	1	1/2"-13 X 2.50" FULLY THREADED STUD
14	2831WAS	1	7/8" OD X 1/2" ID WASHER 10GA.
15	MFA069933Q	1	QMP VAC ADAPTER - (MOD 210B-2 SRA)
16	MFA069903	1	SET SCREW - DUST COLLECTION
17	3031PIN	1	LANYARD W/TAB ONE END
18	2716NUT	1	1/4" NC NYLON LOCK NUT
19	3029PIN	1	LOCK PIN
20	30221 PIN	1	1/8" X 1-1/4" COTTER PIN
21	MFA0699040	1	RAISE/LOWER LEVER - MACRO DUST COLLECTION
22	MFA069906	2	FRAME CLAMP LONG
23	2562 BLT	2	1/2" NC X 1.50" HX HD TAP BOLT
24	MFA0699700Q	1	QMP 2-PORT COLLECTOR MOUNTING BOLT
25	2719 NUT	1	5/16" NC NYLON INSERT LOCKNUT
26	18206GRO	1	LEVER GRIP
27	212701 PFT	1	1-1/4" CLOSE NIPPLE
28	2104 PFT	1	1-1/4" PIPE TEE
29	21600 PFT	1	1-1/4" STREET ELL
30	20780 PFT	1	1-1/4" TO 3/4" BUSHING
31	2006FIT	1	3/4" MALE PIPE TO QUICK COUPLER
32	21276 PFT	1	1-1/4" X 6" NIPPLE
33	21475 PFT	1	FULL COUPLING, 1-1/4NPT (STEEL)
34	9695IQ MIS	1	MACRO QMP VACUUM
35	MFA06994	2	SMALL HOSE HOLDER (210B-2 SRA)

210B-2SRA QMP VACUUM SYSTEM ASSEMBLY - PAGE 04

Item No.	Part No.	Quantity	Description
36	25175 BLT	2	5/16 NC X .75" LG. HEX FLG HEAD BOLT
37	MFA06995	2	LARGE HOSE HOLDER (210B-2 SRA)
38	2559BLT	2	1/2" X 1" BOLT
39	MFA069913	2	DUST COLLECTOR HEAD
40	2521 BLT	4	5/16-18 X 1" SET SCREW
41	2717 NUT	4	5/16 UNC HEX NUT (ZP, GR. 5)
42	190406 HOS	2	3" COLLECTOR HOSE (2" LONG PIECE)
43	19503 CLP	2	WORM GEAR HOSE CLAMP (3 - 4")
44	19045 HOS	2	2" 90 DEG. SILICONE HOSE COUPLER
45	MFA069910_12	2	DUST HEAD ROUND TUBE
46	MFA069914	2	90 DEG. ELBOW CLAMP
47	195025 CLP	4	WORM GEAR HOSE CLAMP (1-1/2" - 2-1/2")
48'	19255 HOS	2	2" VACUUM HOSE

210B-2SRA VACUUM SYSTEM ASSEMBLY - PAGE 01

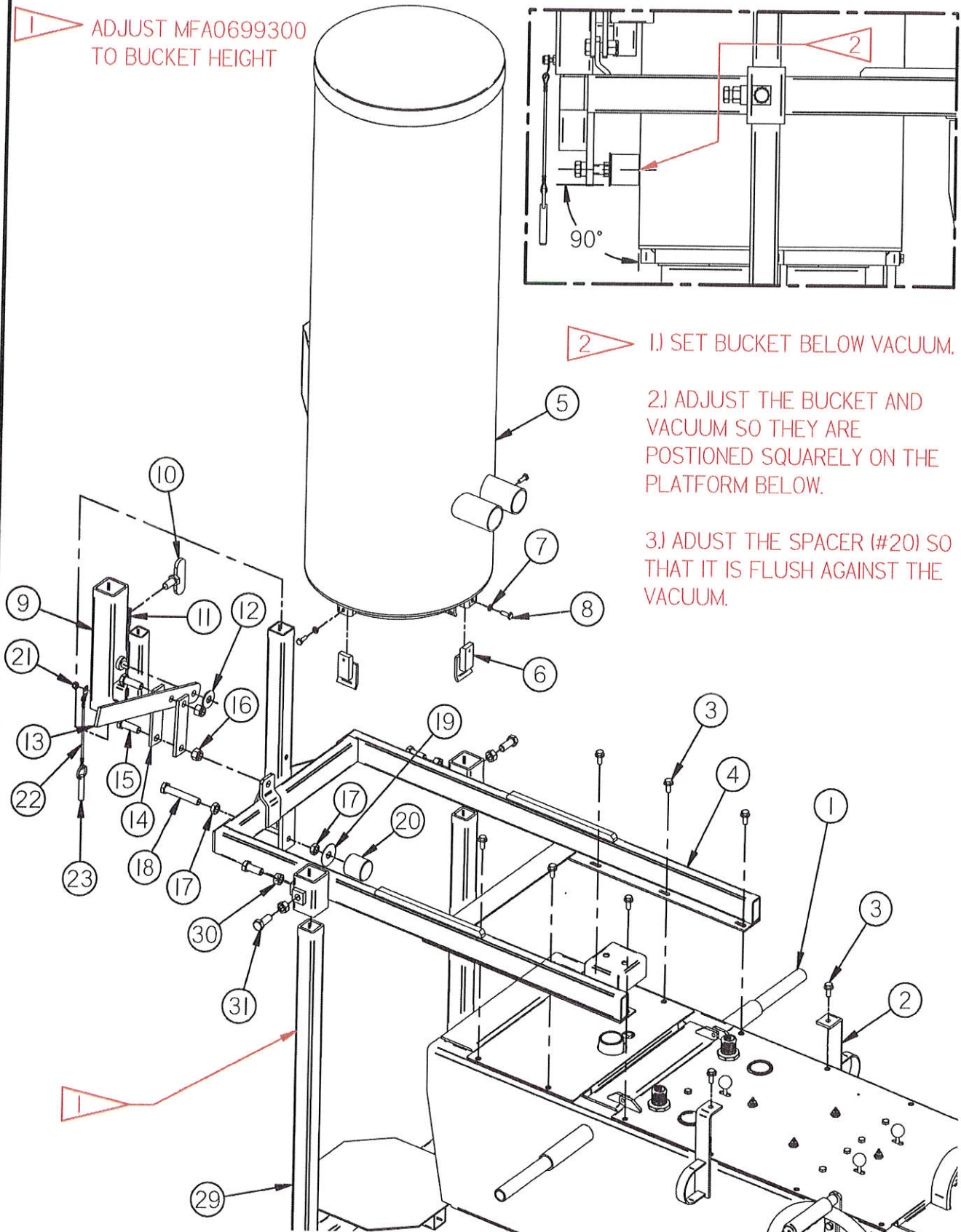
1 ADJUST MFA0699300 TO BUCKET HEIGHT



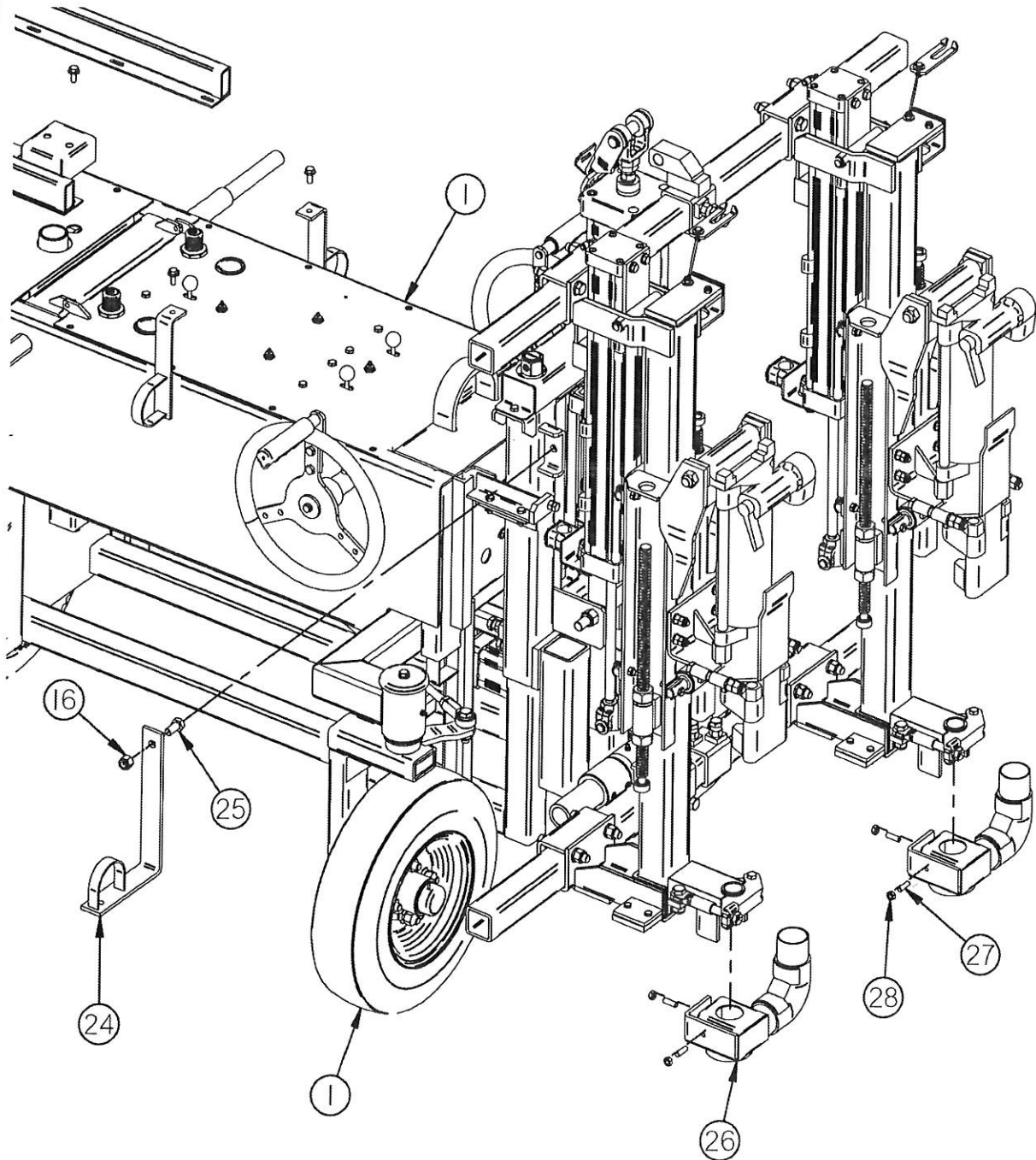
2 1) SET BUCKET BELOW VACUUM.

2) ADJUST THE BUCKET AND VACUUM SO THEY ARE POSITIONED SQUARELY ON THE PLATFORM BELOW.

3) ADJUST THE SPACER (#20) SO THAT IT IS FLUSH AGAINST THE VACUUM.



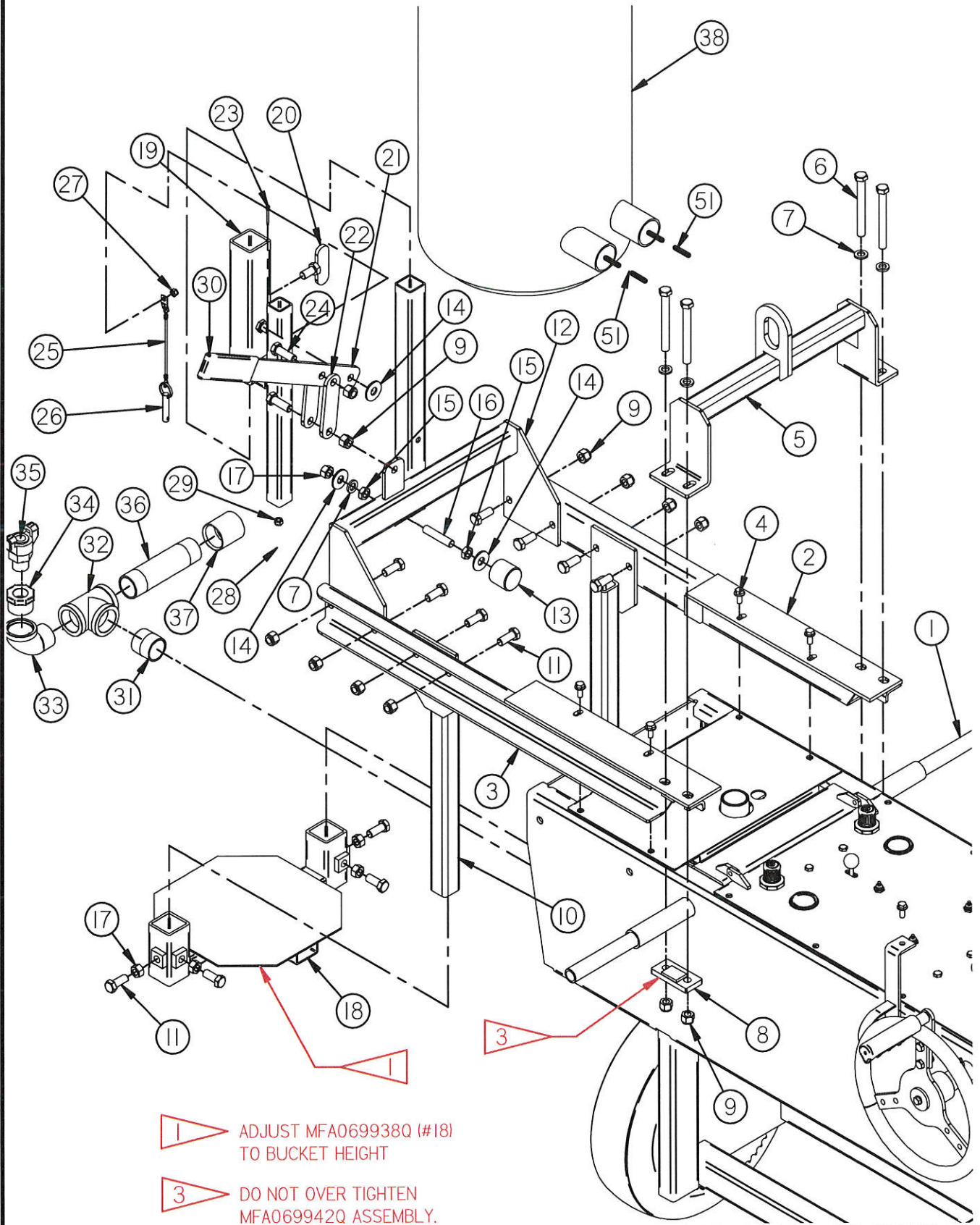
210B-2SRA VACUUM SYSTEM ASSEMBLY - PAGE 02



210B-2SRA VACUUM SYSTEM ASSEMBLY - PAGE 03

Item No.	Part No.	Quantity	Description
1	FNG814300	1	210B-2 SRA (2-GANG DRILL)
2	MFA06994	2	SMALL HOSE HOLDER (210B-2 SRA)
3	25175 BLT	8	5/16 NC X .75" LG. HEX FLG HEAD BOLT
4	MFA069930	1	DUST COLLECTION FRAME (MOD 210B-2 SRA)
5	9695IMIS	1	MACRO VACUUM
6	9695IMIS_SUB01	3	BASE WLDMNT ASSY.
7	2802 WAS	3	1/4" LOCK WASHER
8	2501BLT	3	1/4" NC X .75" HX HD BOLT
9	MFA069933	1	ADAPTER - DUST COLLECTION (MOD 210B-2 SRA)
10	MFA069903	1	SET SCREW - DUST COLLECTION
11	30221 PIN	1	1/8" X 1-1/4" COTTER PIN
12	2830 WAS	1	1/2" STD. FLAT WASHER
13	MFA069904	1	RAISE/LOWER LEVER - DUST COLLECTION
14	MFA069906	2	FRAME CLAMP LONG
15	2562 BLT	2	1/2" NC X 1.50" HX HD TAP BOLT
16	2734NUT	4	1/2" NC NYLON INSERT LOCKNUT
17	27695 NUT	2	1/2" UNC HEX JAM NUT (RT. HND.)
18	256705 BLT	1	1/2" NC X 3.00" TAP BOLT
19	28300 WAS	1	1/2" X 1-3/4" WASHER
20	MFA06997	1	NYLON SPACER
21	2716NUT	1	1/4" NC NYLON LOCK NUT
22	3031PIN	1	LANYARD W/TAB ONE END
23	3029PIN	1	LOCK PIN
24	MFA06995	2	LARGE HOSE HOLDER (210B-2 SRA)
25	2559BLT	2	1/2" X 1" BOLT
26	MFA069910	2	DUST COLLECTOR HEAD
27	2521 BLT	4	5/16-18 X 1" SET SCREW
28	2717 NUT	4	5/16 UNC HEX NUT (ZP, GR. 5)
29	MFA0699300	1	BOTTOM MOUNT FRAME (MOD 210B-2 SRA)
30	2732 NUT	4	1/2" NC STANDARD NUT
31	2560BLT	4	1/2" NC X 1.25" HX HD BOLT

RETROFIT 210B-2SRA QMP VACUUM SYSTEM ASSEMBLY - PAGE 01

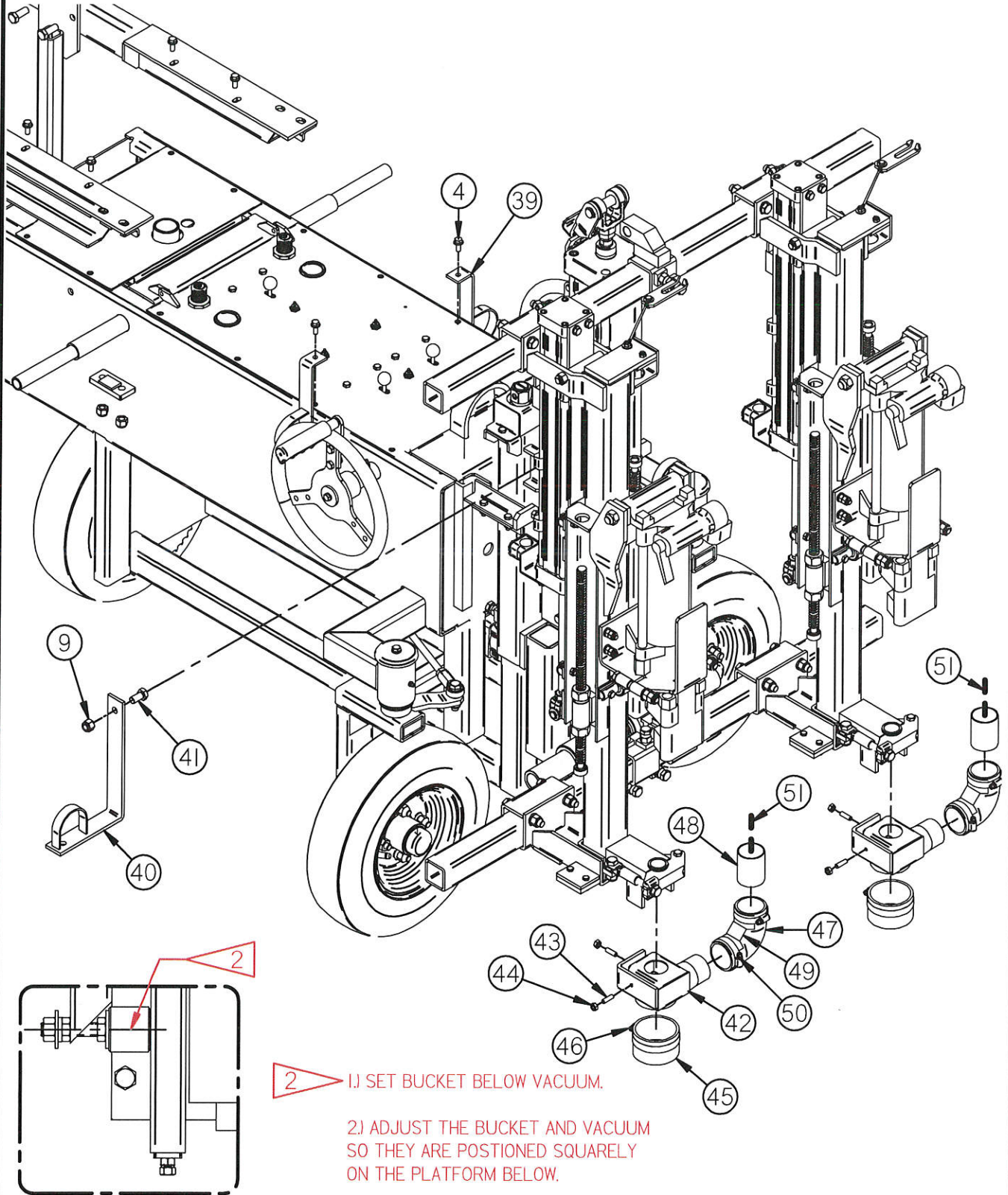


1 ADJUST MFA069938Q (#18) TO BUCKET HEIGHT

3 DO NOT OVER TIGHTEN MFA069942Q ASSEMBLY.

96961Q-1 MIS ASSEMBLY

RETROFIT 210B-2SRA QMP VACUUM SYSTEM ASSEMBLY - PAGE 02



2 1.) SET BUCKET BELOW VACUUM.

2.) ADJUST THE BUCKET AND VACUUM SO THEY ARE POSITIONED SQUARELY ON THE PLATFORM BELOW.

3.) ADJUST THE SPACER (#13) SO THAT IT IS FLUSH AGAINST THE TUBE (#19).

DETAIL A

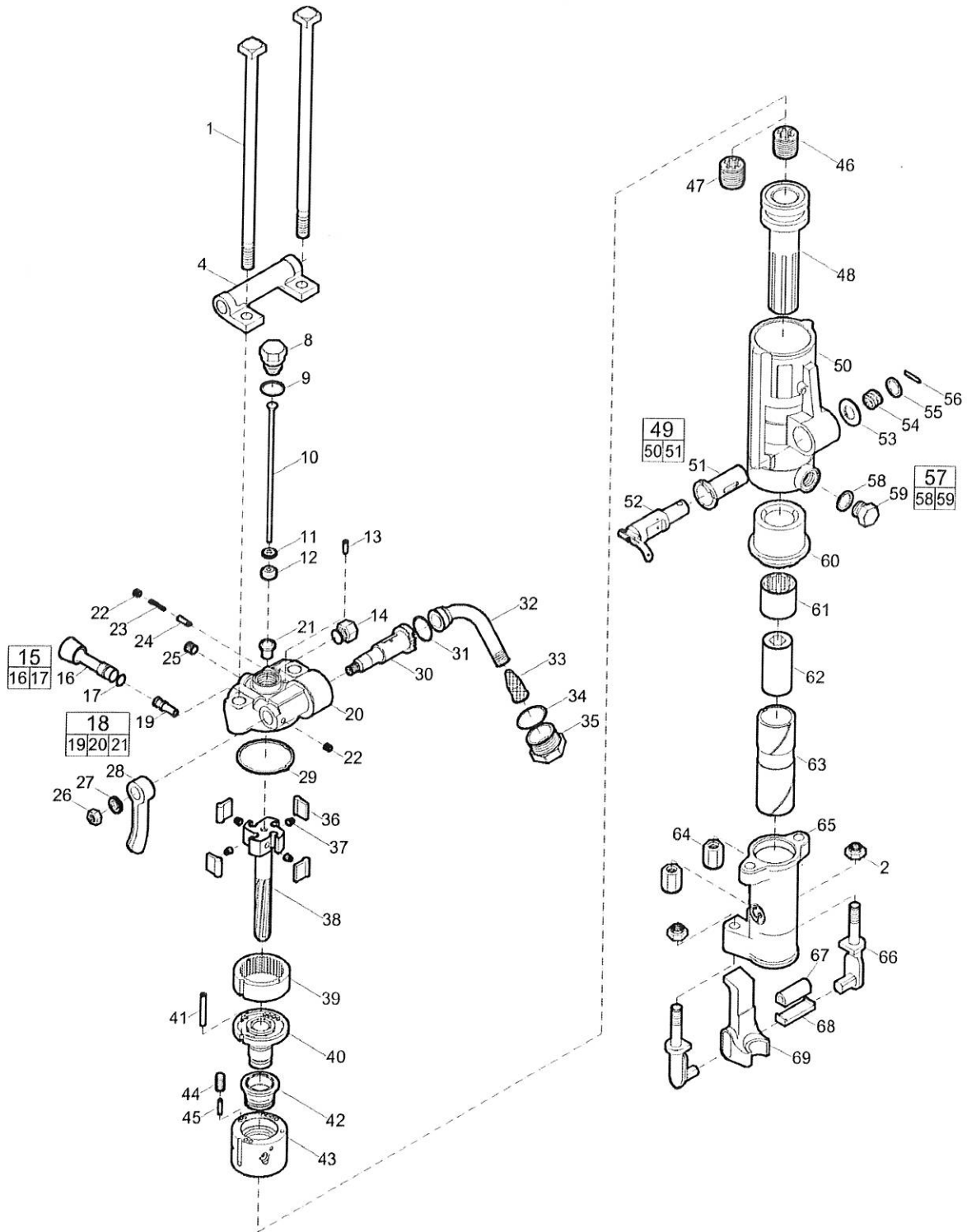
RETROFIT 210B-2SRA QMP VACUUM SYSTEM ASSEMBLY - PAGE 03

Item No.	Part No.	Quantity	Description
1	FNG814300	1	210B-2 SRA (2-GANG DRILL)
2	MFA069940Q	1	RETROFIT 210B-2 SRA LEFT ARM
3	MFA069939Q	1	RETROFIT 210B-2 SRA RIGHT ARM
4	25175 BLT	6	5/16 NC X .75" LG. HEX FLG HEAD BOLT
5	MFA069941Q	1	210B-2 SRA RETROFIT LIFTING BALE
6	2572BLT	4	1/2" NC X 4 1/2" BOLT, GR. 5
7	2831WAS	5	7/8" OD X 1/2" ID WASHER 10GA.
8	MFA069942Q	2	210B-2 SRA RETROFIT BOLT PLATE
9	2734NUT	16	1/2" NC NYLON INSERT LOCKNUT
10	MFA069936Q	2	210B-2 SRA QMP VAC SYSTEM LEG
11	2560BLT	12	1/2" NC X 1.25" HX HD BOLT
12	MFA069937Q	1	QMP SLIDE RECEIVER
13	MFA06997Q	1	NYLON SPACER, QMP VAC SYSTEM
14	2830 WAS	3	1/2" STD. FLAT WASHER
15	27696 NUT	2	1/2" NF HEX JAM NUT (RT. HND.)
16	25641 BLT	1	1/2"-13 X 2.50" FULLY THREADED STUD
17	2732 NUT	5	1/2" NC STANDARD NUT
18	MFA069938Q	1	210B-2 SRA QMP VAC SYSTEM MT. PLT.
19	MFA069933Q	1	QMP VAC ADAPTER - (MOD 210B-2 SRA)
20	MFA069903	1	SET SCREW - DUST COLLECTION
21	MFA0699040	1	RAISE/LOWER LEVER - MACRO DUST COLLECTION
22	MFA069906	2	FRAME CLAMP LONG
23	30221 PIN	1	1/8" X 1-1/4" COTTER PIN
24	2562 BLT	2	1/2" NC X 1.50" HX HD TAP BOLT
25	3031PIN	1	LANYARD W/TAB ONE END
26	3029PIN	1	LOCK PIN

RETROFIT 210B-2SRA QMP VACUUM SYSTEM ASSEMBLY - PAGE 04

Item No.	Part No.	Quantity	Description
27	2716NUT	1	1/4" NC NYLON LOCK NUT
28	MFA0699700Q	1	QMP 2-PORT COLLECTOR MOUNTING BOLT
29	2719 NUT	1	5/16" NC NYLON INSERT LOCKNUT
30	18206GR0	1	LEVER GRIP
31	212701 PFT	1	1-1/4" CLOSE NIPPLE
32	2104 PFT	1	1-1/4" PIPE TEE
33	21600 PFT	1	1-1/4" STREET ELL
34	20780 PFT	1	1-1/4" TO 3/4" BUSHING
35	2006FIT	1	3/4" MALE PIPE TO QUICK COUPLER
36	21276 PFT	1	1-1/4" X 6" NIPPLE
37	21475 PFT	1	FULL COUPLING, 1-1/4NPT (STEEL)
38	96951Q MIS	1	MACRO QMP VACUUM
39	MFA06994	2	SMALL HOSE HOLDER (210B-2 SRA)
40	MFA06995	2	LARGE HOSE HOLDER (210B-2 SRA)
41	2559BLT	2	1/2" X 1" BOLT
42	MFA069913	2	DUST COLLECTOR HEAD
43	2521 BLT	4	5/16-18 X 1" SET SCREW
44	2717 NUT	4	5/16 UNC HEX NUT (ZP, GR. 5)
45	190406 HOS	2	3" COLLECTOR HOSE (2" LONG PIECE)
46	19503 CLP	2	WORM GEAR HOSE CLAMP (3 - 4")
47	19045 HOS	2	2" 90 DEG. SILICONE HOSE COUPLER
48	MFA069910_I12	2	DUST HEAD ROUND TUBE
49	MFA069914	2	90 DEG. ELBOW CLAMP
50	195025 CLP	4	WORM GEAR HOSE CLAMP (1-1/2" - 2-1/2")
51*	19255 HOS	2	2" VACUUM HOSE

Spare parts list CP 0032 A 7/8" x 3 1/4"



Refer to the Parts Online web page for most up-to-date information. The printed information might be outdated.

Item	Part No.	Name	Qty	L
1	R086623	Bolt - Thru	2	
2	R005742	Nut - Elastic stop	Z	A
4	R086608	Bracket - Handle	1	
8	R076793	Plug - Air tube	1	
9	R000537	Gasket - Tube plug	2	
10	R077184	Tube - Air	1	
11	R075449	Washer - Air tube	1	
12	R075099	Rubber - Air tube	1	
13	R075802	Pin - Valve plunger	1	
14	R076372	Plug - Water valve	1	
15	R079130	Water valve port plug, complete	1	
16	-	Water valve port plug	1	
17	C079489	O-ring	1	
18	R087948	Backhead, complete	1	
19	R098054	Bushing - Water valve	1	
20	-	Backhead	1	
21	R137738	Bushing - Blow tube	1	
22	C068064	Plug - Pipe	2	
23	R085671	Spring - Valve plunger	1	
24	R086627	Plunger - Throttle valve	1	
25	C068799	Plug - pipe, Ø 1/4 in., Ø 6.5 mm	1	C
26	P002149	Nut - Hexagon	1	D
27	C036717	Lockwasher - Head latch	1	E
28	R079124	Handle - Throttle valve	1	
29	H0979432	Gasket	1	
30	R086628	Valve - Throttle	1	
31	P103521	O-ring	1	
32	R075265	Swivel - Air inlet	1	
33	R005584	Screen - Air inlet	1	
34	R110317	O-ring	1	
35	R000530	Air swivel nut	1	
36	R075267	Pawl	4	
37	R086654	Spring - Pawl	4	
38	R086622	Bar - Rifle	1	

Refer to the Parts Online web page for most up-to-date information. The printed information might be outdated.

Item	Part No.	Name	Qty	L
39	R076194	Ring - Ratchet	1	
40	R098085	Bushing - Valve guide	1	
41	R075772	Pin - Valve case dowel	1	
42	R076263	Valve	1	
43	R076264	Case - Valve	1	
44	R098084	Plug - Oil regulating	1	
45	R085625	Stem - Oil regulating	1	
46	R075839	Nut - Rifle bar	1	F
47	R075826	Nut - Rifle bar	1	G
48	R000088	Piston	1	
49	R087990	Cylinder, complete	1	
50	--	Cylinder	1	
51	R086611	Bushing - Blower valve	1	
52	R086612	Valve - Blower	1	
53	R075777	Washer - Blower valve	1	
54	R075778	Spring - Blower valve	1	
55	R075780	Washer - Valve spring	1	
56	R076266	Pin - Spring	1	
57	R085611	Oil plug, complete	1	
58	R091176	Gasket - Oil plug	1	
59	--	Oil plug	1	
60	R042161	Bushing - Cylinder	1	
61	R086733	Nut - Chuck rotation	1	
62	R099374	Chuck, 7/8" x 31/4" (22 x 82.5 mm)	1	
63	R041321	Sleeve - Chuck, 7/8" x 31/4" (22 x 82.5 mm)	1	
64	R085756	Nut - Thru bolt	2	
65	R041320	Fronthead, 7/8" x 31/4" (22 x 82.5 mm)	1	
66	R093896	Tunnion - Retainer	2	
67	R093897	Buffer - Retainer	1	
68	R093898	Retainer - Latch shoe	1	
69	R093913	Retainer, 7/8" (22 mm)	1	

Comments for Page: CP 0032 A 1/4" x 3 1/4"

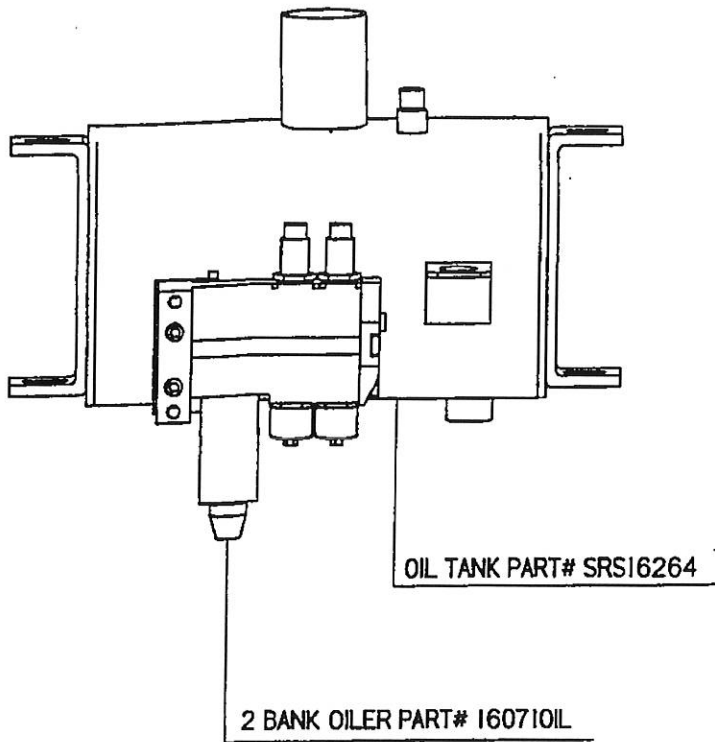
(L)OCAL REMARKS

A | 5/8" - 11

B | 1/8"

C | 1/4"

Refer to the Parts Online web page for most up-to-date information. The printed information might be outdated.



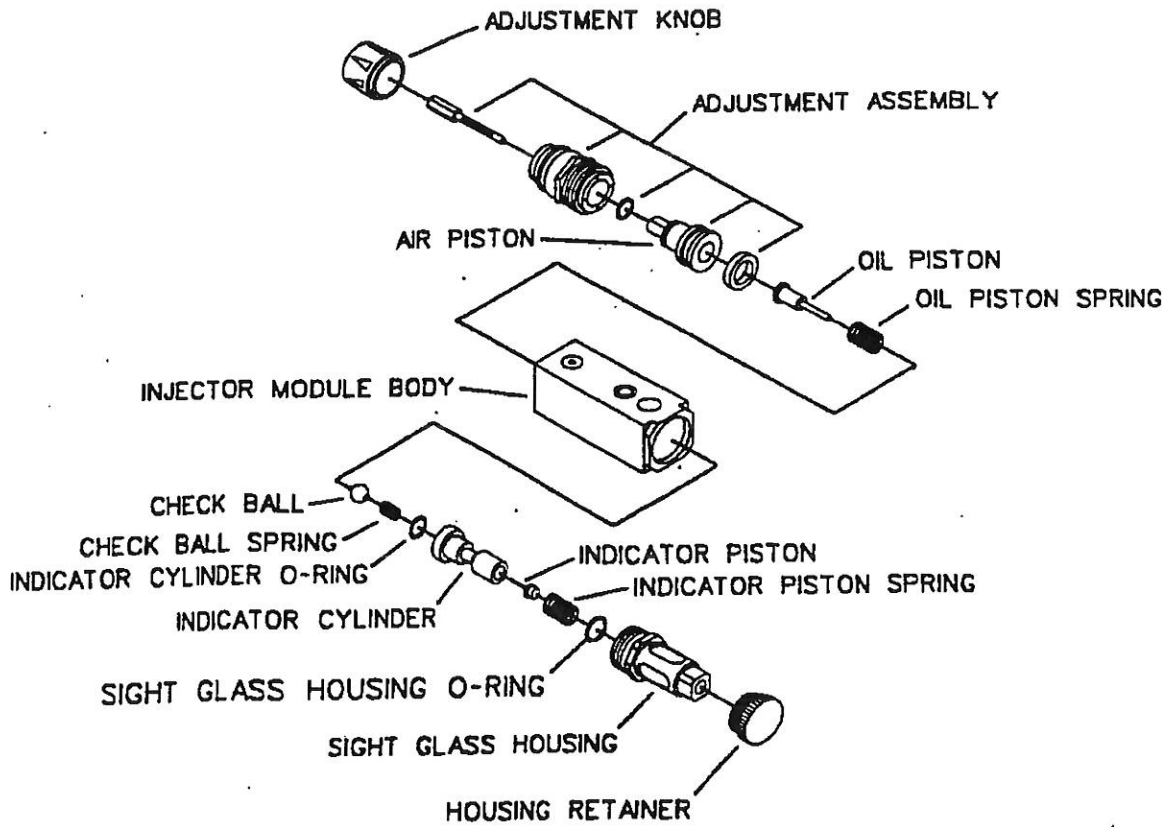
REPAIR KITS:

1757RPT

- OIL PISTON SPRING
- OIL PISTON
- ADJUSTMENT KNOB
- ADJUSTMENT ASSEMBLY

17570RPT

- INDICATOR CYLINDER
- INDICATOR CYLINDER O-RING
- INDICATOR PISTON
- INDICATOR PISTON SPRING
- CHECK BALL
- CHECK BALL SPRING
- HOUSING RETAINER
- SIGHT GLASS HOUSING
- SIGHT GLASS HOUSING O-RING



13. INSTRUCTIONS FOR INSTALLING "ON-GRADE CONVERSION KIT" FOR E-Z DRILL MODEL 210B-2 SRA

(Refer to "ON GRADE CONVERSION KIT" pages in Parts Book/Operators Manual)

To begin, the machine, which is set up in the "slab-rider" configuration, will have to have the drill systems dropped down in the horizontal position. Since the drill systems, in the horizontal position, will be below the wheels, you will either need to block up the wheels off the ground, or move the machine over to the edge of a concrete slab at least 9" thick.

Turn off air and disconnect the main air from the air compressor. Begin to disconnect entire drill systems assembly from the main frame assembly.

- (1) Disconnect all hoses and tubing at the drill systems.
- (2) Remove "raise and lower" cylinder (05209 CYL).
- (3) Remove both lower tool bars (2" square tube – SRU 1318) and upper tool bar (black round pipe – SRU 13190) and hinges (SRS 16351) by loosening all clamps (MFA 06420).
- (4) Where the upper tool bar was, install the bushings (SRS 16620).
- (5) Take the conversion mast (SRU 13480) and match up the "ears" on it to "ears" on the main frame mast; bolt it on.
- (6) Slide the upper tool bar (round black tube - SRU 13190) that was earlier removed through the bosses on the conversion mast and the hinges; tighten set screws (25590 BLT)

Move the main frame around to the other end of the feed systems.

- (1) Lower the mast (by turning the large nuts on top of the mast – loosen ½" bolts on the side of the mast first). Lower it down until you can slide the lower tool through the clamps on the feed systems (the one that is closest to the main frame) and the hinges (SRS 16351). Center it and tighten the clamps.

IMPORTANT: BE SURE TO CENTER THE CYLINDER MOUNT (SRU 15300) AND PLACE IT SO THAT IT IS POINTING STRAIGHT UP

- (2) Install "raise and lower" cylinder (05209 CYL)
- (3) Be sure that nuts on the adjustable clevis (SRS 1661) are backed away from the auto align pivot (SRU 13490) approximately 1" from either side. This lets the drill systems "float", allowing for changes in the subgrade and keeps the drill systems horizontal.
- (4) Connect all hoses and tubing

Install wheel assembly on to outer tool bar close to the center of the frame. This wheel will ride on top of the slab. Adjust the height of the wheel to level the drills. Also, adjust screw jack on main frame to level the other end of the drill systems. **IMPORTANT: Remember to loosen ½" bolts on side of the mast before adjusting screw jacks. Re-tighten after making the adjustment.**