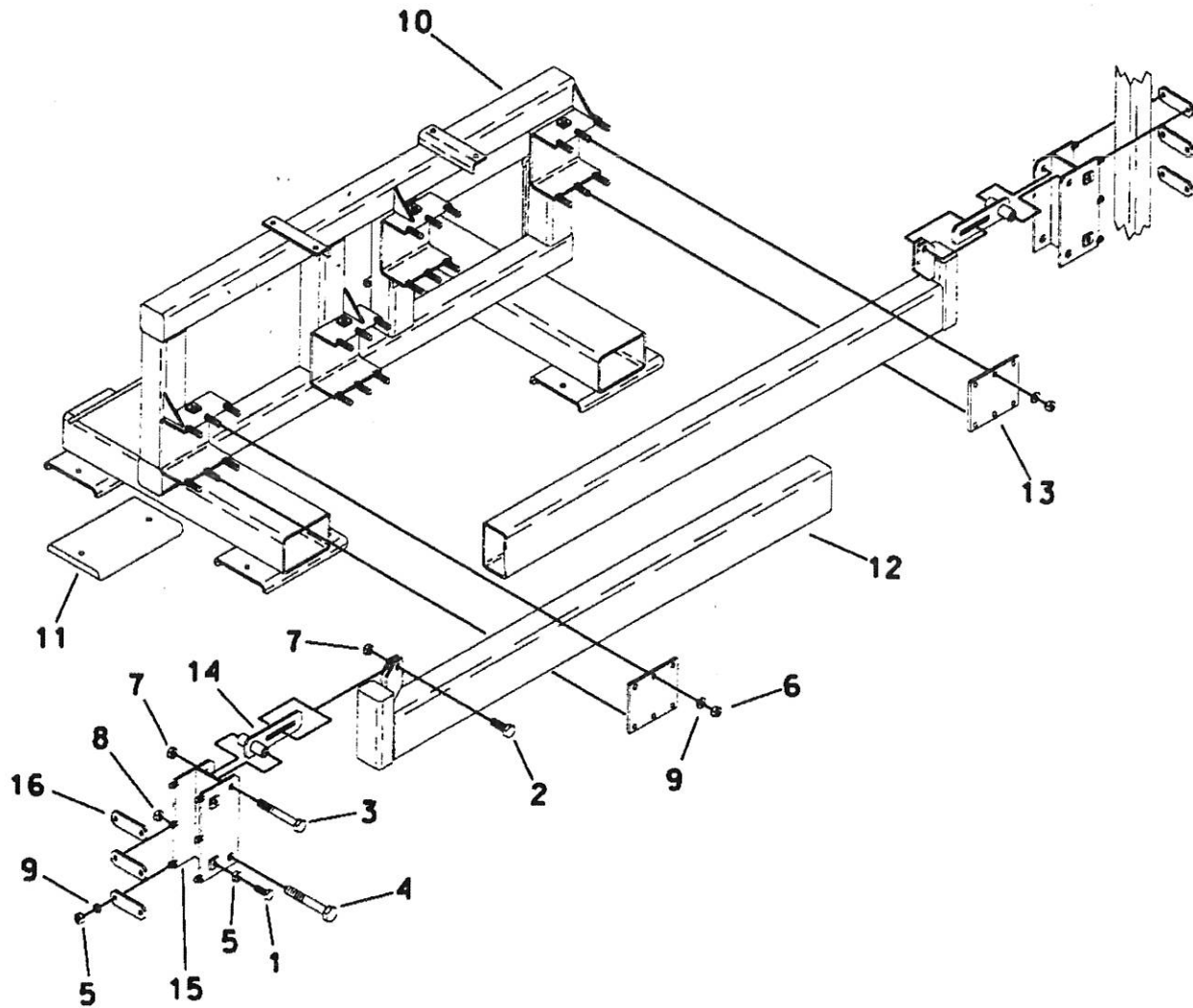


MAIN FRAME

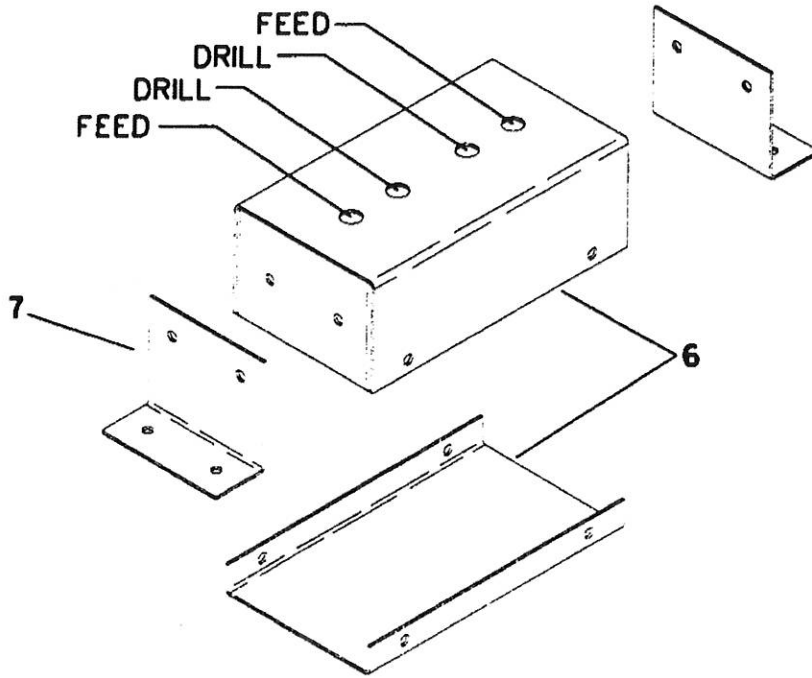
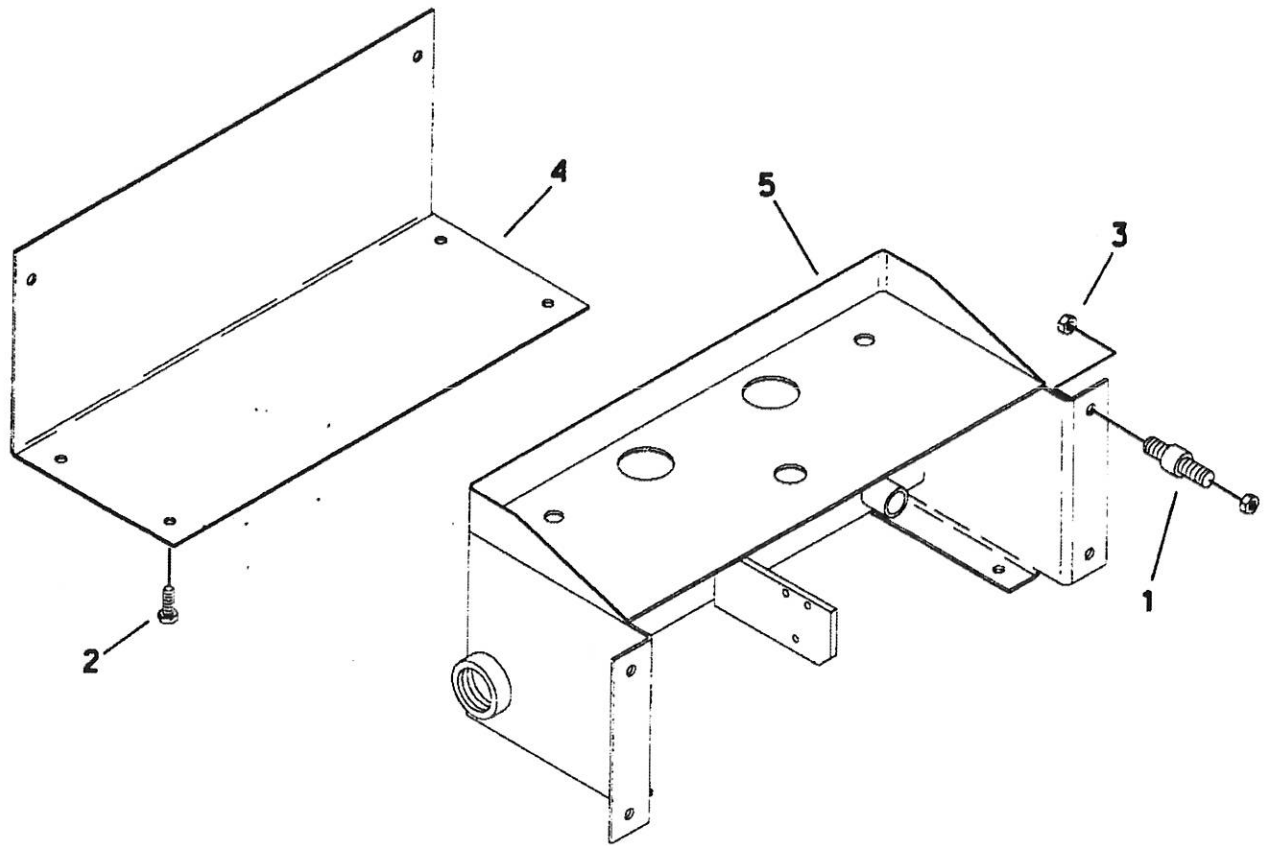


FNG8120-10

MAIN FRAME

ITEM	PART NO	QTY	DESCRIPTION
1.	2562BLT	4	BOLT (1/2" X 1-1/2")
2.	2582BLT	2	BOLT (5/8" X 2")
3.	25862BLT	2	BOLT (5/8" X 5")
4.	259908BLT	2	BOLT (3/4" X 5")
5.	2732NUT	4	STD NUT (1/2")
6.	2734NUT	36	LOCKNUT (1/2")
7.	2743NUT	4	LOCKNUT (5/8")
8.	2749NUT	2	LOCKNUT (3/4")
9.	2831WAS	36	WASHER (1/2")
10.	MNF0508	1	MAIN FRAME
11.	VER1003	4	SKID PAD
12.	VER10080	2	TOOL BAR
13.	VER1032	2	CLAMP PLATE
14.	VER1071	2	ANGLE ADJUST
15.	VER1073	2	F. BAR TO T. BAR MT.
16.	VER10730	6	F. BAR TO T. BAR MT. ST.

CONTROL BOX

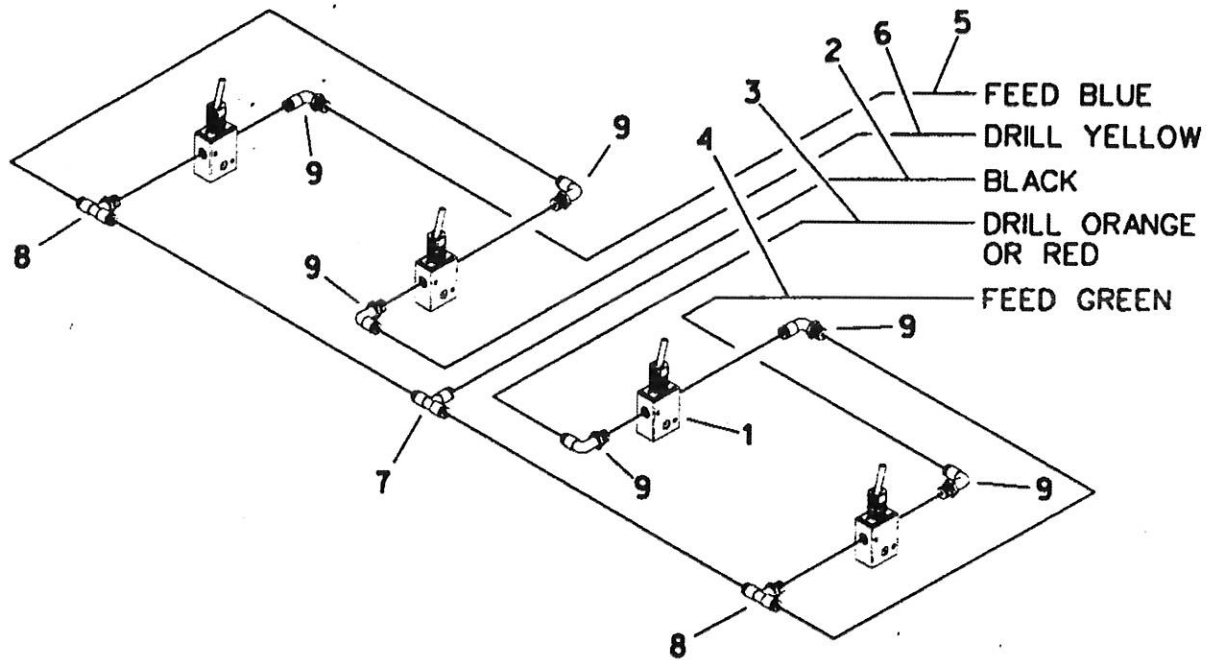


FNG8120-20

CONTROL BOX

ITEM	PART NO	QTY	DESCRIPTION
1.	1822GRD	4	ISOLATOR
2.	2520BLT	6	BOLT (5/16" X 1")
3.	2727NUT	8	LOCKNUT (3/8")
4.	SHR0318	1	SHROUD
5.	VER1002	1	REGULATOR BOX
6.	VER1006	1	REMOTE BOX
7.	VER1031	2	CONTROL BOX MOUNT

CONTROL BOX CIRCUIT

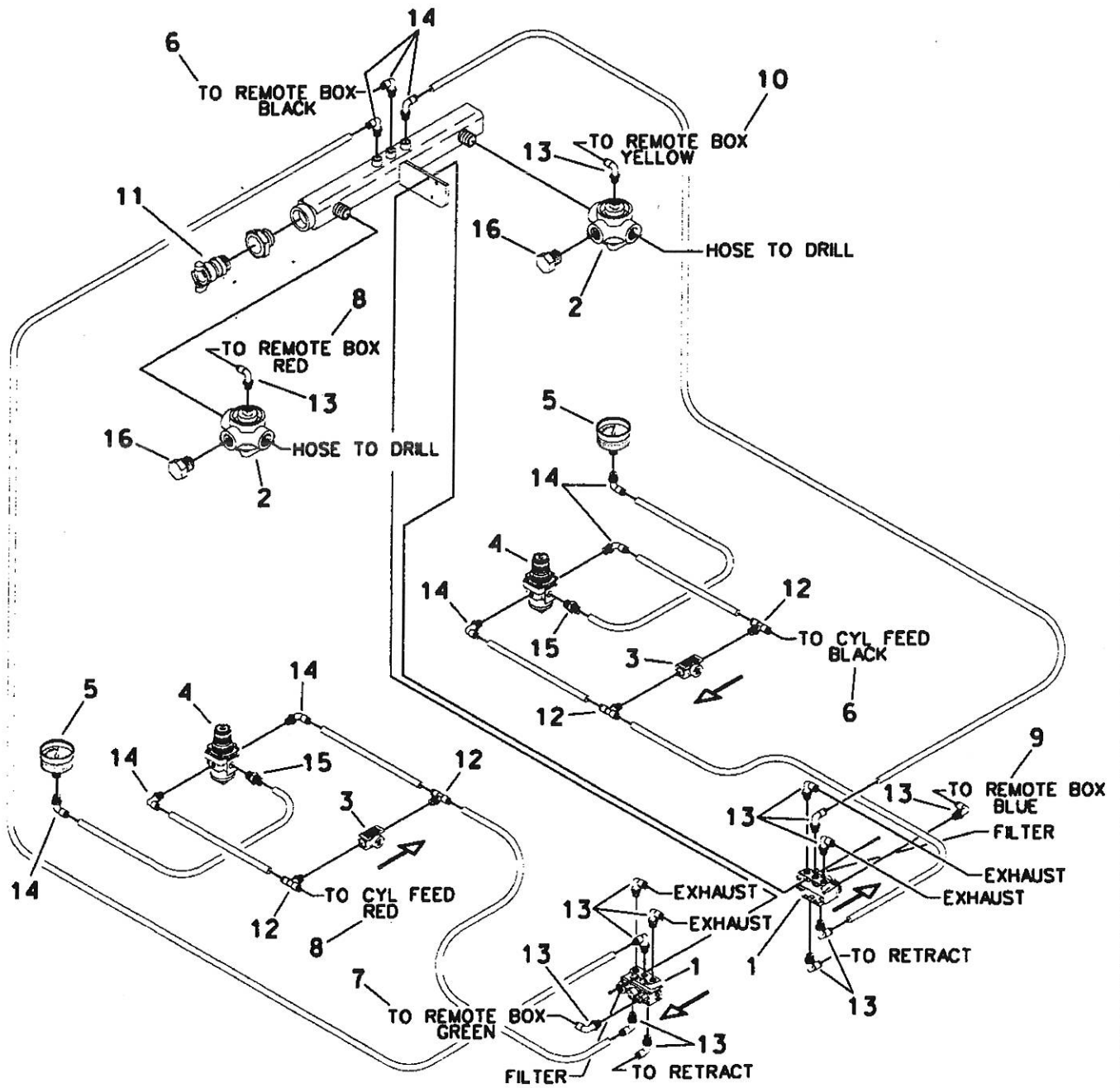


CONTROL BOX CIRCUIT

ITEM	PART NO	QTY	DESCRIPTION
1.	06095VAL	4	TOG SWITCH
2.	1903HOS	*	TUBING BLACK (1/4") (* VAR LENGTHS)
3.	19030HOS	*	TUBING ORANGE (1/4") (* VAR LENGTHS)
4.	19031HOS	*	TUBING GREEN (1/4") (* VAR LENGTHS)
5.	19033HOS	*	TUBING BLUE (1/4") (* VAR LENGTHS)
6.	19034HOS	*	TUBING YELLOW (1/4") (* VAR LENGTHS)
7.	2040FIT	1	UNION TEE (1/4")
8.	2041FIT	2	BRANCH TEE (1/4")
9.	2051FIT	6	FITTING (1/4" X 1/4" 90)

FNG8120-30

REGULATOR CONTROL BOX CIRCUIT



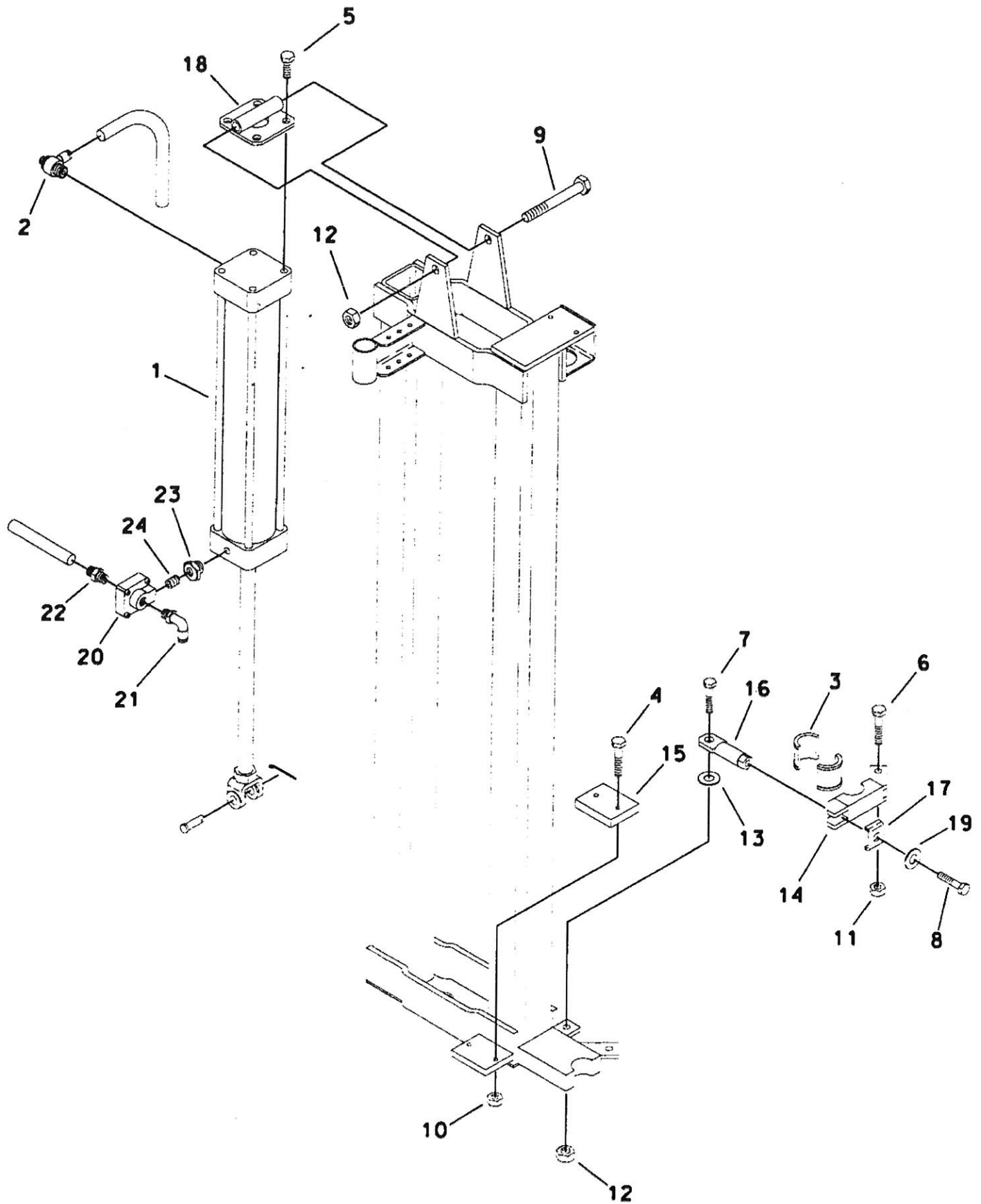
FNG8120-40

REGULATOR CONTROL BOX CIRCUIT

ITEM	PART NO	QTY	DESCRIPTION
1.	0606VAL	2	PILOT PRESSURE VALVE
2.	06075VAL	2	AUTO SPACE VALVE
3.	0614VAL	2	CHECK VALVE
4.	0810REG	2	REGULATOR
5.	09022GAU	2	AIR GAUGE
6.	1903HOS	*	HOSE (1/4") (* VARIOUS LENGTHS)
7.	19031HOS	*	GREEN TUBE (1/4") (* VARIOUS LENGTHS)
8.	19032HOS	*	TUBE RED (1/4") (* VARIOUS LENGTHS)
9.	19033HOS	*	TUBE BLUE (1/4") (* VARIOUS LENGTHS)
10.	19034HOS	*	TUBE YELLOW (1/4") (* VARIOUS LENGTHS)
11.	2009FIT	1	COUPLING (3/4")
12.	2041FIT	4	BRANCH TEE (1/4")
13.	2050FIT	14	MALE ELBOW (1/4" - 1/8")
14.	2051FIT	9	MALE 90 (1/4" - 1/4")
15.	2067FIT	2	MALE CONNECTOR (1/4" - 1/4")
16.	2102PFT	2	PIPE PLUG (3/4")

FNG8120-40

FEED BAR ASSEMBLY



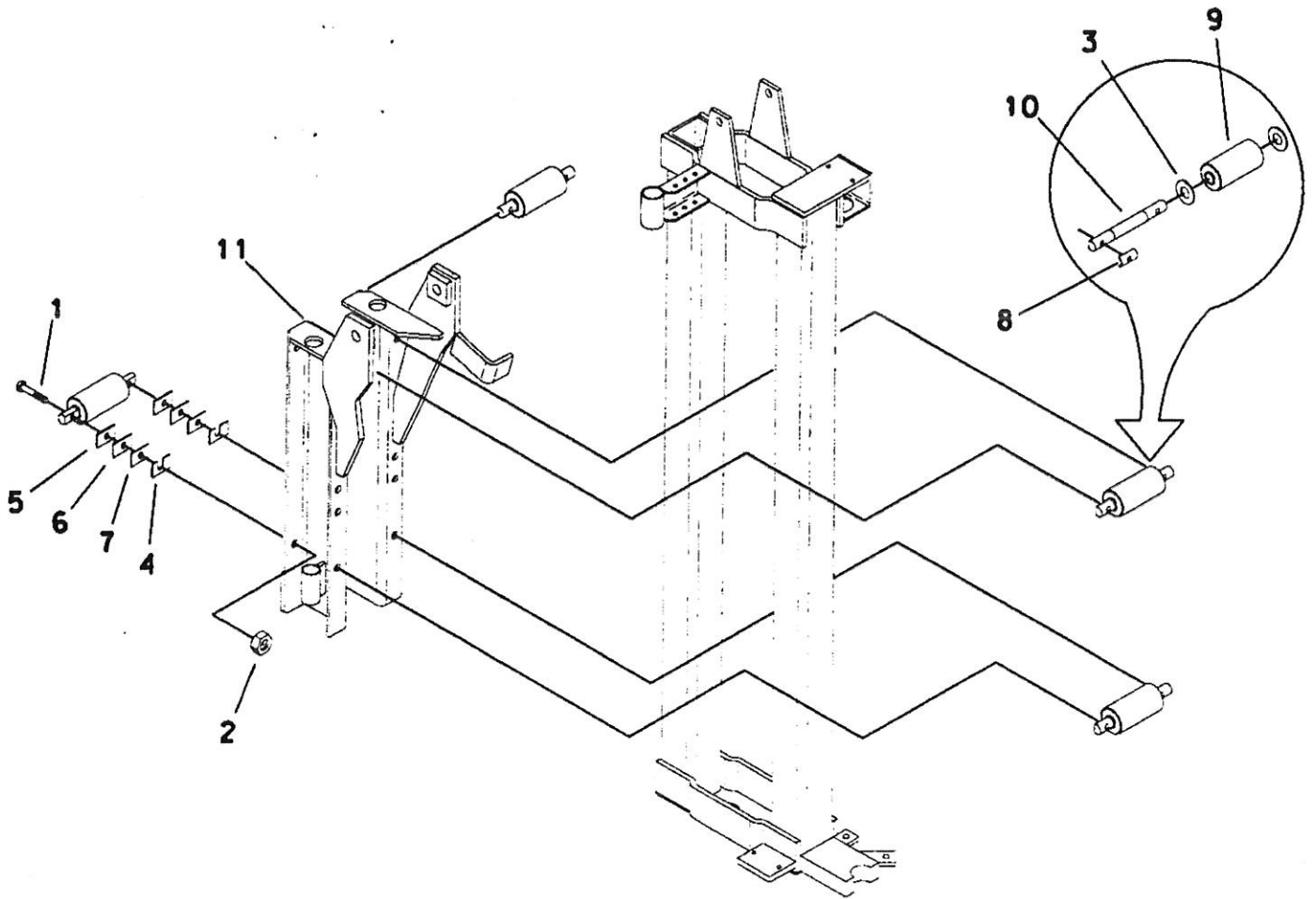
FNG8120-50

FEED BAR ASSEMBLY

ITEM	PART NO	QTY	DESCRIPTION
1.	05140CYL	2	FEED CYLINDER (18" DD)
2.	0611VAL	2	FLOW CONTROL VALVE
** 3.	11139 MCP	2	DRILL STEM BUSHING (5/8" BIT DIA)
	11140 MCP		DRILL STEM BUSHING (3/4" BIT DIA)
	11141 MCP		DRILL STEM BUSHING (7/8" BIT DIA)
	11142 MCP		DRILL STEM BUSHING (1" BIT DIA)
	11143 MCP		DRILL STEM BUSHING (1-1/8" BIT DIA)
4.	2501BLT	4	BOLT (1/4" X 3/4")
5.	25163BLT	4	BOLT (3/8" X 1")
6.	2541BLT	2	BOLT (3/8" X 1-1/2")
7.	2562BLT	2	BOLT (1/2" X 1-1/2")
8.	2563BLT	2	BOLT (1/2" X 2")
9.	2570BLT	2	BOLT (1/2" X 4")
10.	2716NUT	4	LOCKNUT (1/4")
11.	2727NUT	2	LOCKNUT (3/8")
12.	2734NUT	4	LOCKNUT (1/2")
13.	2831WAS	1	WASHER-THICK (1/2") MACHINE BUSHING
14.	MFA0609	2	BIT GUIDE
15.	MFA0626	2	STOP PAD
16.	MFA0674	2	SWIVEL BOLT (INCL REF NOS 7,8,12,13 & 18)
17.	MFA0690	2	BIT GUIDE KEEPER
18.	SRG1120	2	REAR CYLINDER BRACKET
19.	2832WAS	1	LOCKWASHER (1/2")
20.	0605VAL	2	QUICK EXHAUST VALVE
21.	2051FIT	2	AIR FITTING
22.	2067FIT	2	AIR FITTING
23.	2077PFT	2	BUSHING (3/8" X 1/4")
24.	2109PFT	2	NIPPLE (1/4" X 1")
** 3.	11144 MCP	2	DRILL STEM BUSHING 1-1/4" (FOR 1" X 4-1/4" CHUCK)

FNG8120-50

CARRIAGE ASSEMBLY

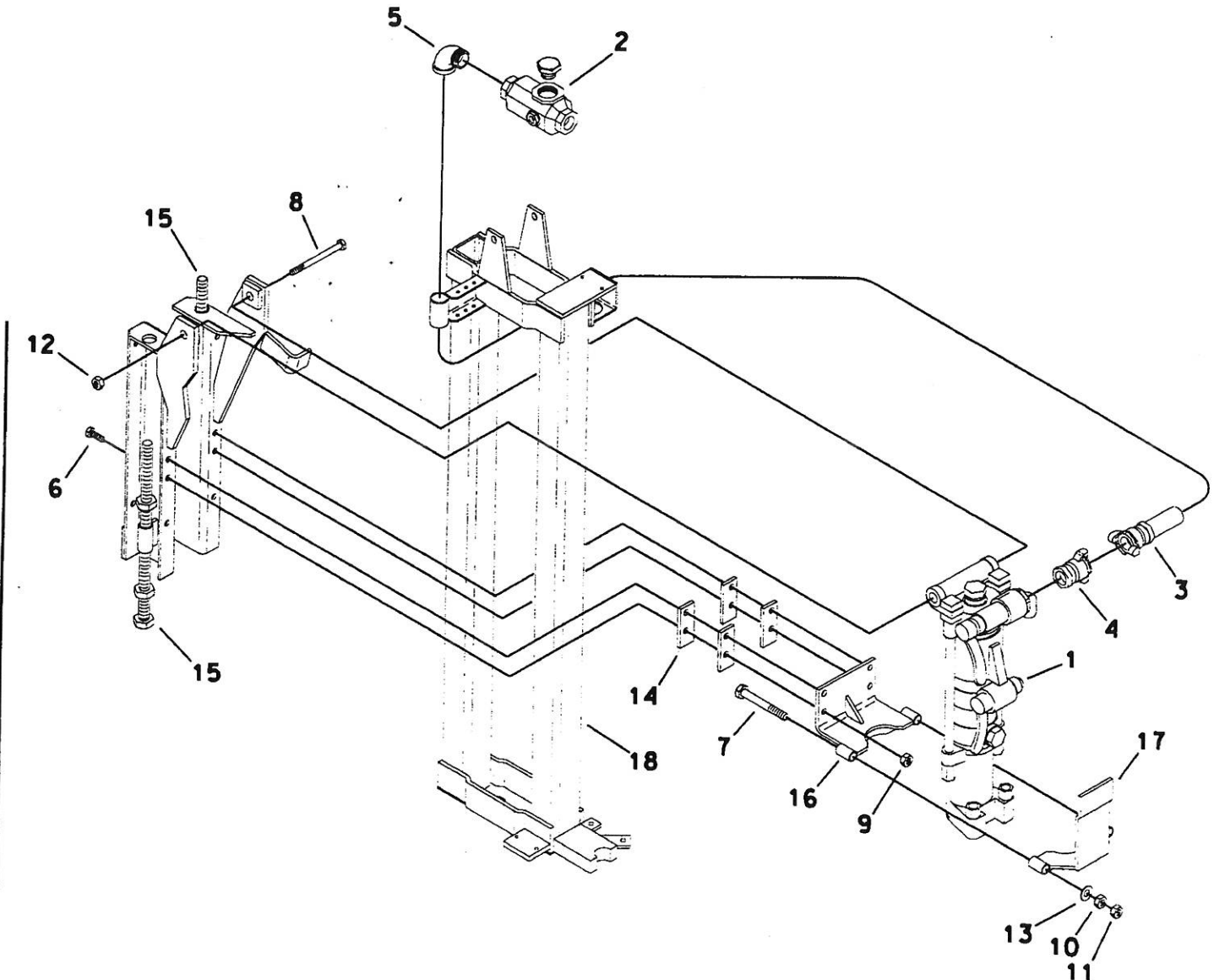


FNG8120-60

CARRIAGE ASSEMBLY

ITEM	PART NO	QTY	DESCRIPTION
1.	2526BLT	8	BOLT (5/16" X 1-1/2" BOLT)
2.	2719NUT	8	LOCKNUT (5/16")
3.	2841WAS	8	WASHER (5/8")
4.	7009TAB	2	STAINLESS STEEL SHIM
5.	7011TAB	2	SHIM (12 GA)
6.	7012TAB	2	SHIM (18 GA)
7.	7013TAB	2	SHIM (22 GA)
8.	CRA0230	8	BEARING KEEPER
9.	CRA0233	4	ROLLER BEARING DRUM
10.	CRA0234	4	ROLLER BEARING AXLE
11.	CRG01041	2	CARRIAGE

CARRIAGE / AIR DRILL



FNG8120-70

CARRIAGE / AIR DRILL

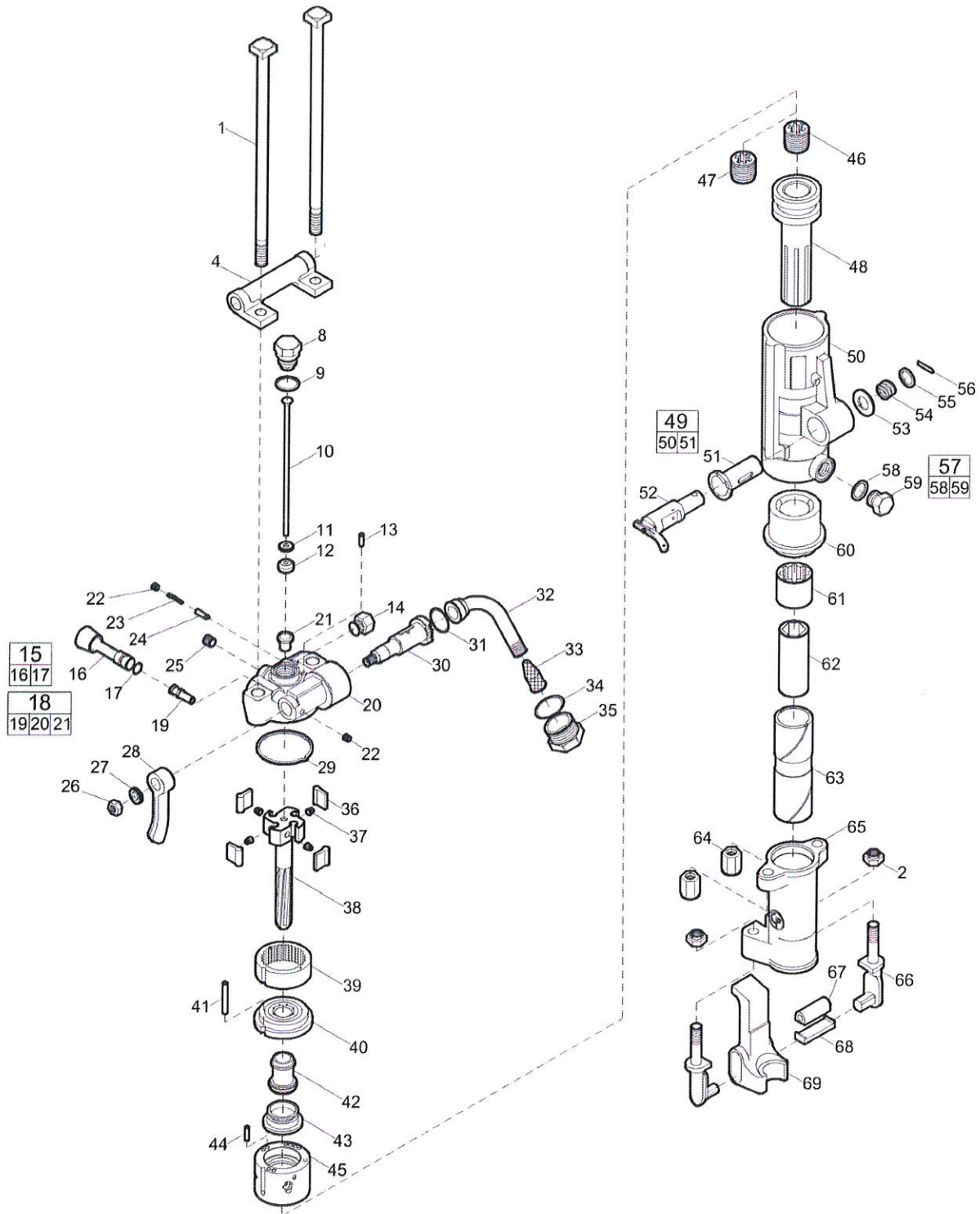
ITEM	PART NO	QTY	DESCRIPTION
1.	0105 DRL	2	CP -69 ROCK DRILL
2.	1601OIL	2	OILER
	1720RPT.		OILER CAP AND O-RING
	1737RPT		OILER SIGHT GLASS KIT
	17201RPT		O/RING, OILER ADJUSTER
	17202RPT		VALVE BODY
3.	1904HOS	*	FEED BAR TO DRILL (3/4" HOSE) (* VAR LENGTHS)
4.	2009FIT	2	HOSE FITTING COUPLING
5.	2155PFT	2	PIPE FITTING (3/4" STREET L)
6.	2540BLT	8	BOLT (3/8" X 1-1/4")
7.	2570BLT	4	BOLT (1/2" X 4")
8.	2590BLT	2	BOLT (5/8" X 8")
9.	2727NUT	8	LOCKNUT (3/8")
10.	2732NUT	4	STD NUT (1/2")
11.	2734NUT	4	LOCKNUT (1/2")
12.	2742NUT	2	LOCKNUT (5/8")
13.	2832WAS	4	WASHER (1/2")
14.	7010TAB	8	SHIM (16 GA - 2 HOLE)
** 15.	CRA0202	2	STOP ROD
16.	CRA0214	2	BRACKET-UPPER DRILL
17.	CRA0216	2	BRACKET-LOWER DRILL
18.	VER1036	2	FEED BAR

**** REFER TO SERIAL NUMBER**

CRA02030	2	STOP ROD 3/4" x 18" - (AFTER S/N: M-1857)
27490 NUT	4	3/4" COIL ROD NUT (AFTER S/N: M-1857)

FNG8120-70

Spare parts list CP 0069 1" x 4¼"



Refer to the Parts Online web page for most up-to-date information. The printed information might be outdated.

Item	Part No.	Name	Qty	L
1	R085755	Bolt - Thru	2	
2	R005742	Nut - Elastic stop	2	A
4	R086608	Bracket - Handle	1	
8	R076793	Plug - Air tube	1	
9	R000537	Gasket - Tube plug	2	
10	R093907	Tube - Air	1	
11	R095169	Washer - Air tube	1	
12	R090364	Rubber - Air tube	1	
13	R075802	Pin - Valve plunger	1	
14	R076372	Plug - Water valve	1	
15	R079130	Water valve port plug, complete	1	
16	-	Water valve port plug	1	
17	C079489	O-ring	1	
18	R137744	Backhead, complete	1	
19	R098054	Bushing - Water valve	1	
20	-	Backhead	1	
21	R137739	Bushing - Blow tube	1	
22	C068064	Plug - Pipe	2	
23	R085671	Spring - Valve plunger	1	
24	R086627	Plunger - Throttle valve	1	
25	C068799	Plug - pipe, Ø 1/4 in., Ø 6.5 mm	1	C
26	P002149	Nut - Hexagon	1	D
27	C036717	Lockwasher - Head latch	1	E
28	R079124	Handle - Throttle valve	1	
29	H0980438	Gasket	1	
30	R086628	Valve - Throttle	1	
31	P103521	O-ring	1	
32	R075265	Swivel - Air inlet	1	
33	R005584	Screen - Air inlet	1	
34	R110317	O-ring	1	
35	R000530	Air swivel nut	1	
36	R075267	Pawl	4	
37	R086654	Spring - Pawl	4	
38	R093887	Bar - Rifle	1	

Refer to the Parts Online web page for most up-to-date information. The printed information might be outdated.

Item	Part No.	Name	Qty	L
39	R137740	Ring - Ratchet	1	
40	R093490	Cover - Valce case	1	
41	R137741	Pin - Dowel	1	
42	R085608	Spacer - Valve case	1	
43	R093900	Valve	1	
44	R114133	Pin - Oiler	1	
45	R085607	Case - Valve	1	
46	R075839	Nut - Rifle bar	1	F
47	R075826	Nut - Rifle bar	1	G
48	R000126	Piston	1	
49	R137742	Cylinder, complete	1	
50	-	Cylinder	1	
51	R085624	Bushing - Blower valve	1	
52	R085623	Valve - Blower	1	
53	R075777	Washer - Blower valve	1	
54	R075778	Spring - Blower valve	1	
55	R075780	Washer - Valve spring	1	
56	R076266	Pin - Spring	1	
57	R085611	Oil plug, complete	1	
58	R091176	Gasket - Oil plug	1	
59	-	Oil plug	1	
60	R137743	Bushing - Cylinder	1	
61	R086733	Nut - Chuck rotation	1	
62	R093890	Chuck, 1" x 41/4" (25 x 108 mm)	1	
63	R137977	Sleeve - Chuck, 1" x 41/4" (25 x 108 mm)	1	
64	R085756	Nut - Thru bolt	2	
65	R041323	Fronthead, 7/8" x 41/4" (22 x 108 mm)	1	
66	R093896	Tunnion - Retainer	2	
67	R093897	Buffer - Retainer	1	
68	R093898	Retainer - Latch shoe	1	
69	R093895	Retainer, 1" (25 mm)	1	

Comments for Page: CP 0069 1" x 4¼"

(L)OCAL REMARKS

A | 5/8" - 11

B | 1/8"

C | 1/4"

Refer to the Parts Online web page for most up-to-date information. The printed information might be outdated.