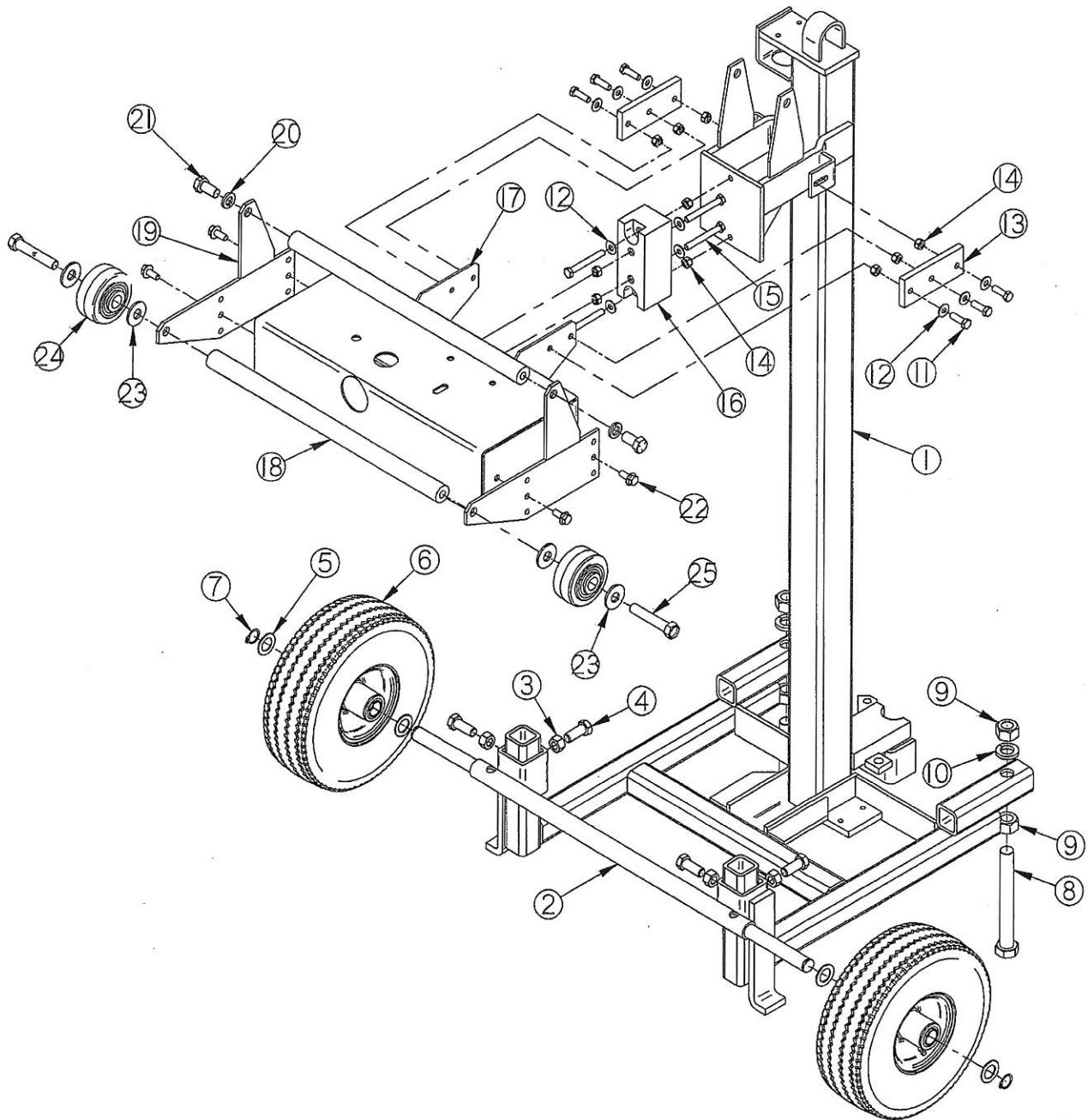


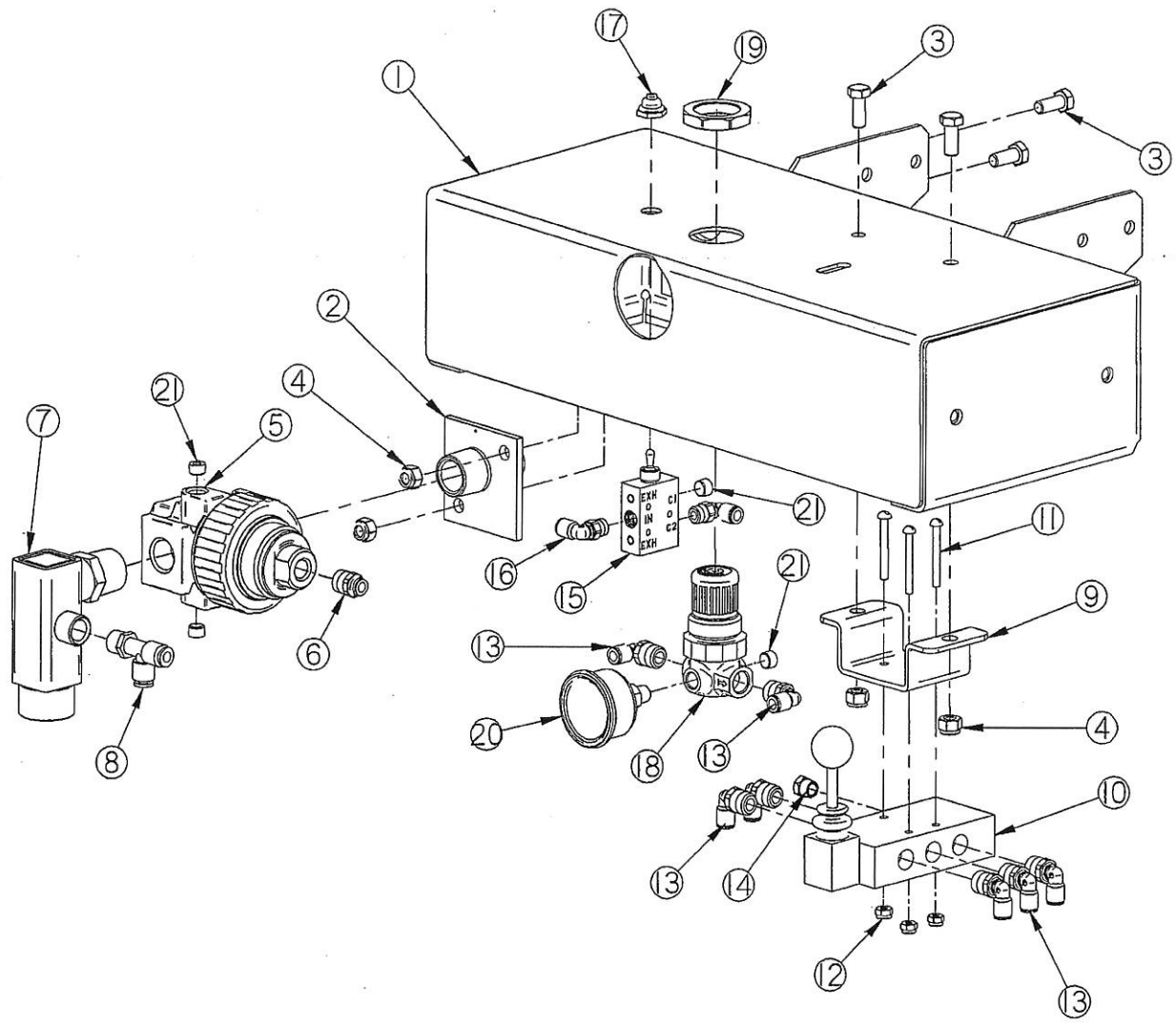
# MODEL 20 UTL MAIN FRAME ASSEMBLY



# MODEL 20 UTL MAIN FRAME ASSEMBLY

Item No.	Part No.	Quantity	Description
1	MNF05021	1	MAIN FRAME ( MOD 20 UTL )
2	VERI0790	1	UTL 20 AXLE ASSEMBLY
3	2732 NUT	4	1/2" NC STANDARD NUT
4	2560BLT	4	1/2" NC X 1.25" HX HD BOLT
5	28510 WAS	4	3/4" THIN ( 14 GA. ) MACHINE WASHER
6	0202 WHL	2	4.10-3.50-4 TIRE-WHEEL
7	3038PIN	2	SNAP RING 3/4"
8	25997 BLT	2	3/4" NC X 6.0" HX HD TAP BOLT
9	2748NUT	4	3/4" NC STD NUT
10	2852 WAS	2	3/4" LOCK WASHER
11	2520 BLT	6	5/16" NC X 1.00" HX HD BOLT
12	2801 WAS	10	1/4" FLAT WASHER
13	VERI066	2	ISOLATOR SUPPORT STRAP
14	2719 NUT	10	5/16" NC NYLON INSERT LOCKNUT
15	2531 BLT	4	5/16" NC X 2.50" HX HD BOLT
16	VERI065	1	ISOLATOR UTL20
17	VERI064	1	PANEL SUB, M 20 UTILITY
18	VERI0632	2	HANDLE TUBE
19	VERI0631	2	HANDLE ASSEMBLY
20	2832 WAS	2	1/2" LOCK WASHER
21	2559BLT	2	1/2" X 1" BOLT
22	25175 BLT	4	5/16 NC X .75" LG. HEX FLG HEAD BOLT
23	2830 WAS	4	1/2" STD. FLAT WASHER
24	0207 WHL	2	GUIDE WHEEL (210B SRA)
25	25674BLT	2	1/2" X 2-3/4" GREASE BOLT

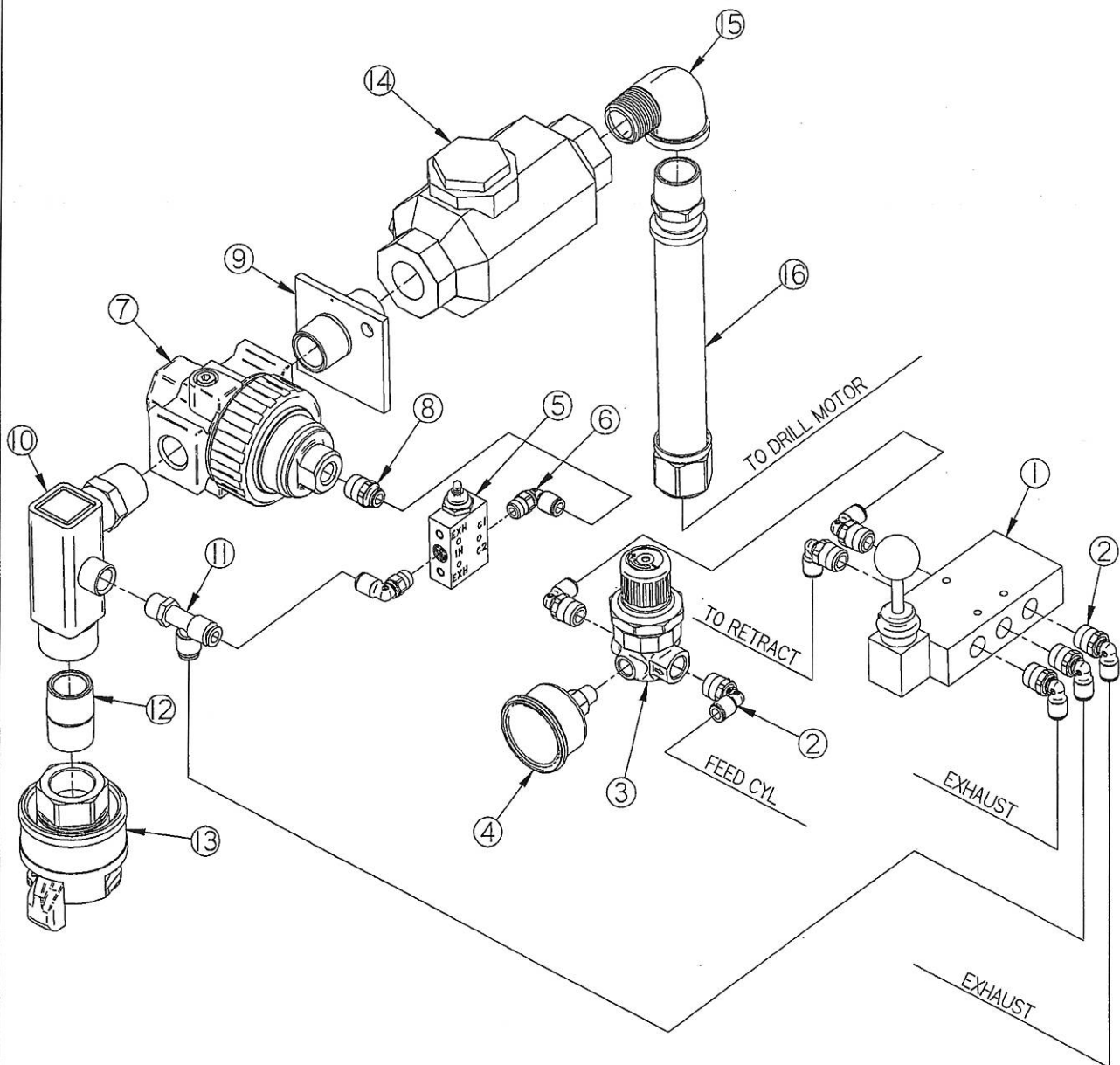
# MODEL 20 UTL CONTROL PANEL ASSEMBLY



# MODEL 20 UTL CONTROL PANEL ASSEMBLY

Item No.	Part No.	Quantity	Description
1	VER1064	1	PANEL SUB, M 20 UTILITY
2	VER1069	1	VALVE MOUNT, 3/4NPT MALE ( M 20 UTIL )
3	2519 BLT	4	5/16" NC X .75" HX HD BOLT
4	2719 NUT	4	5/16" NC NYLON INSERT LOCKNUT
5	08113 REG	1	3/4" NPT CONTROLLED REGULATOR
6	2067 FIT	1	1/4" TUBE X 1/4 NPT M ST. CONNECTOR
7	VER1068	1	MANIFOLD ( M20 UTILITY )
8	2035FIT	1	1/4" X 1/4" MALE RUN T
9	SRUI3460	1	VALVE SPACER
10	060102VAL	1	3 WAY POSITION VALVE WITH KNOB
11	2478BLT	3	NO. 8-32 UNC X 1 1/2" MACH. SCREW
12	2712NUT	3	NO. 8-32 UNC NYLON INSERT LOCKNUT
13	2051 FIT	7	1/4" TUBE X 1/4" NPT 90 DEG. SWIVEL
14	1001 BRV	1	1/8" NPT BREATHER VENT
15	06095 VAL	1	2-POSITION 4-WAY DETENTED TOGGLE VALVE
16	2050 FIT	2	1/4" TUBE X 1/8 NPT 90 DEG SWIVEL
17	1828 GRO	1	RED BOOT FOR 06095VAL
18	081020REG	1	0-10 MAX PSI REGULATOR
19	17056 RPT	1	REGULATOR PANEL NUT (METAL LOCK RING)
20	09022 GAU	1	0-60 PSI FILLED GAUGE ( 1/8 NPT M )
21	21010PFT	4	1/8" PIPE PLUG - SOCKET HD.

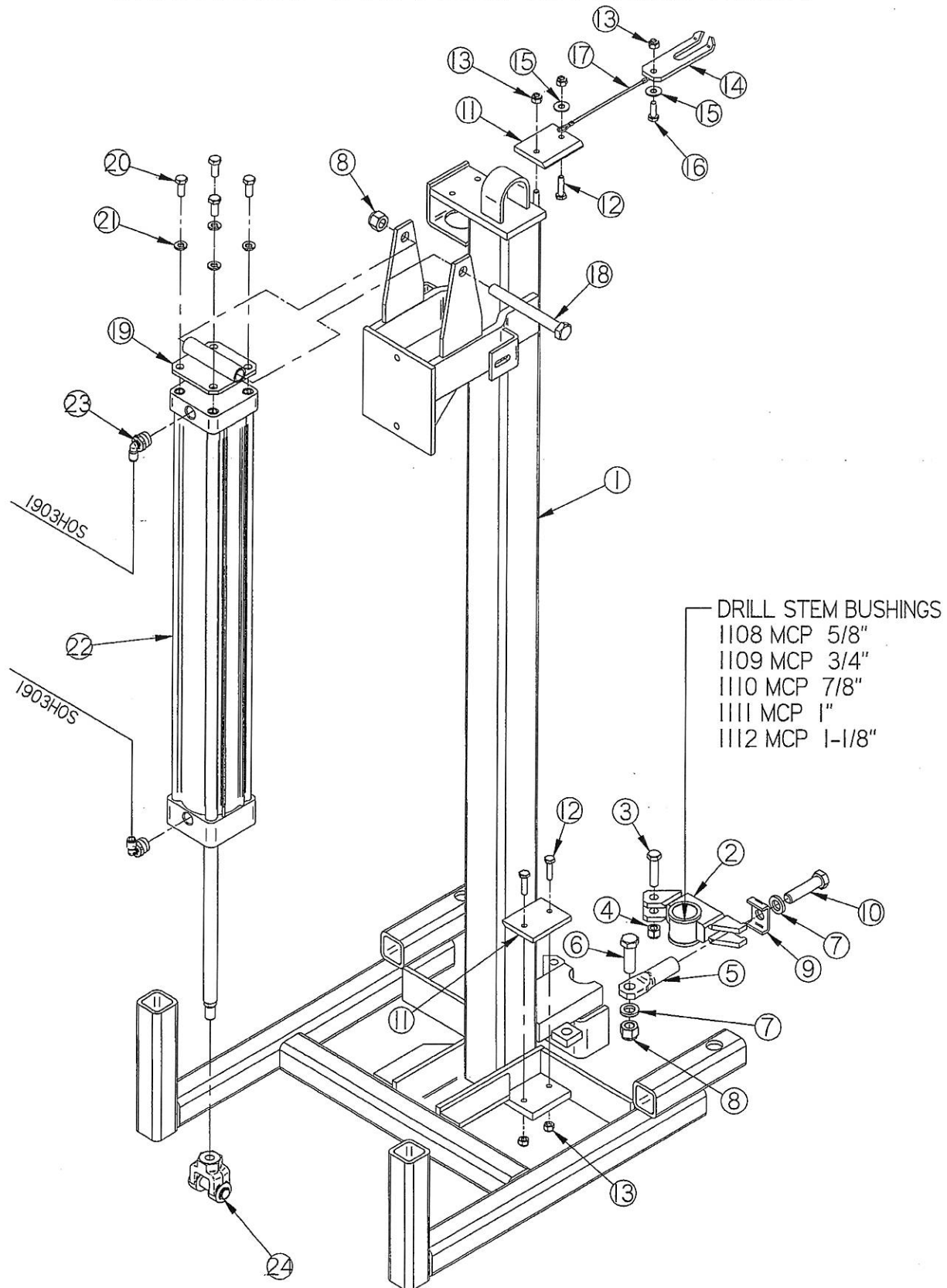
# MODEL 20 UTL AIR LINE SCHEMATIC



# MODEL 20 UTL AIR LINE SCHEMATIC

Item No.	Part No.	Quantity	Description
1	060102VAL	1	3 WAY POSITION VALVE WITH KNOB
2	2051 FIT	7	1/4" TUBE X 1/4" NPT 90 DEG. SWIVEL
3	081020REG	1	0-10 MAX PSI REGULATOR
4	09022 GAU	1	0-60 PSI FILLED GAUGE ( 1/8 NPT M )
5	06095 VAL	1	2-POSITION 4-WAY DETENTED TOGGLE VALVE
6	2050 FIT	2	1/4" TUBE X 1/8 NPT 90 DEG SWIVEL
7	08113 REG	1	3/4" NPT CONTROLLED REGULATOR
8	2067 FIT	1	1/4" TUBE X 1/4 NPT M ST. CONNECTOR
9	VER1069	1	VALVE MOUNT, 3/4NPT MALE ( M 20 UTIL )
10	VER1068	1	MANIFOLD ( M20 UTILITY )
11	2035FIT	1	1/4" X 1/4" MALE RUN T
12	2114PFT	1	3/4' X 1 1/2" NIPPLE
13	20090 FIT	1	COUPLING ( 3/4" NPT )
14	1601OIL	1	3/4" PINT OILER
15	2155 PFT	1	STREET ELL, 3/4" NPT
16	HOS1501	1	MANIFOLD TO DRILL MOTOR HOSE 30"

# MODEL 20 UTL FEED BAR ASSEMBLY

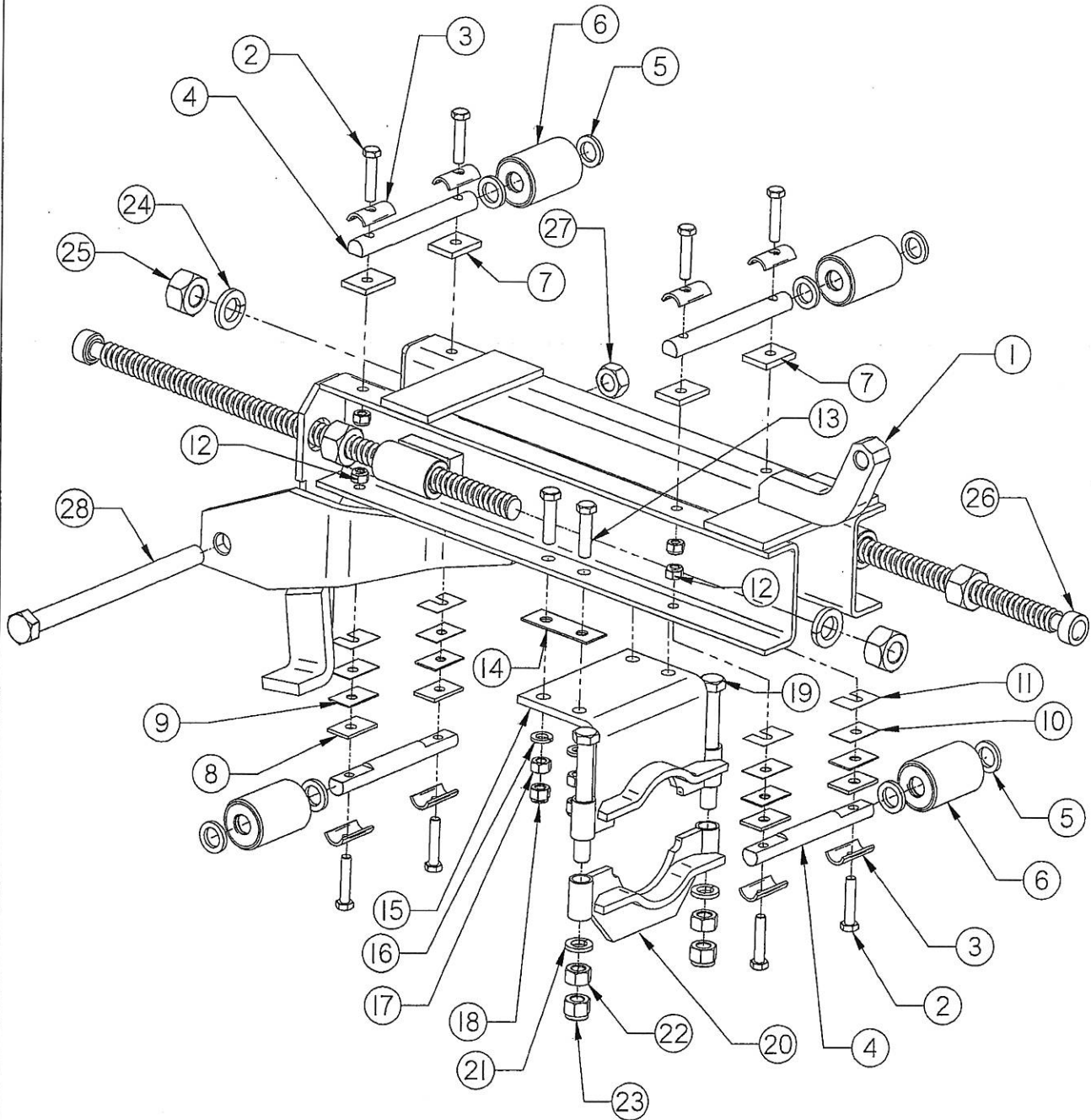


# MODEL 20 UTL FEED BAR ASSEMBLY

Item No.	Part No.	Quantity	Description
1	MNF05021	1	MAIN FRAME ( MOD 20 UTL )
2	MFA0609	1	LOWER BIT GUIDE (1.38")
3	2541 BLT	1	3/8" NC X 1.50" HX HD BOLT
4	2727NUT	1	3/8" NC NYLON INSERT LOCKNUT
5	MFA0674	1	SWIVEL BOLT (1/2-13UNC)
6	2562 BLT	1	1/2" NC X 1.50" HX HD TAP BOLT
7	2831WAS	2	7/8" OD X 1/2" ID WASHER IOGA.
8	2734NUT	2	1/2" NC NYLON INSERT LOCKNUT
9	MFA0690	1	KEEPER, BIT GUIDE
10	2563 BLT	1	1/2" NC X 2.00" HX HD BOLT
11	MFA0626	2	STOP PAD
12	2503BLT	4	1/4" NC X 1.00" BOLT, GR. 5
13	2716NUT	5	1/4" NC NYLON LOCK NUT
14	CRA0218	1	CARRIAGE LOCK
15	2801 WAS	2	1/4" FLAT WASHER
16	2501BLT	1	1/4" NC X .75" HX HD BOLT
17	3030PIN	1	6" LANYARD WITH LOOPS
18	2572BLT	1	1/2" NC X 4 1/2" BOLT, GR. 5
19	VER1030	1	CYLINDER MOUNT 210 VERTICAL
20	2516 BLT	4	5/16" NF X .75" HX HD BOLT
21	2810 WAS	4	5/16" LOCK WASHER
22	0514157 CYL	1	PNEUMATIC CYLINDER 2.50 X 20" STROKE
23	2052 FIT	2	1/4" TUBE X 3/8" NPT 90 DEG. SWIVEL
24	0501 CYL	1	7/16 NF CYL CLEVIS & 1/2" PIN ASSY.



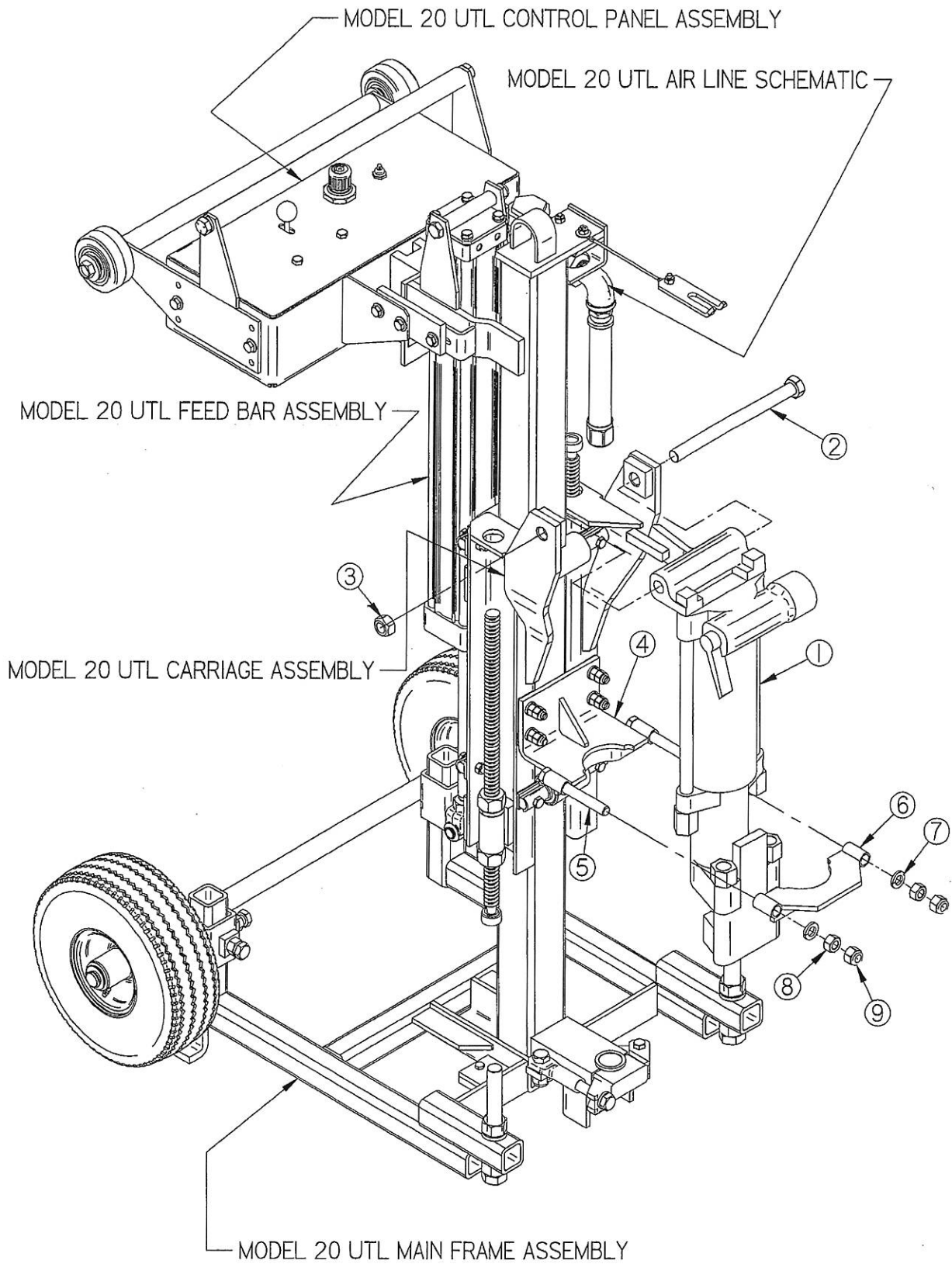
# MODEL 20 UTL CARRIAGE ASSEMBLY



# MODEL 20 UTL CARRIAGE ASSEMBLY

Item No.	Part No.	Quantity	Description
1	CRG01041	1	CARRIAGE ( STD. 210 SERIES )
2	2562 BLT	8	5/16" NC X 1.50" HX HD BOLT
3	CRA0230	8	BEARING KEEPER
4	CRA0234	4	ROLLER BEARING AXLE
5	2841 WAS	8	5/8" MACHINERY BUSHING (10 GAGE)
6	CRA0233	4	ROLLER BEARING DRUM
7	70105TAB	4	3/16" SHIM (ROLLER BRG. AXLE)
8	7011TAB	4	12 GA. SHIM (AS NEEDED)
9	7012TAB	4	18 GA. SHIM (AS NEEDED)
10	7013TAB	4	22 GA. SHIM (AS NEEDED)
11	7009TAB	4	STAINLESS STEEL SHIM (AS NEEDED)
12	2719 NUT	8	5/16" NC NYLON INSERT LOCKNUT
13	2541 BLT	4	3/8" NC X 1.50" HX HD BOLT
14	7010 TAB	2	16 GA. TWO HOLE SHIM
15	CRA0214	1	UPPER DRILL BRACKET
16	2821 WAS	4	3/8" LOCK WASHER
17	2725 NUT	4	3/8" - NC STANDARD HEX NUT
18	2727NUT	4	3/8" NC NYLON INSERT LOCKNUT
19	2570BLT	2	1/2" NC X 4.00" HX HD BOLT
20	CRA0215	1	LOWER DRILL BRACKET
21	2832 WAS	2	1/2" LOCK WASHER
22	2732 NUT	2	1/2" NC STANDARD NUT
23	2734NUT	2	1/2" NC NYLON INSERT LOCKNUT
24	2852 WAS	2	3/4" LOCK WASHER
25	27490 NUT	4	3/4-4.5 TPI COIL THD. NUT (PLATED, HVY HEX)
26	CRA02030	2	3/4 X 18" STOP ROD
27	2742 NUT	1	5/8" NC TOP LOCKNUT
28	2590 BLT	1	5/8" NC X 8.0" HX HD BOLT ( GR. 8 )

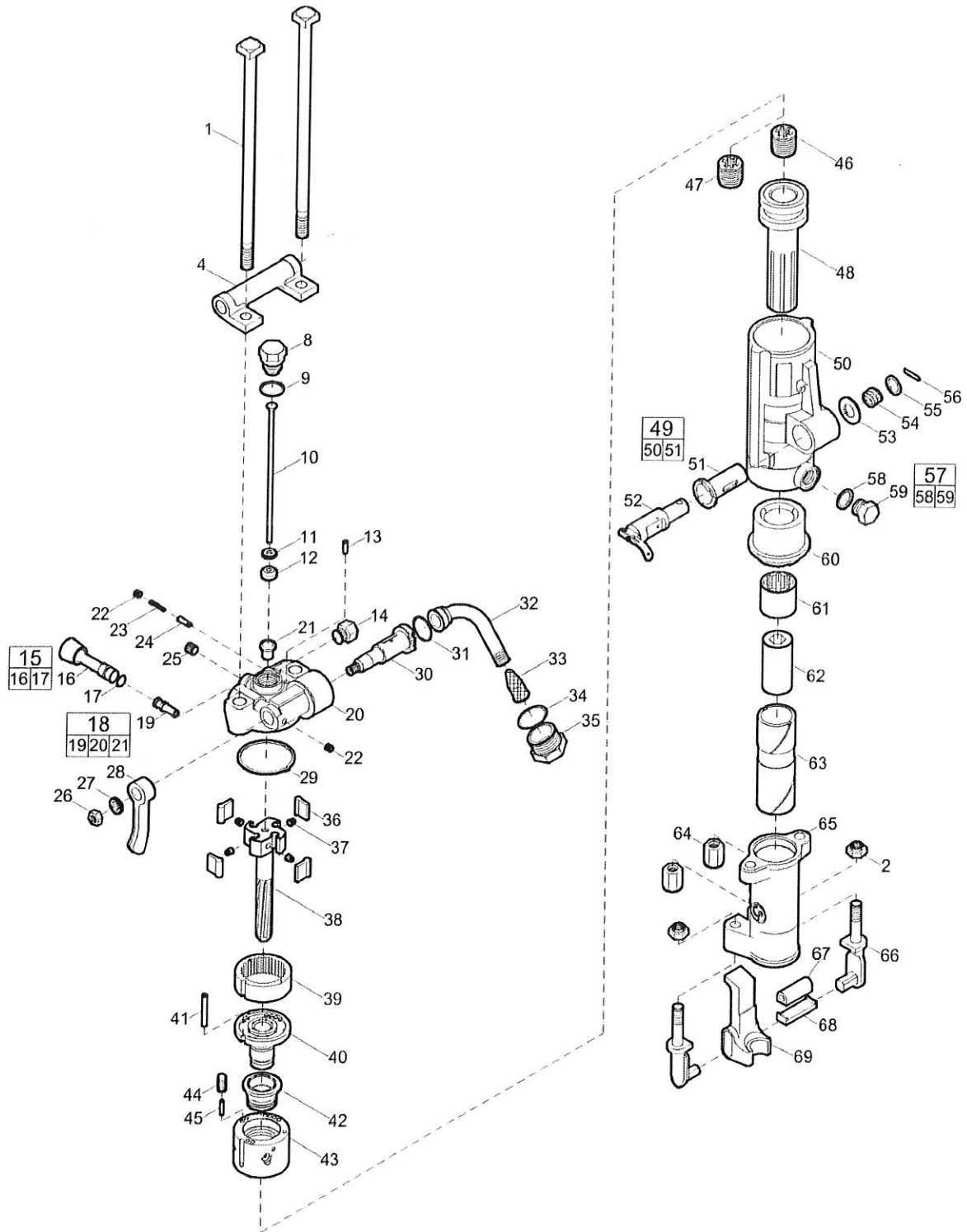
# MODEL 20 UTL ROCK DRILL ASSEMBLY



# MODEL 20 UTL ROCK DRILL ASSEMBLY

Item No.	Part No.	Quantity	Description
1	0101DRL	1	CP 32 A ROCK DRILL
2	2590 BLT	1	5/8" NC X 8.0" HX HD BOLT ( GR. 8 )
3	2742 NUT	1	5/8" NC TOP LOCKNUT
4	CRA0214	1	UPPER DRILL BRACKET
5	2570BLT	2	1/2" NC X 4.00" HX HD BOLT
6	CRA0215	1	LOWER DRILL BRACKET
7	2832 WAS	2	1/2" LOCK WASHER
8	2732 NUT	2	1/2" NC STANDARD NUT
9	2734NUT	2	1/2" NC NYLON INSERT LOCKNUT

Spare parts list CP 0032 A 7/8" x 3 1/4"



Refer to the Parts Online web page for most up-to-date information. The printed information might be outdated.

Item	Part No.	Name	Qty	L
1	R086623	Bolt - Thru	2	
2	R005742	Nut - Elastic stop	Z	A
4	R086608	Bracket - Handle	1	
8	R076793	Plug - Air tube	1	
9	R000537	Gasket - Tube plug	2	
10	R077184	Tube - Air	1	
11	R075449	Washer - Air tube	1	
12	R075099	Rubber - Air tube	1	
13	R075802	Pin - Valve plunger	1	
14	R076372	Plug - Water valve	1	
15	R079130	Water valve port plug, complete	1	
16	-	Water valve port plug	1	
17	C079489	O-ring	1	
18	R087948	Backhead, complete	1	
19	R098054	Bushing - Water valve	1	
20	-	Backhead	1	
21	R137738	Bushing - Blow tube	1	
22	C068064	Plug - Pipe	2	
23	R085671	Spring - Valve plunger	1	
24	R086627	Plunger - Throttle valve	1	
25	C068799	Plug - pipe, Ø 1/4 in., Ø 6.5 mm	1	C
26	P002149	Nut - Hexagon	1	D
27	C036717	Lockwasher - Head latch	1	E
28	R079124	Handle - Throttle valve	1	
29	H0979432	Gasket	1	
30	R086628	Valve - Throttle	1	
31	P103521	O-ring	1	
32	R075265	Swivel - Air inlet	1	
33	R005584	Screen - Air inlet	1	
34	R110317	O-ring	1	
35	R000530	Air swivel nut	1	
36	R075267	Pawl	4	
37	R086654	Spring - Pawl	4	
38	R086622	Bar - Rifle	1	

Refer to the Parts Online web page for most up-to-date information. The printed information might be outdated.

Item	Part No.	Name	Qty	L
39	R076194	Ring - Ratchet	1	
40	R098085	Bushing - Valve guide	1	
41	R075772	Pin - Valve case dowel	1	
42	R076263	Valve	1	
43	R076264	Case - Valve	1	
44	R098084	Plug - Oil regulating	1	
45	R085625	Stem - Oil regulating	1	
46	R075839	Nut - Rifle bar	1	F
47	R075826	Nut - Rifle bar	1	G
48	R000088	Piston	1	
49	R087990	Cylinder, complete	1	
50	--	Cylinder	1	
51	R086611	Bushing - Blower valve	1	
52	R086612	Valve - Blower	1	
53	R075777	Washer - Blower valve	1	
54	R075778	Spring - Blower valve	1	
55	R075780	Washer - Valve spring	1	
56	R076266	Pin - Spring	1	
57	R085611	Oil plug, complete	1	
58	R091176	Gasket - Oil plug	1	
59	--	Oil plug	1	
60	R042161	Bushing - Cylinder	1	
61	R086733	Nut - Chuck rotation	1	
62	R099374	Chuck, 7/8" x 31/4" (22 x 82.5 mm)	1	
63	R041321	Sleeve - Chuck, 7/8" x 31/4" (22 x 82.5 mm)	1	
64	R085756	Nut - Thru bolt	2	
65	R041320	Fronthead, 7/8" x 31/4" (22 x 82.5 mm)	1	
66	R093896	Tunnion - Retainer	2	
67	R093897	Buffer - Retainer	1	
68	R093898	Retainer - Latch shoe	1	
69	R093913	Retainer, 7/8" (22 mm)	1	

Comments for Page: CP 0032 A 3/8" x 3 1/4"

(L)OCAL REMARKS

A | 5/8" - 11

B | 1/8"

C | 1/4"

Refer to the Parts Online web page for most up-to-date information. The printed information might be outdated.